

# GRETA

GABRIEL  
TEIXIDÓ  
2016



**CARPYEN**  
BARCELONA

Carpylum70 S.L.  
C/ Pere IV 78-84 E-08005 Barcelona  
T +34 93 320 99 90

Spain: [comercial@carpyen.com](mailto:comercial@carpyen.com)  
Export: [export@carpyen.com](mailto:export@carpyen.com)  
Special project: [antony@carpyen.com](mailto:antony@carpyen.com)

# GRETA FLOOR LAMP



**CARPYEN**  
BARCELONA

Carpylum70 S.L.  
C/ Pere IV 78-84 E-08005 Barcelona  
T +34 93 320 99 90

Spain: [comercial@carpyen.com](mailto:comercial@carpyen.com)  
Export: [export@carpyen.com](mailto:export@carpyen.com)  
Special project: [antony@carpyen.com](mailto:antony@carpyen.com)



# GRETA FLOOR LAMP



**CARPYEN**  
BARCELONA

Carpylum70 S.L.  
C/ Pere IV 78-84 E-08005 Barcelona  
T +34 93 320 99 90

Spain: [comercial@carpyen.com](mailto:comercial@carpyen.com)  
Export: [export@carpyen.com](mailto:export@carpyen.com)  
Special project: [antony@carpyen.com](mailto:antony@carpyen.com)



# GRETA FLOOR LAMP



**CARPYEN**  
BARCELONA

Carpylum70 S.L.  
C/ Pere IV 78-84 E-08005 Barcelona  
T +34 93 320 99 90

Spain: [comercial@carpyen.com](mailto:comercial@carpyen.com)  
Export: [export@carpyen.com](mailto:export@carpyen.com)  
Special project: [antony@carpyen.com](mailto:antony@carpyen.com)



# GRETA FLOOR LAMP



**CARPYEN**  
BARCELONA

Carpylum70 S.L.  
C/ Pere IV 78-84 E-08005 Barcelona  
T +34 93 320 99 90

Spain: [comercial@carpyen.com](mailto:comercial@carpyen.com)  
Export: [export@carpyen.com](mailto:export@carpyen.com)  
Special project: [antony@carpyen.com](mailto:antony@carpyen.com)

# GRETA FLOOR LAMP

## Materiales / Materials Matériaux / Matters

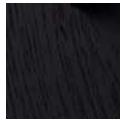
Estructura: Madera de roble con pantalla fibra natural o tela  
Structure: Oak wood with natural fiber or fabric shade  
Structure: Chêne avec abatjour en tissu ou de fibre naturelle  
Struktur: Eichenholz mit Naturfasern

Asa: Cuero  
Handle: Leather  
Poigné: Cuir  
Henkel: Leder

## Acabados / Finishes Finitions / Ausführung

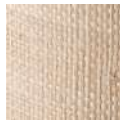


Roble natural  
Natural oak  
Chêne naturel  
Natürliche Eiche

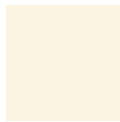


Roble negro  
Black oak  
Chêne noir  
Schwarze Eiche

## Pantallas / Shades Abat-jours / Schirm



Fibra natural  
Natural fiber  
Fibre naturelle  
Naturfasern



Lino: beige  
Linen: beige  
Lin: beige  
Leinen: beige



Blanco  
White  
Blanc  
Weiss

## LED

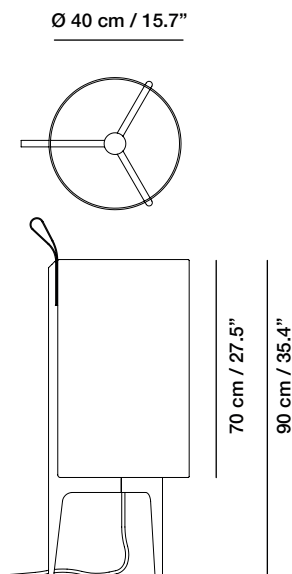
Sin bombilla / Without bulb /  
Sans ampoule / Ohne Glühbirne

E27 LED  
47 W / 220-240 V / 50-60 Hz

Regulable con interruptor  
Switch dimm  
Interrupteur dimmable  
Dimmbare schalter



## Medidas / Measures / Measurements / Mittengun



# GRETA TABLE LAMP



**CARPYEN**  
BARCELONA

Carpylum70 S.L.  
C/ Pere IV 78-84 E-08005 Barcelona  
T +34 93 320 99 90

Spain: [comercial@carpyen.com](mailto:comercial@carpyen.com)  
Export: [export@carpyen.com](mailto:export@carpyen.com)  
Special project: [antony@carpyen.com](mailto:antony@carpyen.com)



# GRETA TABLE LAMP



**CARPYEN**  
BARCELONA

Carpylum70 S.L.  
C/ Pere IV 78-84 E-08005 Barcelona  
T +34 93 320 99 90

Spain: [comercial@carpyen.com](mailto:comercial@carpyen.com)  
Export: [export@carpyen.com](mailto:export@carpyen.com)  
Special project: [antony@carpyen.com](mailto:antony@carpyen.com)



# GRETA TABLE LAMP



**CARPYEN**  
BARCELONA

Carpylum70 S.L.  
C/ Pere IV 78-84 E-08005 Barcelona  
T +34 93 320 99 90

Spain: [comercial@carpyen.com](mailto:comercial@carpyen.com)  
Export: [export@carpyen.com](mailto:export@carpyen.com)  
Special project: [antony@carpyen.com](mailto:antony@carpyen.com)



# GRETA TABLE LAMP



**CARPYEN**  
BARCELONA

Carpylum70 S.L.  
C/ Pere IV 78-84 E-08005 Barcelona  
T +34 93 320 99 90

Spain: [comercial@carpyen.com](mailto:comercial@carpyen.com)  
Export: [export@carpyen.com](mailto:export@carpyen.com)  
Special project: [antony@carpyen.com](mailto:antony@carpyen.com)



# GRETA TABLE LAMP

## Materiales / Materials Matériaux / Matters

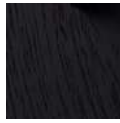
Estructura: Madera de roble con pantalla fibra natural o tela  
Structure: Oak wood with natural fiber o fabric shade  
Structure: Chêne avec abatjour en tissu ou de fibre naturelle  
Struktur: Eichenholz mit Naturfasern

Asa: Cuero  
Handle: Leather  
Poignéé: Cuir  
Henkel: Leder

## Acabados / Finishes Finitions / Ausführung

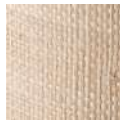


Roble natural  
Natural oak  
Chêne naturel  
Natürliche Eiche

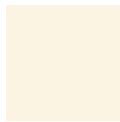


Roble negro  
Black oak  
Chêne noir  
Schwarze Eiche

## Pantallas / Shades Abat-jours / Schirm



Fibra natural  
Natural fiber  
Fibre naturelle  
Naturfasern



Lino: beige  
Linen: beige  
Lin: beige  
Leinen: beige



Blanco  
White  
Blanc  
Weiss

## LED

Equipado con interruptor  
Equipped with switch  
Equipé d'un interrupteur  
Mit Schalter

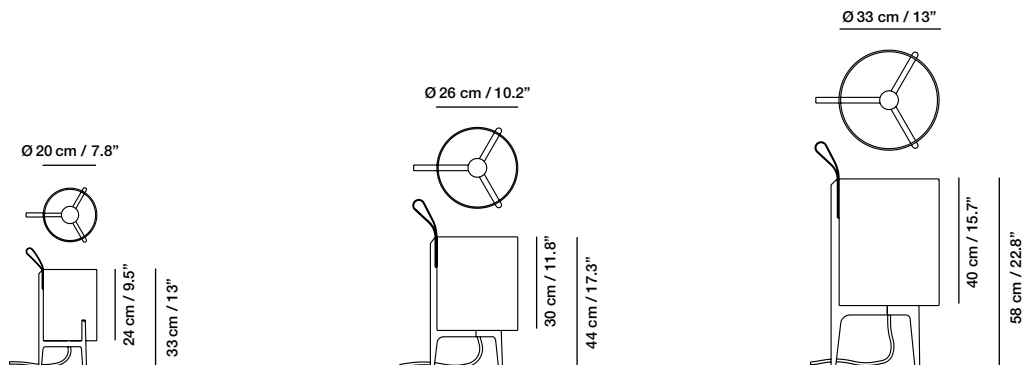
E27 LED  
Sin bombilla / Without bulb /  
Sans ampoule / Ohne Glühbirne

**Ø 20 cm / 7.8":**  
30 W / 220-240 V / 50-60 Hz

**Ø 26 cm / 10.2" - Ø 33 cm / 13":**  
47 W / 220-240 V / 50-60 Hz



## Medidas / Measures / Measurements / Mittengun



# GRETA BATTERY





# GRETA BATTERY



**CARPYEN**  
BARCELONA

Carpylum70 S.L.  
C/ Pere IV 78-84 E-08005 Barcelona  
T +34 93 320 99 90

Spain: [comercial@carpyen.com](mailto:comercial@carpyen.com)  
Export: [export@carpyen.com](mailto:export@carpyen.com)  
Special project: [antony@carpyen.com](mailto:antony@carpyen.com)

# GRETA BATTERY

## Materiales / Materials Matériaux / Matters

Estructura: Madera de roble con pantalla fibra natural o tela  
Structure: Oak wood with natural fiber or fabric shade  
Structure: Chêne avec abatjour en tissu ou de fibre naturelle  
Struktur: Eichenholz mit Naturfasern

Asa: Cuero  
Handle: Leather  
Poigné: Cuir  
Henkel: Leder

## Acabados / Finishes Finitions / Ausführung

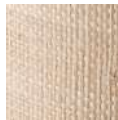


Roble natural  
Natural oak  
Chêne naturel  
Natürliche Eiche



Roble negro  
Black oak  
Chêne noir  
Schwarze Eiche

## Pantallas / Shades Abat-jours / Schirm



Fibra natural  
Natural fiber  
Fibre naturelle  
Naturfasern



Blanco  
White  
Blanc  
Weiss

## LED Integrado / Integrated / Intégré / Integriert

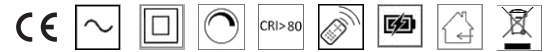
3,3 W / 100-240 V / 50-60 Hz  
500 Lumen / 3000 K / CRI 80

Mando a distancia incluido  
Remote control included  
Télécommande incluse  
Fernbedienung inklusive

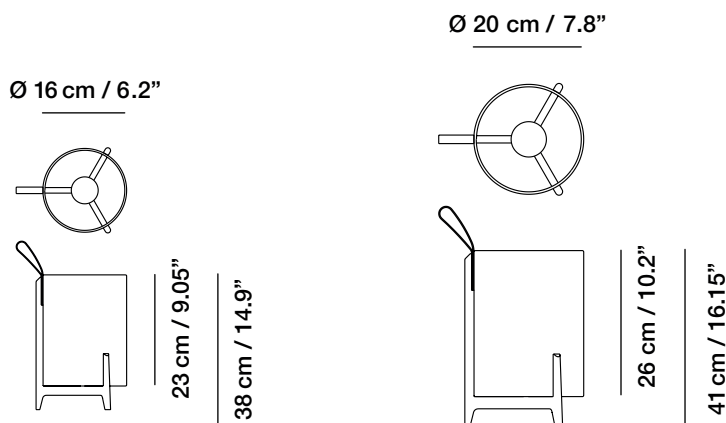
Regulable con interruptor  
Switch dimm  
Interrupteur dimmable  
Dimmbare schalter

Funcionamiento por batería.  
Recarga con usb+cargador /  
Battery operation. Recharging  
by usb + charger /  
Fonctionne avec batterie. Recharge  
avec usb + chargeur /  
Funktioniert mit Batterie. Lädt über usb  
(Kabel)

Batería: autonomía de 8 h aprox. /  
Battery: autonomy of 8 h approx. /  
Batterie: autonomie 8 h environ /  
Batterie: ungefähr 8 std. Autonomie



## Medidas / Measures / Measurements / Mittengun





# GRETA WALL LAMP



# GRETA WALL LAMP



**CARPYEN**  
BARCELONA

Carpylum70 S.L.  
C/ Pere IV 78-84 E-08005 Barcelona  
T +34 93 320 99 90

Spain: [comercial@carpyen.com](mailto:comercial@carpyen.com)  
Export: [export@carpyen.com](mailto:export@carpyen.com)  
Special project: [antony@carpyen.com](mailto:antony@carpyen.com)

# GRETA WALL LAMP

## Materiales / Materials Matériaux / Matters

Estructura: Madera de roble con pantalla fibra natural o tela  
Structure: Oak wood with natural fiber o fabric shade  
Structure: Chêne avec abatjour en tissu ou de fibre naturelle  
Struktur: Eichenholz mit Naturfasern

Asa: Cuero  
Handle: Leather  
Poigné: Cuir  
Henkel: Leder

## Acabados / Finishes Finitions / Ausführung



Roble natural  
Natural oak  
Chêne naturel  
Natürliche Eiche

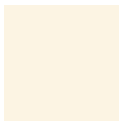


Roble negro  
Black oak  
Chêne noir  
Schwarze Eiche

## Pantallas / Shades Abat-jours / Schirm



Fibra natural  
Natural fiber  
Fibre naturelle  
Naturfasern



Lino: beige  
Linen: beige  
Lin: beige  
Leinen: beige



Blanco  
White  
Blanc  
Weiss

## LED

Sin bombilla / Without bulb /  
Sans ampoule / Ohne Glühbirne

E27 LED  
30 W / 220-240 V / 50-60 Hz



## Medidas / Measures / Measurements / Mittengun

