

GRETA

GABRIEL
TEIXIDÓ
2016



CARPYEN
BARCELONA

Carpylum70 S.L.
C/ Pere IV 78-84 E-08005 Barcelona
T +34 93 320 99 90

Spain: comercial@carpyen.com
Export: export@carpyen.com
Special project: antony@carpyen.com

GRETA FLOOR LAMP



CARPYEN
BARCELONA

Carpylum70 S.L.
C/ Pere IV 78-84 E-08005 Barcelona
T +34 93 320 99 90

Spain: comercial@carpyen.com
Export: export@carpyen.com
Special project: antony@carpyen.com

GRETA FLOOR LAMP



CARPYEN
BARCELONA

Carpylum70 S.L.
C/ Pere IV 78-84 E-08005 Barcelona
T +34 93 320 99 90

Spain: comercial@carpyen.com
Export: export@carpyen.com
Special project: antony@carpyen.com

GRETA FLOOR LAMP



CARPYEN
BARCELONA

Carpylum70 S.L.
C/ Pere IV 78-84 E-08005 Barcelona
T +34 93 320 99 90

Spain: comercial@carpyen.com
Export: export@carpyen.com
Special project: antony@carpyen.com

GRETA FLOOR LAMP



CARPYEN
BARCELONA

Carpylum70 S.L.
C/ Pere IV 78-84 E-08005 Barcelona
T +34 93 320 99 90

Spain: comercial@carpyen.com
Export: export@carpyen.com
Special project: antony@carpyen.com

GRETA FLOOR LAMP

Materiales / Materials Matériaux / Matters

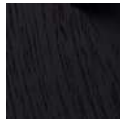
Estructura: Madera de roble con pantalla fibra natural o tela
Structure: Oak wood with natural fiber or fabric shade
Structure: Chêne avec abatjour en tissu ou de fibre naturelle
Struktur: Eichenholz mit Naturfasern

Asa: Cuero
Handle: Leather
Poigné: Cuir
Henkel: Leder

Acabados / Finishes Finitions / Ausführung

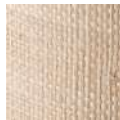


Roble natural
Natural oak
Chêne naturel
Natürliche Eiche

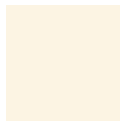


Roble negro
Black oak
Chêne noir
Schwarze Eiche

Pantallas / Shades Abat-jours / Schirm



Fibra natural
Natural fiber
Fibre naturelle
Naturfasern



Lino: beige
Linen: beige
Lin: beige
Leinen: beige



Blanco
White
Blanc
Weiss

LED

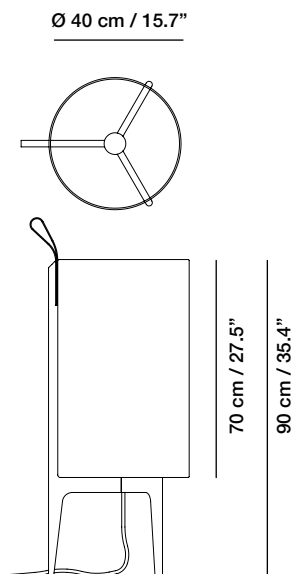
Sin bombilla / Without bulb /
Sans ampoule / Ohne Glühbirne

E27 LED
47 W / 220-240 V / 50-60 Hz

Regulable con interruptor
Switch dimm
Interrupteur dimmable
Dimmbare schalter



Medidas / Measures / Measurements / Mittengun



GRETA TABLE LAMP



CARPYEN
BARCELONA

Carpylum70 S.L.
C/ Pere IV 78-84 E-08005 Barcelona
T +34 93 320 99 90

Spain: comercial@carpyen.com
Export: export@carpyen.com
Special project: antony@carpyen.com

GRETA TABLE LAMP



CARPYEN
BARCELONA

Carpylum70 S.L.
C/ Pere IV 78-84 E-08005 Barcelona
T +34 93 320 99 90

Spain: comercial@carpyen.com
Export: export@carpyen.com
Special project: antony@carpyen.com

GRETA TABLE LAMP



CARPYEN
BARCELONA

Carpvellum70 S.L.
C/ Pere IV 78-84 E-08005 Barcelona
T +34 93 320 99 90

Spain: comercial@carpyen.com
Export: export@carpyen.com
Special project: antony@carpyen.com

GRETA TABLE LAMP



CARPYEN
BARCELONA

Carpylum70 S.L.
C/ Pere IV 78-84 E-08005 Barcelona
T +34 93 320 99 90

Spain: comercial@carpyen.com
Export: export@carpyen.com
Special project: antony@carpyen.com

GRETA TABLE LAMP

Materiales / Materials Matériaux / Matters

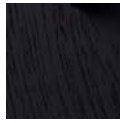
Estructura: Madera de roble con pantalla fibra natural o tela
Structure: Oak wood with natural fiber o fabric shade
Structure: Chêne avec abatjour en tissu ou de fibre naturelle
Struktur: Eichenholz mit Naturfasern

Asa: Cuero
Handle: Leather
Poignéé: Cuir
Henkel: Leder

Acabados / Finishes Finitions / Ausführung

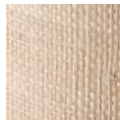


Roble natural
Natural oak
Chêne naturel
Natürliche Eiche

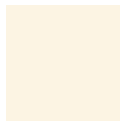


Roble negro
Black oak
Chêne noir
Schwarze Eiche

Pantallas / Shades Abat-jours / Schirm



Fibra natural
Natural fiber
Fibre naturelle
Naturfasern



Lino: beige
Linen: beige
Lin: beige
Leinen: beige



Blanco
White
Blanc
Weiss

LED

Equipado con interruptor
Equipped with switch
Equipé d'un interrupteur
Mit Schalter

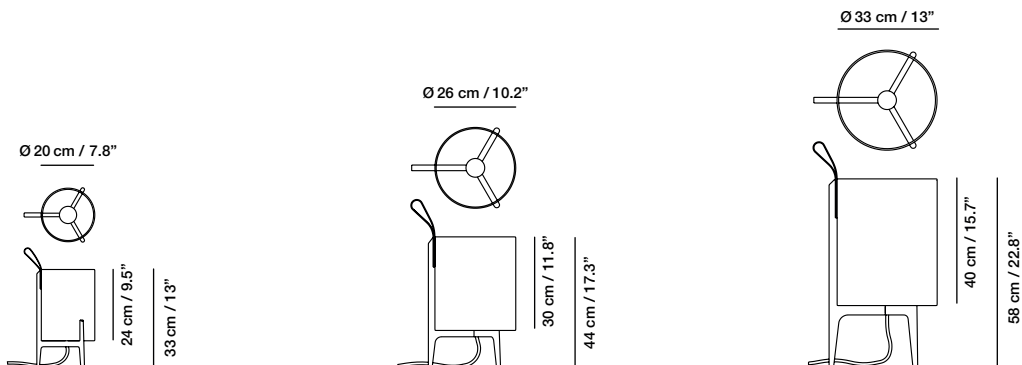
E27 LED
Sin bombilla / Without bulb /
Sans ampoule / Ohne Glühbirne

Ø 20 cm / 7.8":
30 W / 220-240 V / 50-60 Hz

Ø 26 cm / 10.2" - Ø 33 cm / 13":
47 W / 220-240 V / 50-60 Hz



Medidas / Measures / Measurements / Mittengun



GRETA BATTERY



GRETA BATTERY



CARPYEN
BARCELONA

Carpylum70 S.L.
C/ Pere IV 78-84 E-08005 Barcelona
T +34 93 320 99 90

Spain: comercial@carpyen.com
Export: export@carpyen.com
Special project: antony@carpyen.com

GRETA BATTERY

Materiales / Materials Matériaux / Matters

Estructura: Madera de roble con pantalla fibra natural o tela
Structure: Oak wood with natural fiber or fabric shade
Structure: Chêne avec abatjour en tissu ou de fibre naturelle
Struktur: Eichenholz mit Naturfasern

Asa: Cuero
Handle: Leather
Poigné: Cuir
Henkel: Leder

Acabados / Finishes Finitions / Ausführung

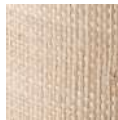


Roble natural
Natural oak
Chêne naturel
Natürliche Eiche



Roble negro
Black oak
Chêne noir
Schwarze Eiche

Pantallas / Shades Abat-jours / Schirm



Fibra natural
Natural fiber
Fibre naturelle
Naturfasern



Blanco
White
Blanc
Weiss

LED Integrado / Integrated / Intégré / Integriert

3,3 W / 100-240 V / 50-60 Hz
500 Lumen / 3000 K / CRI 80

Mando a distancia incluido
Remote control included
Télécommande incluse
Fernbedienung inklusive

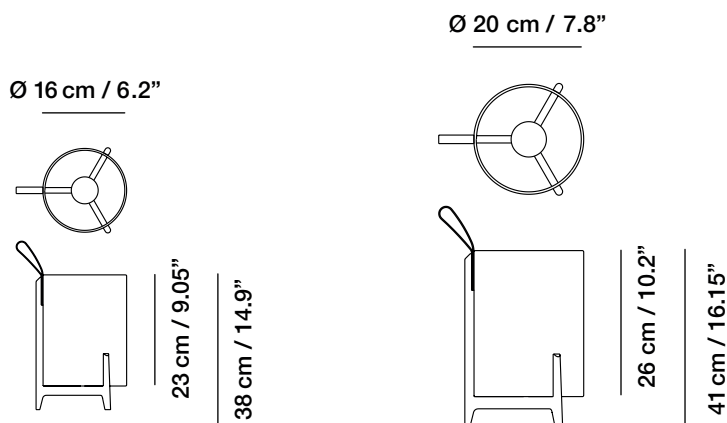
Regulable con interruptor
Switch dimm
Interrupteur dimmable
Dimmbare schalter

Funcionamiento por batería.
Recarga con usb+cargador /
Battery operation. Recharging
by usb + charger /
Fonctionne avec batterie. Recharge
avec usb + chargeur /
Funktioniert mit Batterie. Lädt über usb
(Kabel)

Batería: autonomía de 8 h aprox. /
Battery: autonomy of 8 h approx. /
Batterie: autonomie 8 h environ /
Batterie: ungefähr 8 std. Autonomie



Medidas / Measures / Measurements / Mittengun



GRETA WALL LAMP



GRETA WALL LAMP



CARPYEN
BARCELONA

Carpylum70 S.L.
C/ Pere IV 78-84 E-08005 Barcelona
T +34 93 320 99 90

Spain: comercial@carpyen.com
Export: export@carpyen.com
Special project: antony@carpyen.com

GRETA WALL LAMP

Materiales / Materials Matériaux / Matters

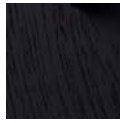
Estructura: Madera de roble con pantalla fibra natural o tela
Structure: Oak wood with natural fiber o fabric shade
Structure: Chêne avec abatjour en tissu ou de fibre naturelle
Struktur: Eichenholz mit Naturfasern

Asa: Cuero
Handle: Leather
Poigné: Cuir
Henkel: Leder

Acabados / Finishes Finitions / Ausführung

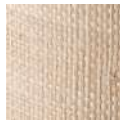


Roble natural
Natural oak
Chêne naturel
Natürliche Eiche

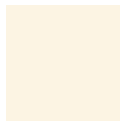


Roble negro
Black oak
Chêne noir
Schwarze Eiche

Pantallas / Shades Abat-jours / Schirm



Fibra natural
Natural fiber
Fibre naturelle
Naturfasern



Lino: beige
Linen: beige
Lin: beige
Leinen: beige



Blanco
White
Blanc
Weiss

LED

Sin bombilla / Without bulb /
Sans ampoule / Ohne Glühbirne

E27 LED
30 W / 220-240 V / 50-60 Hz



Medidas / Measures / Measurements / Mittengun

