

Burk Head

700FJBRK_ 1.0



GENERAL PRODUCT INFORMATION:

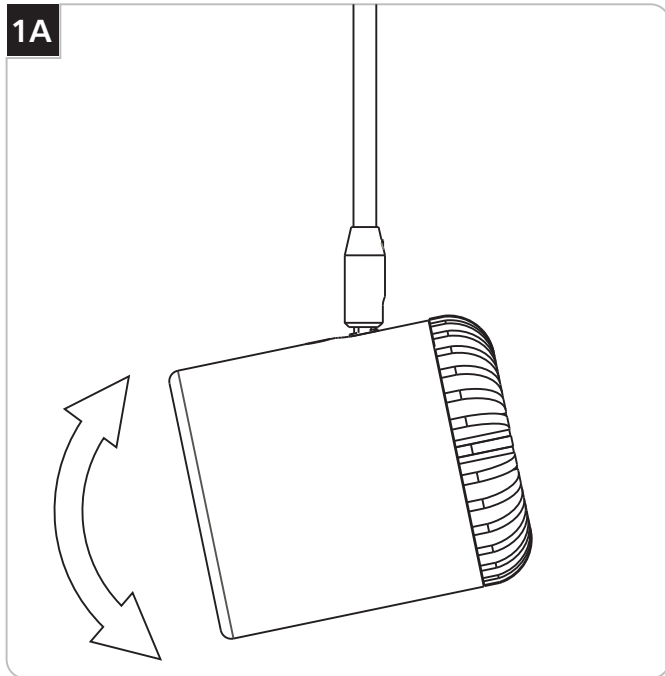


This product is ETL listed and suitable only for indoor dry locations and approved for use at any height above the finished floor.

CAUTION: To reduce the risk of a burn or electric shock during accessory installation, disconnect the power to the fixture.

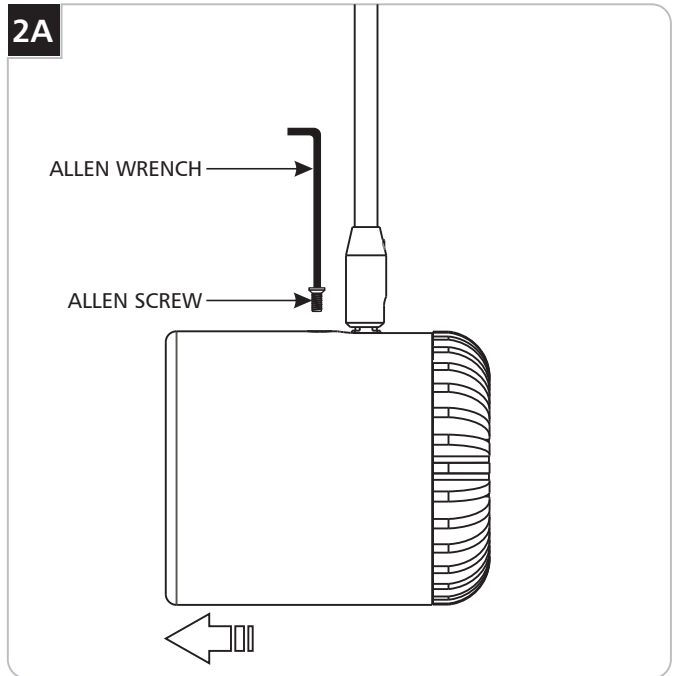


Adjust the Fixture



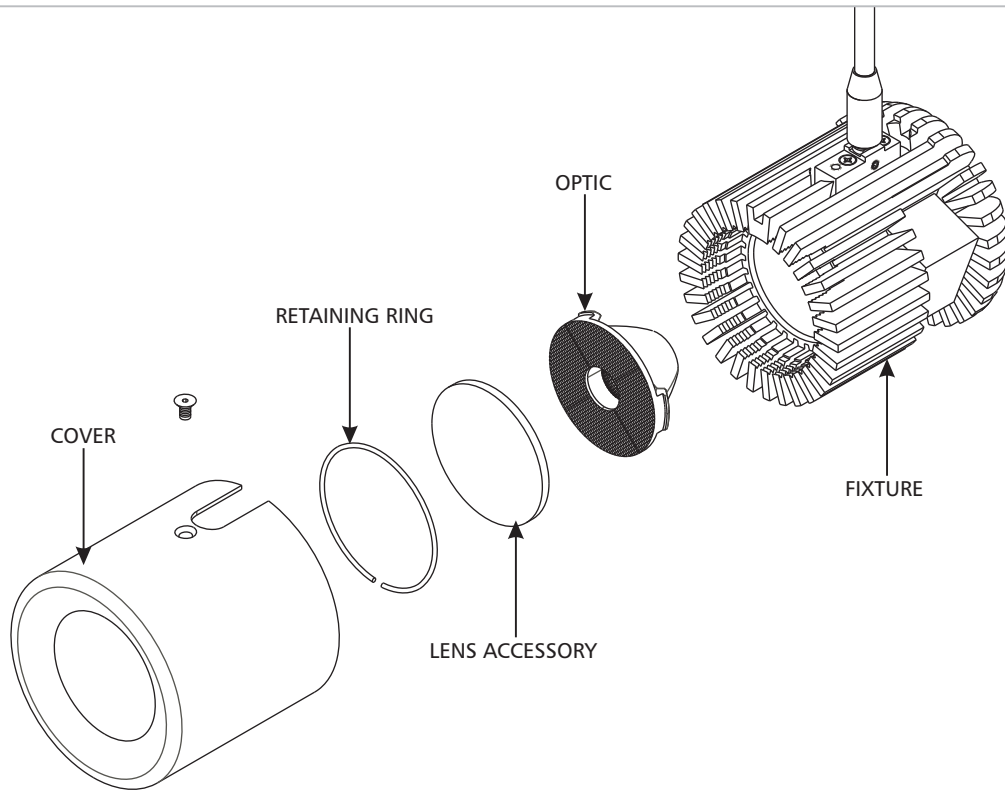
1 Tilt the fixture head to the desired position.

Lenses and Optics (Optional)



1 If installing or replacing lens accessory or replacing the optic, remove the cover by unscrewing the Allen screw from the top of the fixture using the provided Allen wrench.

2B



- 2 Remove the retaining ring.
- 3 Install and/or replace lens or optic; ensure the optic is installed first followed by the lens. **NOTE: A maximum of two lenses can be installed.**
- 4 Squeeze the retaining ring so that the two ends are touching, and then insert it into the fixture to secure the lens and optic in place.
- 5 Reinstall the cover (reversal of step 2A).

SAVE THESE INSTRUCTIONS!



TECH LIGHTING®

7400 Linder Ave, Skokie, IL 60077

847.410.4400

www.techlighting.com

© 2015 Tech Lighting, L.L.C. All rights reserved. The "Tech Lighting" graphic is a registered trademark of Tech Lighting, L.L.C. Tech Lighting reserves the right to change specifications for product improvements without notification.

A Generation Brands Company