

B.lux

SCOUT S

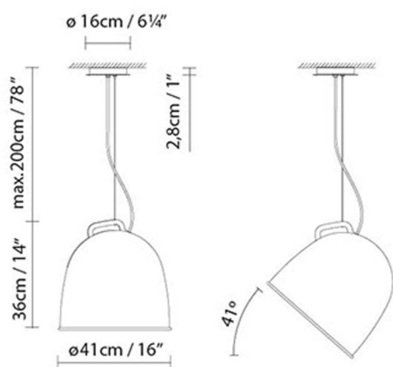
By Stone Designs



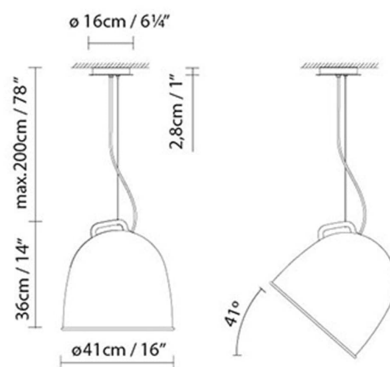
Description:

Adjustable suspension lamp with a metal structure and opaline glass diffuser. Finishes: Textured matte beige, textured matte red, or textured matte grey, each with a textured white interior. Available in two sizes.

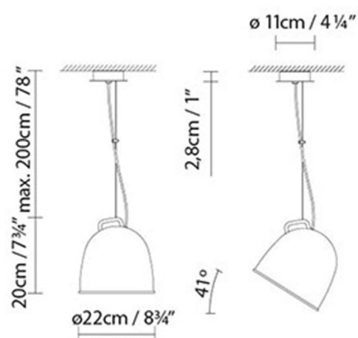
SCOUT S40 LED



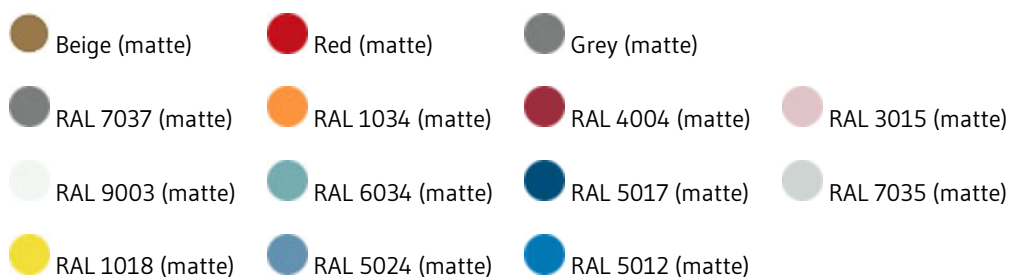
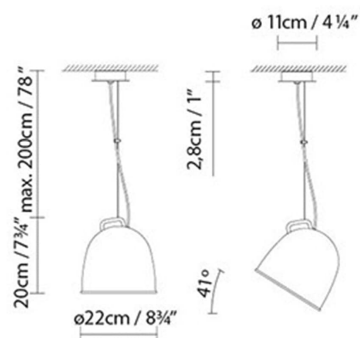
SCOUT S40



SCOUT S22



SCOUT S22 (E14)



CODE	LAMP	LIGHTSOURCE	DIM	BULB	kg
726350U	SCOUT S22 (E12) BEIGE				
726351U	SCOUT S22 (E12) RED	LED 2 x 5W (E12)	A++	1.64	LED A+
726352U	SCOUT S22 (E12) GREY	Fluo/CFL 2 x max. 11W (E12)	A		A
726353U	SCOUT S22 (E12) +	Inc. 2 x max. 40W (E12)			
726300U	SCOUT S40 (E26) BEIGE				
726301U	SCOUT S40 (E26) RED	LED 2 x 11W (E26)	A++	4.5	LED A+
726302U	SCOUT S40 (E26) GREY	Fluo/CFL 2 x max. 20W (E26)	A		A
726303U	SCOUT S40 (E26) +	Inc. 2 x 70W (E26)			



Designer

Technical drawing

3D

Assembly instructions

Configurator

Fotometría