

B.lux

NITE S

By Jorge Pensi



Description:

Blown glass suspension lamp. Available with an opaline white shade with a silver textile cable.

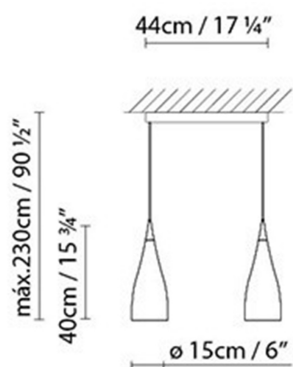
NITE S1 GREY



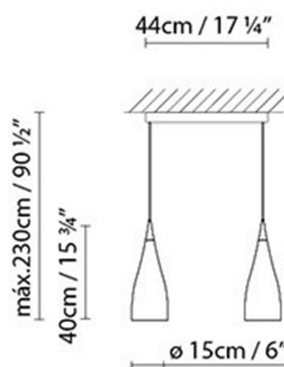
NITE S1 OPAL



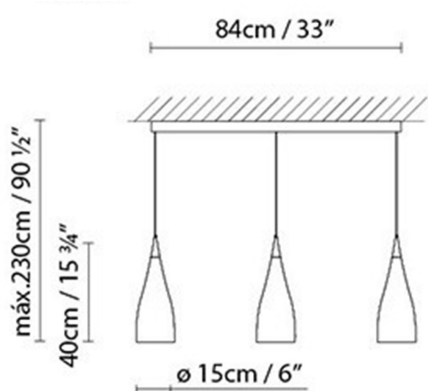
NITE S2 GREY



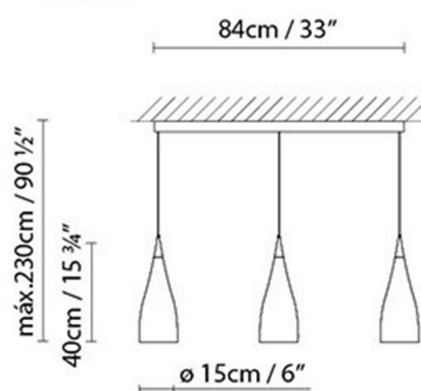
NITE S2 OPAL



NITE S3 GREY



NITE S3 OPAL



Opal white

CODE	LAMP	LIGHT SOURCE	DIM	BULB	kg	
619300U	NITE S1 OPAL	LED 13W (E26) Fluo/CFL 23W (E26) Inc. max. 100W (E26)	A++ A		1.5	LED A+ A
619310U	NITE SINGLE SUSPENSION	LED 13W (E26) Fluo/CFL 23W (E26) Inc. max. 100W (E26)	A++ A		2.3	LED A+ A
619320U	NITE TRACK 2E					
619330U	NITE TRACK 3E					



Designer

Technical drawing

3D