

B.lux

LITE HOLE C/W

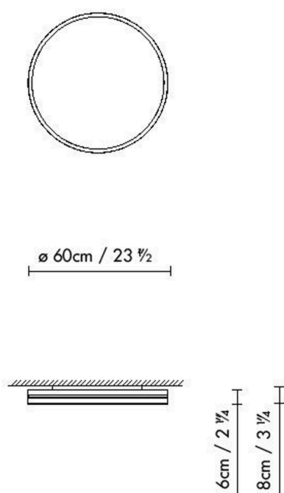
By David Abad



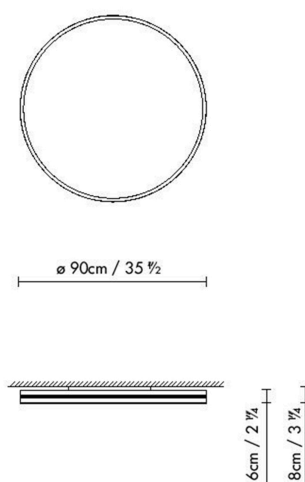
Description:

Large ceiling and wall lamp consisting of two concentric and opposing aluminum hoops that make up a short, circular lighting body. It is manufactured in two large sizes, with diameters of 120 and 90 centimetres, as well as in a 60-cm size. They all feature an acrylic opal diffuser that contains a direct-emitting and dimmable LED light source that is completely glare-free. Lite Hole is available in matte white, matte black, copper, gold and polished aluminum finishes.

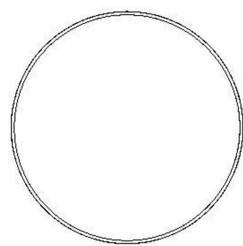
LITE HOLE C/W60



LITE HOLE C/W90



LITE HOLE C/W120



ø 120cm / 47 1/4



6cm / 2 3/8
8cm / 3 1/8

- Black (matte)
- Copper
- Gold
- White (matte)

CODE	LAMP	LIGHT SOURCE	DIM		BULB	
755411U	LITE HOLE C/W 60 WHITE					
755412U	LITE HOLE C/W 60 BLACK	LED 17,4W 3416lm 150mA 3000K CRI≥90 120V	0/10V	A++		7,9 LED A+
755413U	LITE HOLE C/W 60 GOLD					
755414U	LITE HOLE C/W 60 COPPER					
755431U	LITE HOLE C/W 90 WHITE					
755432U	LITE HOLE C/W 90 BLACK	LED 41W 7960lm 350mA 3000K CRI≥90 120V	0/10V	A++		13 LED A+
755433U	LITE HOLE C/W 90 GOLD					
755434U	LITE HOLE C/W 90 COPPER					
755451U	LITE HOLE C/W 120 WHITE					
755452U	LITE HOLE C/W 120 BLACK	LED 19,5W 3664lm 225mA + LED 41W 7960lm 350mA 3000K CRI≥90 120V	0/10V	A++		25 LED A+
755453U	LITE HOLE C/W 120 GOLD					
755454U	LITE HOLE C/W 120 COPPER					

-
-
-
-
-
- LITE HOLE C/W
- LITE HOLE S

Collection:



Designer

Technical drawing