

# B.lux

## BOWEE S

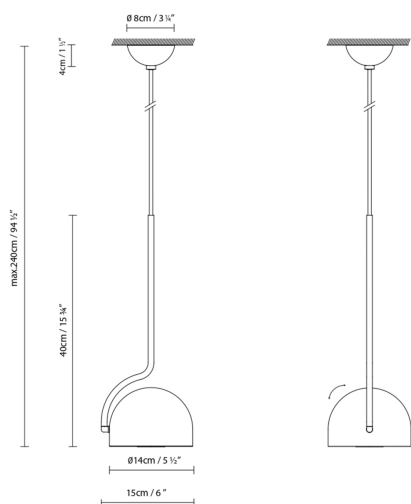
By Werner Aisslinger



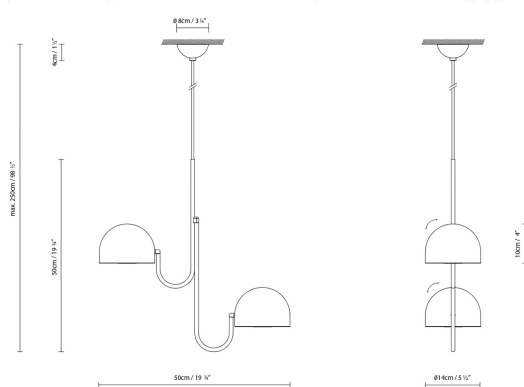
### Description:

LED suspension lamp made with half-sphere shades, available as vertical (S) or horizontal (SH). Bowee S is available with either one shade (S1) or two shades (S2). Bowee SH comes with four shades (SH4) or six shades (SH6). All light sources can be positioned on the horizontal axis and give diffused light. Available in metallic English bronze, matte turquoise and matte beige.

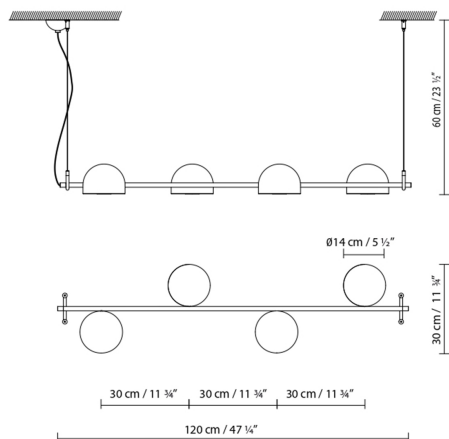
### BOWEE S1



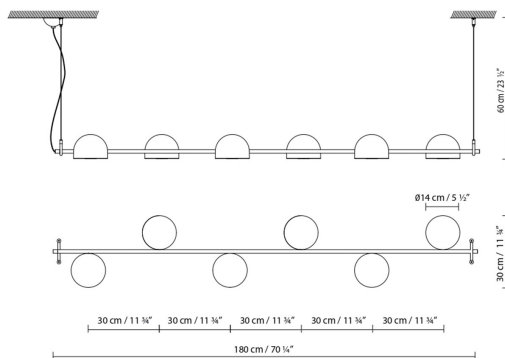
### BOWEE S2



## BOWEE SH4



## BOWEE SH6

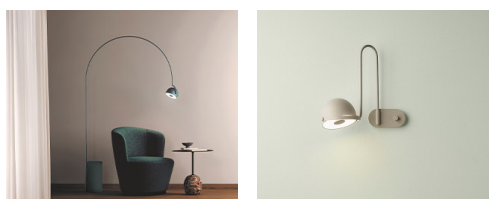


- Beige
- Clear turquoise
- English metallic bronze

CODE	LAMP	LIGHT SOURCE	DIM	BULB	kg
758300U	<b>BOWEE S1</b> BEIGE				
758301U	<b>BOWEE S1</b> CLEAR TURQUOISE	LED 8W 1050lm 2700K CRI≥90	A++		<b>LED A+</b>
758302U	<b>BOWEE S1</b> BLACK GREEN				
758320U	<b>BOWEE S2</b> BEIGE				
758321U	<b>BOWEE S2</b> CLEAR TURQUOISE	LED 2 x 8W 1050lm 2700K CRI≥90	A++		<b>LED A+</b>
758322U	<b>BOWEE S2</b> BLACK GREEN				
758350U	<b>BOWEE SH4</b> BEIGE				
758351U	<b>BOWEE SH4</b> CLEAR TURQUOISE	LED 4 x 8W 1050lm 2700K CRI≥90	A++		<b>LED A+</b>
758352U	<b>BOWEE SH4</b> BLACK GREEN				
758360U	<b>BOWEE SH6</b> BEIGE				
758361U	<b>BOWEE SH6</b> CLEAR TURQUOISE	LED 6 x 8W 1050lm 2700K CRI≥90	A++		<b>LED A+</b>
758362U	<b>BOWEE SH6</b> BLACK GREEN				

- 
- 
- 
- 
- 
- 
- 

## Collection:



Designer

Instrucciones de montaje

Instrucciones de montaje

