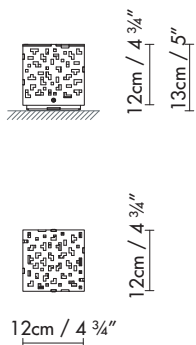
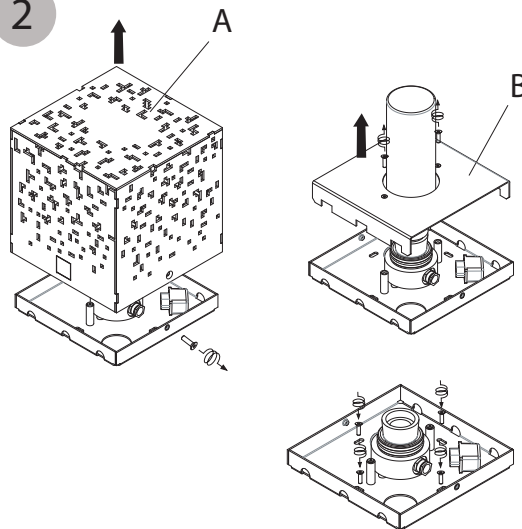


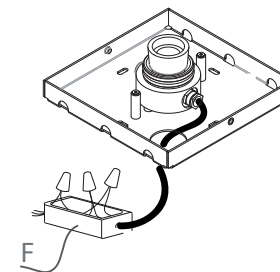
1



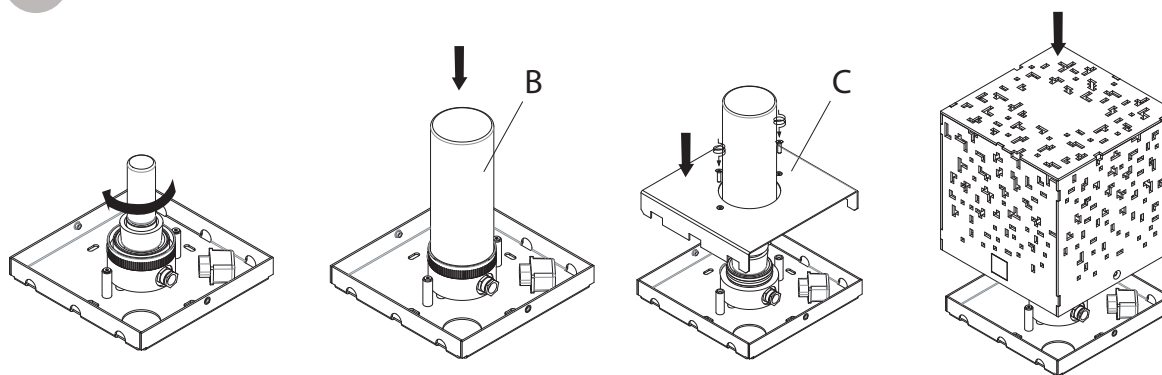
2



3



4



1. General sizes of the lamps.
2. Loose lateral screws and open the body A. Loose the trim B. To realize the holes in the floor use the base as a guide. Introduce the 4 screws and tighten.
3. Make connections in the junction box "F".
4. Take away the glass and put the bulb into the lampholder, place the glass (B), tighten the trim (C) and the body (A).

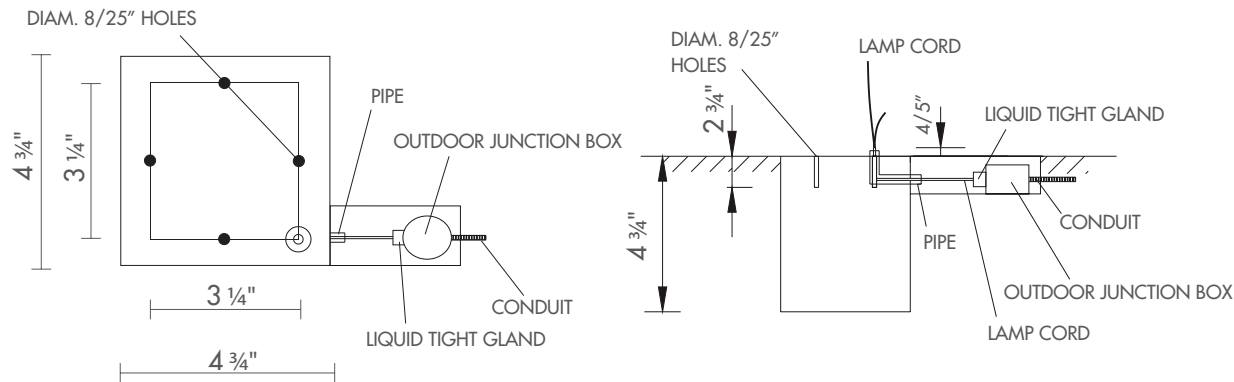
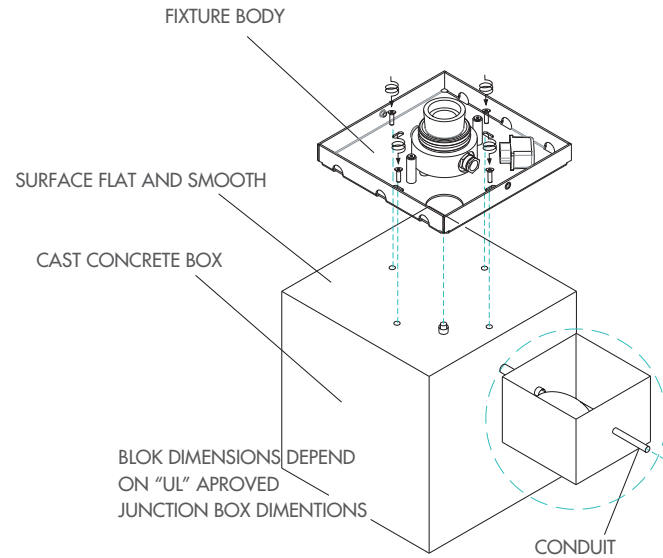
READ AND UNDERSTAND THESE INSTRUCTIONS BEFORE INSTALLING FIXTURE

This fixture is intended for installation in accordance with the National Electrical Code and local regulations. To assure full compliance with local codes and regulations, check with your local electrical inspector before installation. To prevent electrical shock, turn off electricity at fuse box before proceeding. Retain these instructions for maintenance reference

PRE-INSTALLATION PREPARATIONS

- CAST CONCRETE BLOCK 4 3/4" LONG, 4 3/4" WIDTH AND 4 3/4" DEEP WITH THE TOP LEVEL WITH THE GROUND. MAKE PLACE FOR THE "UL" APPROVED JUNCTION BOX, WHICH DIMENTIONS SHOULD VARY ACCORDING TO JUNCTION BOX DIMENTION, LEAVING PLACE BETWEEN JUNCTION BOX AND FIXTURE.
- BLOCK SHOULD INCLUDE (4) 8/25" IN DIAMETER AND 2 3/4" DEEP HOLES, MAKE THEM IN A DISTANCE 3 1/4" LONG, 3 1/4" WIDTH FROM EACH OTHER.
- BLOCK SHOULD ALSO INCLUDE A 1/3" STEEL CONDUIT WITH AWG RATED WIRING RUNNING THROUGH IT. STEEL CONDUIT SHOULD BE SETTED BETWEEN 2 OF THE HOLES, AT 3 3/25" FROM EACH HOLE, IN THE MIDDLE OF THE IMMAGINARY LINE WHICH CONNECTS THEM. THE STEEL CONDUIT SHOULD PROJECT ABOUT 4/5" ABOVE TOP OF CONCRETE BLOCK.

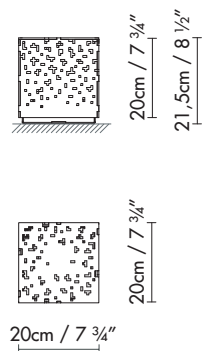
NOTE: TOP SURFACE OF CONCRETE BLOCK ON WICH FIXTURE WILL BE MOUNTED HAS TO BE LEVEL AND VERY SMOOTH IN ORDER TO MAKE A WATER-TIGHT SEAL.



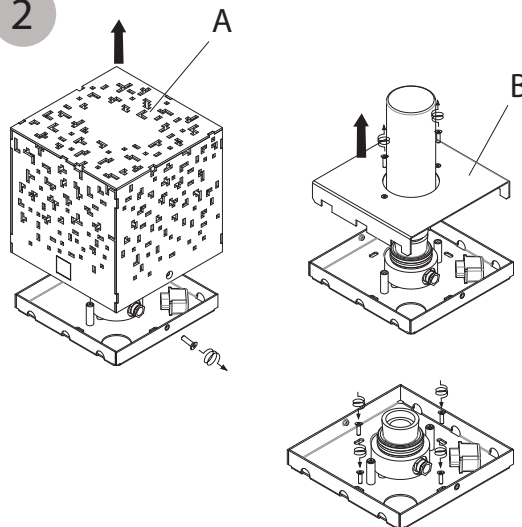
Consumer information :

- Lamp designed for general use outside.
- Protection for people and animals against electric shocks is ensured by a single electric insulation and by the earth conductor after it has been suitably connected.
- The safety of this light is guaranteed with a bulb, the power of which must not exceed that visibly indicated on the light.
- The minimun connection wire must be SVT 18AWG.

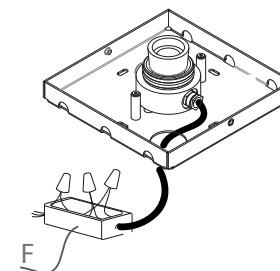
1



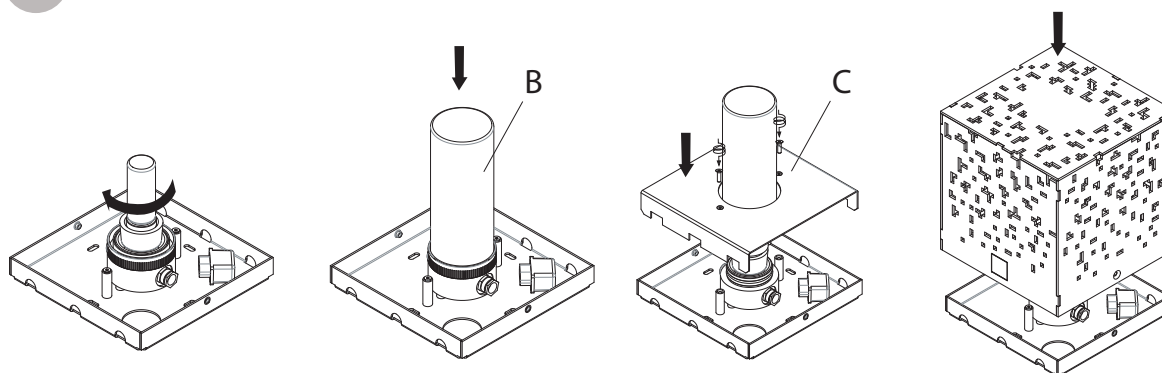
2



3



4



1. General sizes of the lamps.
2. Loose lateral screws and open the body A. Loose the trim B. To realize the holes in the floor use the base as a guide. Introduce the 4 screws and tighten.
3. Make connections in the junction box "F".
4. Take away the glass and put the bulb into the lampholder, place the glass (B), tighten the trim (C) and the body (A).

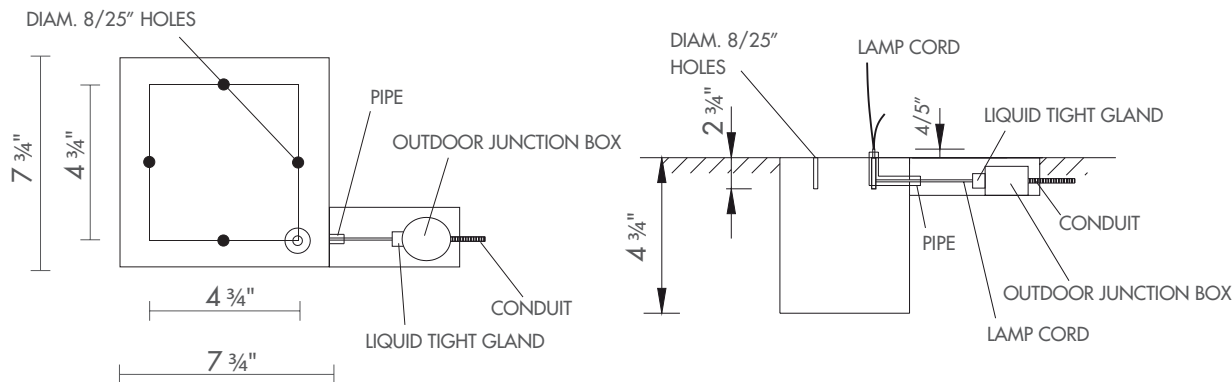
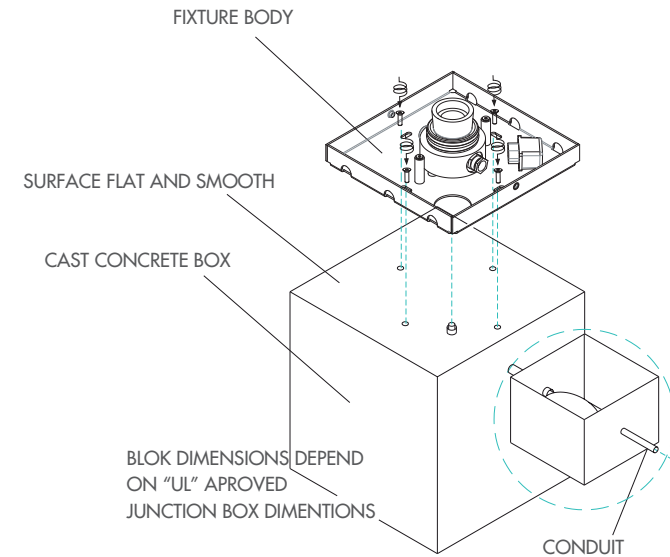
READ AND UNDERSTAND THESE INSTRUCTIONS BEFORE INSTALLING FIXTURE

This fixture is intended for installation in accordance with the National Electrical Code and local regulations. To assure full compliance with local codes and regulations, check with your local electrical inspector before installation. To prevent electrical shock, turn off electricity at fuse box before proceeding. Retain these instructions for maintenance reference

PRE-INSTALLATION PREPARATIONS

- CAST CONCRETE BLOCK 7 3/4" LONG, 7 3/4" WIDTH AND 4 3/4" DEEP WITH THE TOP LEVEL WITH THE GROUND. MAKE PLACE FOR THE "UL" APPROVED JUNCTION BOX, WHICH DIMENSIONS SHOULD VARY ACCORDING TO JUNCTION BOX DIMENTION, LEAVING PLACE BETWEEN JUNCTION BOX AND FIXTURE.
- BLOCK SHOULD INCLUDE (4) 8/25" IN DIAMETER AND 2 3/4" DEEP HOLES, MAKE THEM IN A DISTANCE 3 1/4" LONG, 3 1/4" WIDTH FROM EACH OTHER.
- BLOCK SHOULD ALSO INCLUDE A 1/3" STEEL CONDUIT WITH AWG RATED WIRING RUNNING THROUGH IT. STEEL CONDUIT SHOULD BE SETTED BETWEEN 2 OF THE HOLES, AT 3 3/25" FROM EACH HOLE, IN THE MIDDLE OF THE IMMAGINARY LINE WHICH CONNECTS THEM. THE STEEL CONDUIT SHOULD PROJECT ABOUT 4/5" ABOVE TOP OF CONCRETE BLOCK.

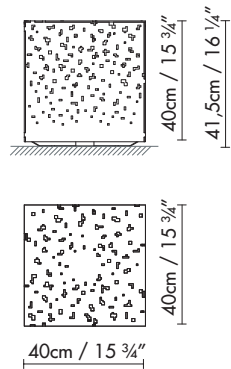
NOTE: TOP SURFACE OF CONCRETE BLOCK ON WICH FIXTURE WILL BE MOUNTED HAS TO BE LEVEL AND VERY SMOOTH IN ORDER TO MAKE A WATER-TIGHT SEAL.



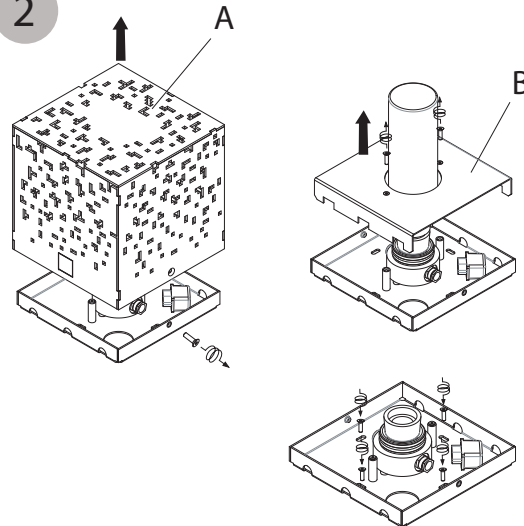
Consumer information :

- Lamp designed for general use outside.
- Protection for people and animals against electric shocks is ensured by a single electric insulation and by the earth conductor after it has been suitably connected.
- The safety of this light is guaranteed with a bulb, the power of which must not exceed that visibly indicated on the light.
- The minimum connection wire must be SVT 18AWG.

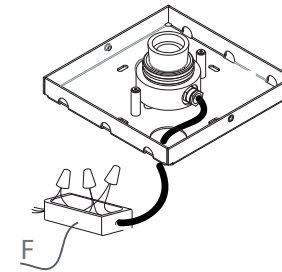
1



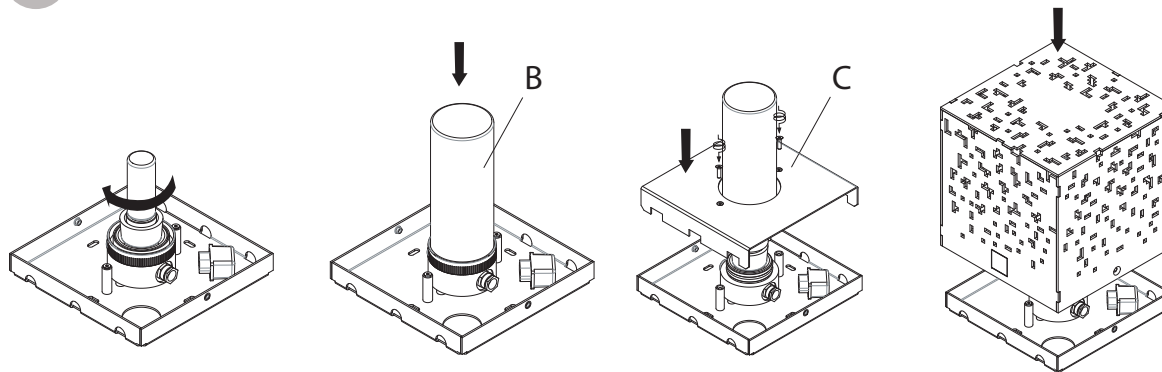
2



3



4



1. General sizes of the lamps.
2. Loose lateral screws and open the body A. Loose the trim B. To realize the holes in the floor use the base as a guide. Introduce the 4 screws and tighten.
3. Make connections in the junction box "F".
4. Take away the glass and put the bulb into the lampholder, place the glass (B), tighten the trim (C) and the body (A).

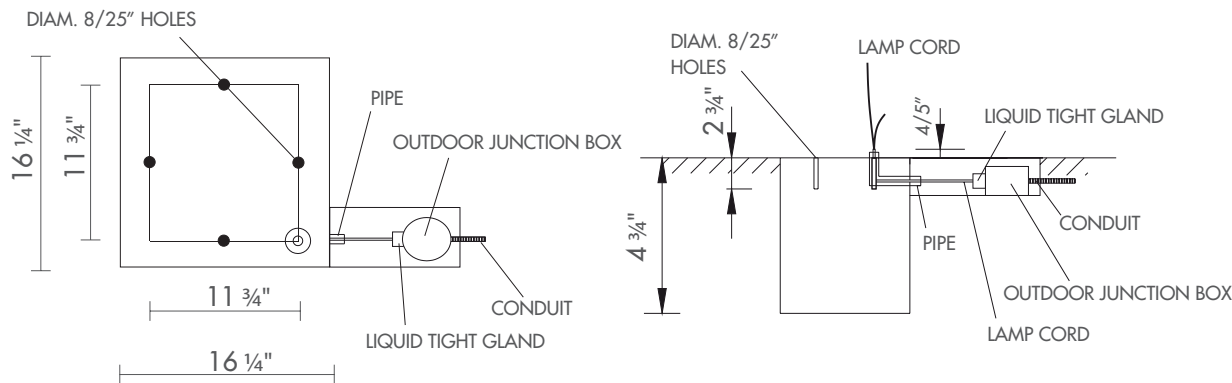
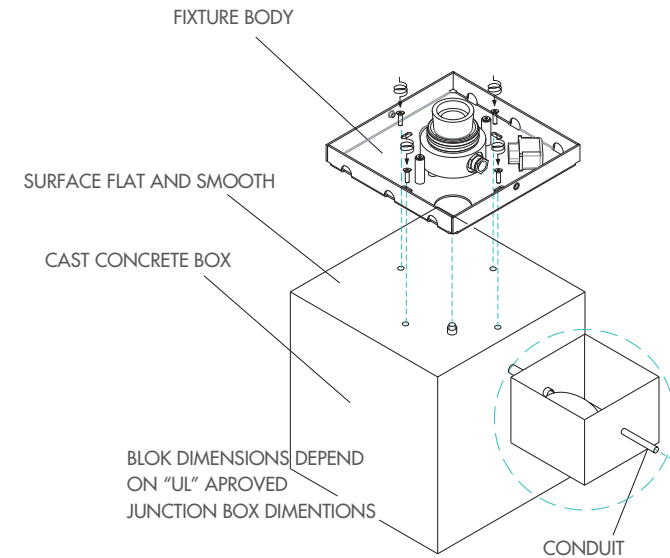
READ AND UNDERSTAND THESE INSTRUCTIONS BEFORE INSTALLING FIXTURE

This fixture is intended for installation in accordance with the National Electrical Code and local regulations. To assure full compliance with local codes and regulations, check with your local electrical inspector before installation. To prevent electrical shock, turn off electricity at fuse box before proceeding. Retain these instructions for maintenance reference

PRE-INSTALLATION PREPARATIONS

- CAST CONCRETE BLOCK 11 3/4" LONG, 11 3/4" WIDTH AND 4 3/4" DEEP WITH THE TOP LEVEL WITH THE GROUND. MAKE PLACE FOR THE "UL" APPROVED JUNCTION BOX, WHICH DIMENTIONS SHOULD VARY ACCORDING TO JUNCTION BOX DIMENTION, LEAVING PLACE BETWEEN JUNCTION BOX AND FIXTURE.
- BLOCK SHOULD INCLUDE (4) 8/25" IN DIAMETER AND 2 3/4" DEEP HOLES, MAKE THEM IN A DISTANCE 3 1/4" LONG, 3 1/4" WIDTH FROM EACH OTHER.
- BLOCK SHOULD ALSO INCLUDE A 1/3" STEEL CONDUIT WITH AWG RATED WIRING RUNNING THROUGH IT. STEEL CONDUIT SHOULD BE SETTED BETWEEN 2 OF THE HOLES, AT 3 3/25" FROM EACH HOLE, IN THE MIDDLE OF THE IMMAGINARY LINE WHICH CONNECTS THEM. THE STEEL CONDUIT SHOULD PROJECT ABOUT 4/5" ABOVE TOP OF CONCRETE BLOCK.

NOTE: TOP SURFACE OF CONCRETE BLOCK ON WICH FIXTURE WILL BE MOUNTED HAS TO BE LEVEL AND VERY SMOOTH IN ORDER TO MAKE A WATER-TIGHT SEAL.



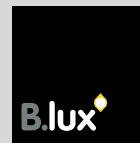
Consumer information :

- Lamp designed for general use outside.
- Protection for people and animals against electric shocks is ensured by a single electric insulation and by the earth conductor after it has been suitably connected.
- The safety of this light is guaranteed with a bulb, the power of which must not exceed that visibly indicated on the light.
- The minimun connection wire must be SVT 18AWG.

Consumer information:

- Lamps without the IP mark are classed as IP20 and are designed for general interior use, except wet areas (bathrooms, etc.)
- Lamps with the IP mark are designed for exterior use and in wet areas. (E.g. IP54)
- They offer guaranteed protection to people and animals against electrical discharge:
 - Class I: through single electrical insulation and an earthing conductor once correctly connected.
 - ◻ • Class II: through double electrical insulation.
 - ◊ • Class III: these kinds of lamps should be connected at very low voltage levels (generally 12V); therefore there is no risk.
- ▽ • Lamps with this symbol, or without any symbols, can be mounted directly onto normally inflammable surfaces.
- ⊗ • Lamps with this symbol cannot be mounted directly onto normally inflammable surfaces.
 - The safety of this lamp is guaranteed by using a maximum wattage bulb that does not exceed the figure displayed visibly on the lamp.
- ♻️ • The product cannot be treated like conventional domestic waste; it must be taken to the corresponding recycling point for electrical and electronic equipment.

Assembly instructions



B.LUX S.A.

Pol. Ind. Okamika, pab. 1
48289 Gizaburuaga (Bizkaia) Spain
T. (+34) 94 682 72 72
F. (+34) 94 682 49 02
info@grupoblux.com
www.grupoblux.com