

INSTALLATION INSTRUCTION

Item#P1741/P1742-286-L (New. 2020/3/18)

READ AND SAVE THESE INSTRUCTIONS

WARNING! SHUT POWER OFF AT FUSE OR CIRCUIT BREAKER.

AVERTISSEMENT! COUPER LE COURANT AU NIVEAU DES FUSIBLES OU DU DISJONCTEUR.

PREPARATION (Fig. 1)

1. Shut of power at the fuse box or circuit breaker box and remove the old fixture including the mounting hardware.
2. Carefully unpack your new fixture and lay out all the parts in a clean area. Take care not to misplace any small parts necessary for installation.
3. Unscrew screws (C) and plastic washers (D). Separate the mounting plate (B) from the fixture body (E). Attach mounting plate (B) using the mounting screws (A) (Size: #8-32N*L0.5") to the junction box. The side of the mounting plate marked "GND" must face out.

CONNECTING THE WIRES (Fig. 2)

4. Connect the electrical wires as shown in Fig. 2, making sure that all wire connectors are secured. If your outlet box has a ground wire (green or bare copper), connect the fixture's ground wire to it. Otherwise, connect the fixture's ground wire directly to the mounting plate (B) using the green screw provided. After wires are connected, tuck them carefully inside the junction box.

COMPLETING THE INSTALLATION (Fig. 1)

5. Align the fixture body (E) onto the mounting plate (B). Secure with plastic washers (D) and screws (C).
6. To prevent moisture from entering the outlet box and causing a short, use clear caulking (i.e. Indoor/Outdoor Silicone Sealant) to outline the outside of fixture back plate where it meets the wall leaving a space at bottom to allow moisture a means to escape (Fig.3).

REPLACING LED MODULE (Fig. 4)

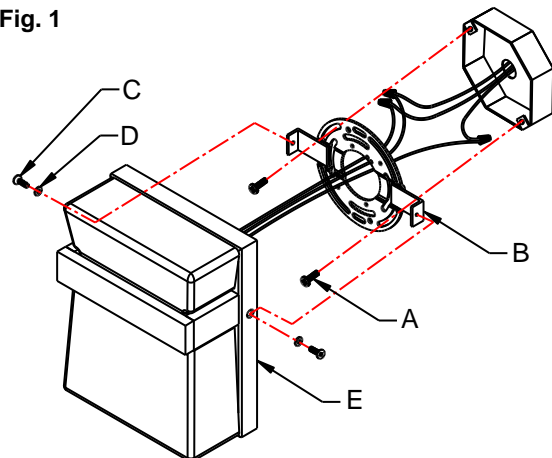
The LED module can be replaced by a qualified electrician without cutting of wire and without damage to any decorative element to which the fixture is attached. See installation steps for more details (Fig.4)

- a. Shut off the power.
 - b. Remove screws (C) and plastic washers (D), then remove fixture body (E) from mounting plate (B), disconnect the wire connector, and place fixture body (E) on a clean surface.
 - c. Unscrew screws (G) and remove lock washer (F), glass holder (L), and glass shade (K) from the back plate (H).
 - d. Press the button of the printed "L" quick connector on LED module (I) with screwdriver (not included) to disconnected the black wire, and then disconnect the white wire from the printed "N" quick connector on LED module (I).
 - e. Remove the screws (J) and then remove the LED module (I) carefully.
 - f. Reverse steps b-e for installing the new LED module.
- Your installation is now complete. Return the power to the junction box and test the fixture.

Note: Illustration (Fig. 1) on this manual is for installation purposes only. It may or may not be identical to the fixture purchased.

Dimmable with ELV and/or LED compatible wall dimmer switches.

Fig. 1



Set# A-020-148102
-Mounting plate
-Ground screw
-Mounting screw*2

Fig. 2

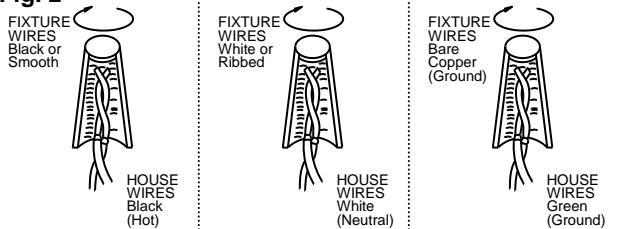


Fig. 3

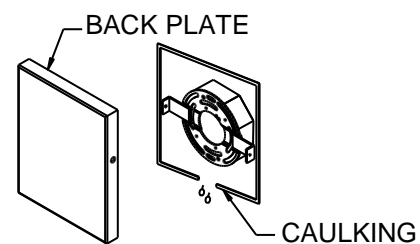


Fig. 4

