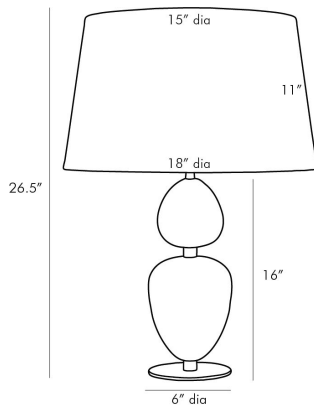


# ARTERIOS

## AUBREY LAMP



49360-829

H: 29.5 IN, Dia: 18.00 IN

White

Contract Suitable As Is

Defined by architectural elements and natural materials the Aubrey is a showpiece by any standard. A polished steel base finished in antique brass exhibits opal swirl crystal and snow marble orbs that accent as well as elevate its sleek frame. The smooth surface of the crystal is juxtaposed with the slightly textured façade of marble. Topped with an off-white linen tapered shade with off-white cotton lining and a 1" brass sphere finial. finish will vary.

### APPEARANCE

Material	Antique Brass
Finish	Alabaster, Cotton, Crystal, Linen, Steel
Finish Will Vary	Antique Brass, Off-White, Opal Swirl
Top Coat/Sealant	true
Finial Description	false
	1" Brass Sphere

### DIMENSIONS

Shade	Top: 15.00 IN, Dia: 18.00 IN, Side: 11 IN
Body	H: 16 IN, Dia: 6.00 IN
Foot Print	Dia: 6.00 IN
Harp	9 IN

### WIRING

Rating	Indoor Only
Tilt Test	10 Degrees - AU
Cord	8 FT IN, Clear/Silver, SPT-2
Socket	1, Brass, Type A- E26, 3-Way
Switch	3-Way Rotary, At Socket
Maximum Watt	150
Voltage	110-120 V

### CERTIFICATIONS

Cerifications	Mexico Australia, United Arab Emirates, United Kingdom, United States, Canada
---------------	--

### COMPLIANCY

UL/ETL	Yes
CB	Yes
RoHS	true

### SHIPPING

Product Weight	20.5 LBS
Gross Weight 1	20.5 LBS
Gross Weight 2	2.5 LBS
Shipping Box 1	H: 25 IN, L: 10 IN, W: 10 IN
Shipping Box 2	H: 15 IN, L: 22 IN, W: 22 IN

### ADDITIONAL INFO

Shade Shape	Round
Shade Trim	Rolled Edges
Shade Type	Hardback