

# Enna Twin

SKU 1058xxx

## INSTALLATION INSTRUCTIONS / INSTRUCTIONS D'INSTALLATION / INSTRUCCIONES DE INSTALACIÓN

**EN** PLEASE READ THE INSTRUCTIONS CAREFULLY

**THIS PRODUCT MUST BE INSTALLED IN ACCORDANCE WITH THE APPLICABLE INSTALLATION CODE BY A PERSON FAMILIAR WITH THE CONSTRUCTION AND OPERATION OF THE PRODUCT AND THE HAZARDS INVOLVED. CONSULT A QUALIFIED ELECTRICIAN TO ENSURE CORRECT BRANCH CIRCUIT CONDUCTOR.**

**FR** LIRE ATTENTIVEMENT LES INSTRUCTIONS AVANT DE COMMENCER LE MONTAGE

**CE PRODUIT DOIT ÊTRE INSTALLÉ SELON LE CODE D'INSTALLATION PERTINENT, PAR UNE PERSONNE QUI CONNAÎT BIEN LE PRODUIT ET SON FONCTIONNEMENT AINSI QUE LES RISQUES INHÉRENTS. CONSULTER UN ÉLECTRICIEN QUALIFIÉ POUR VOUS ASSURER QUE LES CONDUCTEURS DE LA DÉRIVATION SONT ADÉQUATS.**

**ES** LEA DETENIDAMENTE LAS INSTRUCCIONES

**ESTE PRODUCTOR DEBE SER INSTALADO SEGUN EL CODIGO DE INSTALACION APLICABLE POR UNA PERSONA QUE CONOZCA LE CONSTUSSION Y EL FUNCIONAMIENTO DEL PRODUCTO Y LOS RIESGOS QUE SUPONE. CONSULTAR A UN ELECTRICISTA CALIFICADO PARA ASEGURAR LA ELECCION DEL CONDUCTOR DE CIRCUITO DERIVADO.**

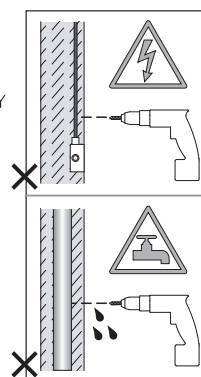
THIS DEVICE COMPLIES WITH PART 15 OF THE FCC RULES. OPERATION IS SUBJECT TO THE FOLLOWING TWO CONDITIONS:  
(1) THIS DEVICE MAY NOT CAUSE HARMFUL INTERFERENCE, AND (2) THIS DEVICE MUST ACCEPT ANY INTERFERENCE RECEIVED, INCLUDING INTERFERENCE THAT MAY CAUSE UNDESIRE OPERATION

**NOTE:** THIS EQUIPMENT HAS BEEN TESTED AND FOUND TO COMPLY WITH THE LIMITS FOR A CLASS B DIGITAL DEVICE, PURSUANT TO PART 15 OF THE FCC RULES. THESE LIMITS ARE DESIGNED TO PROVIDE REASONABLE PROTECTION AGAINST HARMFUL INTERFERENCE IN A RESIDENTIAL INSTALLATION. THIS EQUIPMENT GENERATES, USES AND CAN RADIATE RADIO FREQUENCY ENERGY AND, IF NOT INSTALLED AND USED IN ACCORDANCE WITH THE INSTRUCTIONS, MAY CAUSE HARMFUL INTERFERENCE TO RADIO COMMUNICATIONS. HOWEVER, THERE IS NO GUARANTEE THAT INTERFERENCE WILL NOT OCCUR IN A PARTICULAR INSTALLATION. IF THIS EQUIPMENT DOES CAUSE HARMFUL INTERFERENCE TO RADIO OR TELEVISION RECEPTION, WHICH CAN BE DETERMINED BY TURNING THE EQUIPMENT OFF AND ON, THE USER IS ENCOURAGED TO TRY TO CORRECT THE INTERFERENCE BY ONE OR MORE OF THE FOLLOWING MEASURES:

- REORIENT OR RELOCATE THE RECEIVING ANTENNA.
- INCREASE THE SEPARATION BETWEEN THE EQUIPMENT AND RECEIVER.
- CONNECT THE EQUIPMENT INTO AN OUTLET ON A CIRCUIT DIFFERENT FROM THAT TO WHICH THE RECEIVER IS CONNECTED.
- CONSULT THE DEALER OR AN EXPERIENCED RADIO/TV TECHNICIAN FOR HELP. CHANGES OR MODIFICATIONS NOT EXPRESSLY APPROVED BY THE PARTY RESPONSIBLE FOR COMPLIANCE COULD VOID THE USER'S AUTHORITY TO OPERATE THE EQUIPMENT.

### CAN ICES-005 (B) / NMB-005 (B)

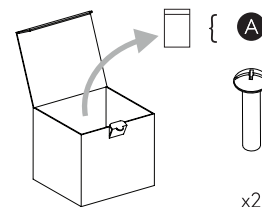
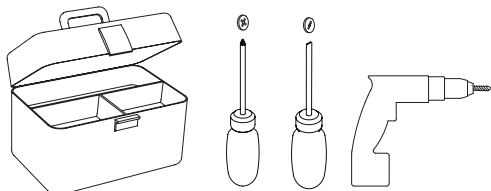
WARNING: INSTALLING THIS LUMINAIRE REQUIRES INSTALLING A SPECIAL OUTLET BOX WHICH IS TOTALLY COVERED BY THIS PRODUCT AND NO LIVE PART IS EXPOSED. THIS PRODUCT MUST BE INSTALLED IN ACCORDANCE WITH THE APPLICABLE INSTALLATION CODE BY A PERSON FAMILIAR WITH THE CONSTRUCTION AND OPERATION OF THE PRODUCT AND THE HAZARDS INVOLVED.



Wall mount only  
Installation murale seulement  
Exclusivamente para fijacion en muro



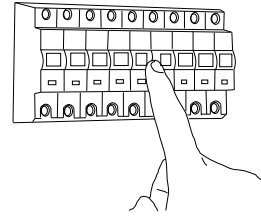
Unsuitable for dimming  
Ne convient pour gradateur  
No es adecuado para dimmer



A

STUB OUT INSTALLATION

1



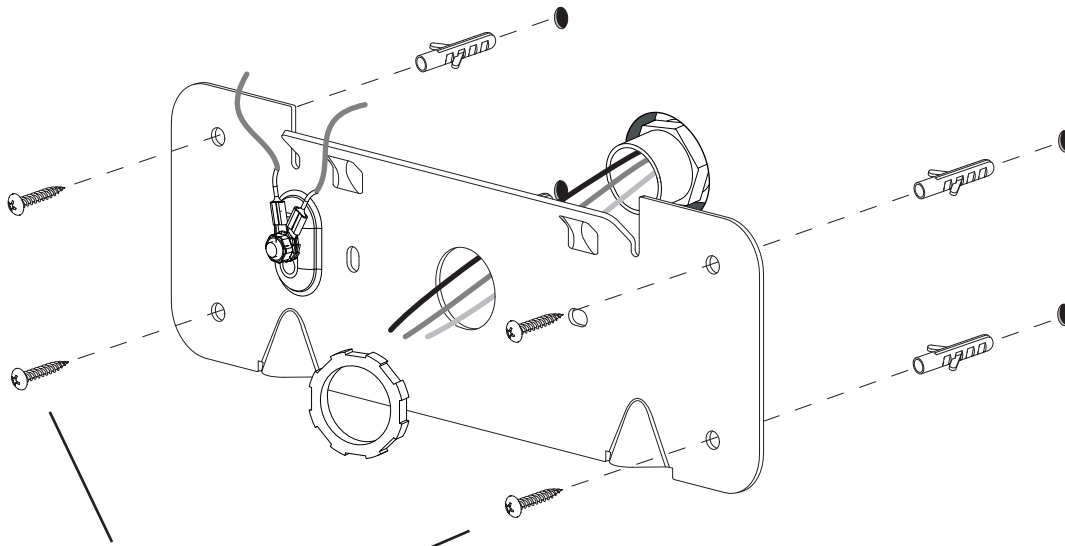
Turn Off Power  
Couper Le Courant! /  
Corte La Corriente!

1/2" Conduit Stub-Out Installation  
Conduit Connector Not Included  
Use Fixings Suitable For The Wall Type

1/2" Conduit Stub-Out Installation  
Connecteur De Conduit Non Inclus  
Utiliser Des Fixations Appropriées Pour Le  
Type De Mur

1/2" Conduit Stub-Out Installation  
Conector De Conducto No Incluido  
Utilizar Fijaciones Adecuadas Para El Tipo  
De Pared

2



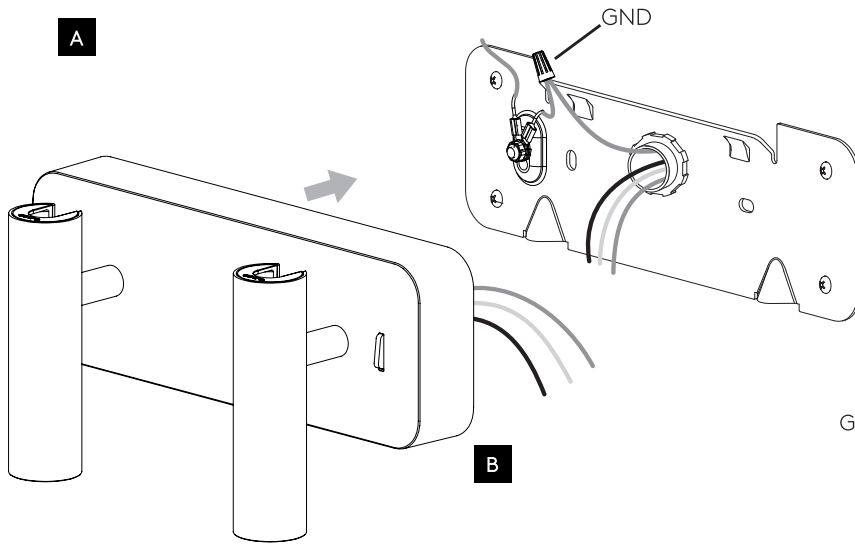
Fixings not included/  
Fixations non incluses/  
Fijaciones no incluidas

<p>WHITE SUPPLY WIRE / NEUTRAL</p> <p>WHITE OR IDENTIFIED</p> <p>FIXTURE WIRE</p> <p>UL LISTED WIRE NUTS</p>	<p>FILS DE COURANT</p> <p>BLANC / NEUTRE</p> <p>FILS DE CONNECTEUR</p> <p>BLANC OU IDENTIFIABLE</p> <p>ÉCROUS DE FIL HOMOLOGUÉS UL</p>	<p>CABLE DE SUMINISTRO</p> <p>BLANCO / NEGATIVO</p> <p>CABLE A LÁMPARA</p> <p>BLANCO / NEGATIVO</p> <p>CONOS ELÉCTRICOS LISTADOS POR UL</p> <p>CABLE A LÁMPARA</p>
<p>BLACK SUPPLY WIRE</p> <p>PLAIN OR BLACK</p> <p>FIXTURE WIRE</p>	<p>FILS DE COURANT</p> <p>NOIR</p> <p>FILS DE CONNECTEUR</p> <p>NOIR OU SANS MARQUES</p>	<p>CABLE DE SUMINISTRO</p> <p>NEGRO</p> <p>CABLE A LÁMPARA</p> <p>NEGRO</p>
<p>BARE, OR GREEN</p> <p>GROUND WIRE FROM SUPPLY</p> <p>BARE, OR GREEN</p> <p>FIXTURE GROUND WIRE</p>	<p>FILS VERT</p> <p>OU NEUTRE DU COURANT</p> <p>FILS VERT</p> <p>OU NEUTRE</p>	<p>CABLE DESNUDO / VERDE</p> <p>TIERRA FÍSICA DEL SUMINISTRO</p> <p>CABLE A LÁMPARA</p> <p>VERDE / TIERRA FÍSICA</p>

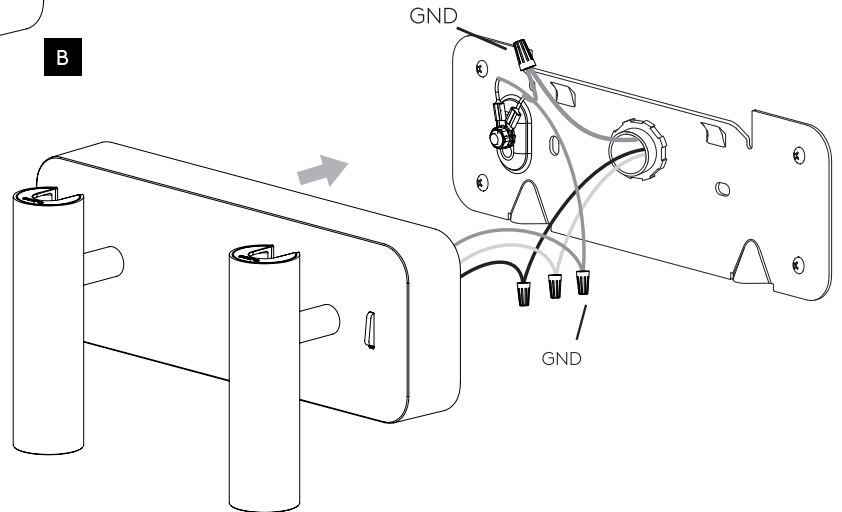
- Use the appropriate UL listed wire nut for the number of conductors in the installation/  
Utilisez l'écrou de fil homologué UL approprié pour le nombre de conducteurs dans l'installation/
- Utilice el cono eléctrico apropiado listado por UL para la cantidad de conductores en la instalación

3

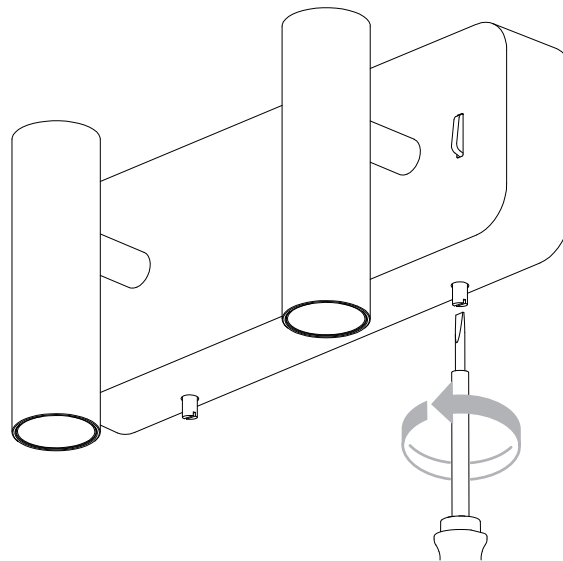
A



B



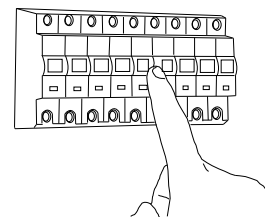
4



B

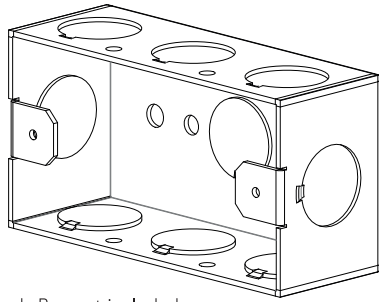
SWITCH BOX INSTALLATION

1

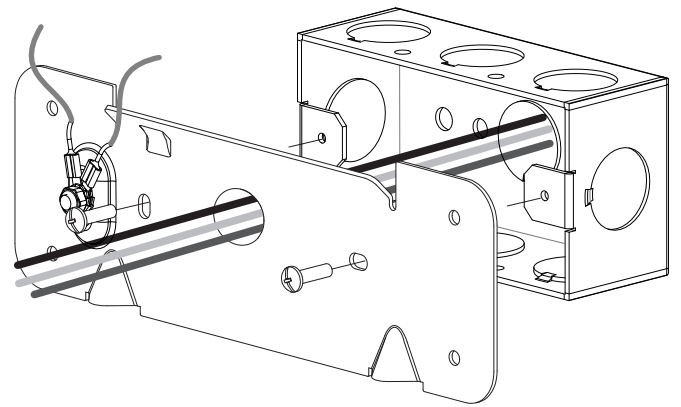


Turn Off Power  
Couper Le Courant! /  
Corte La Corriente!

2



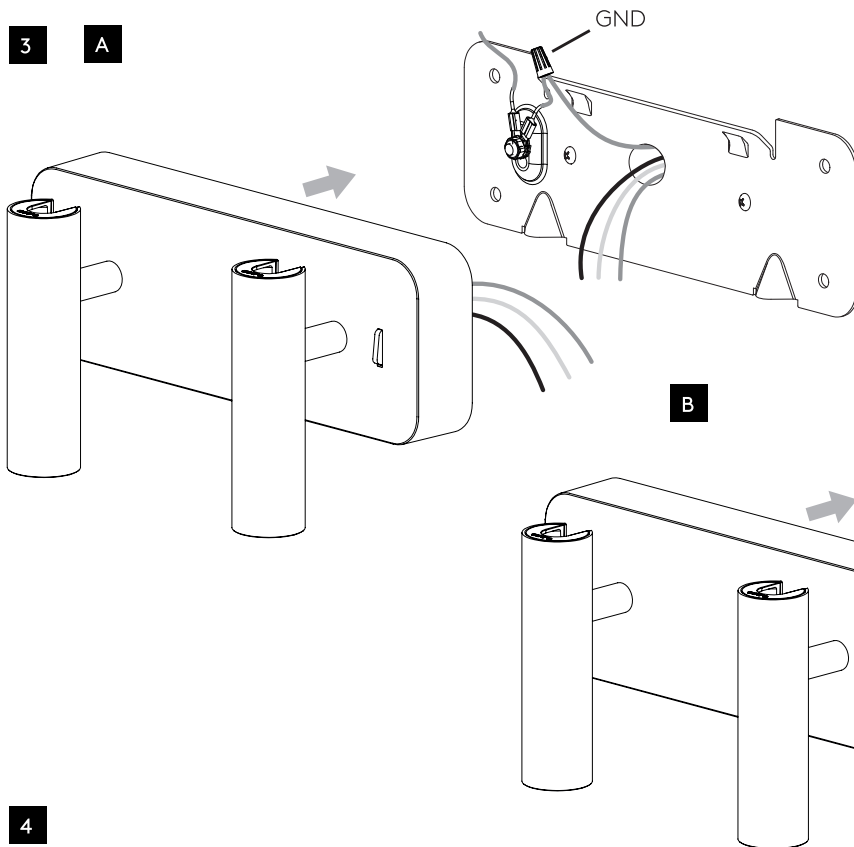
3



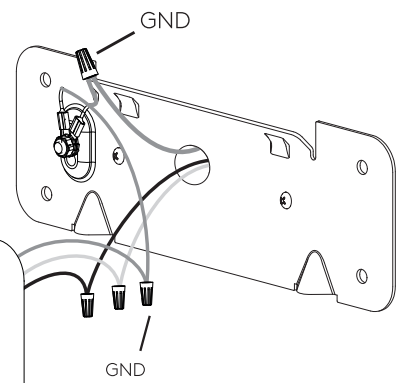
! Switch Box/Handy Box not included  
 ! Switch Box/Handy Box non inclus  
 ! Switch Box/Handy Box no includo

3

A



B



4

