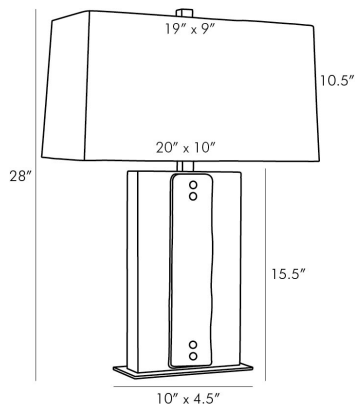


ARTERIOS

URIAH LAMP



49280-429

H: 28 IN, W: 20 IN, D: 10 IN

Alabaster, Smoke Luster Glass, Antique Brass

Contract Suitable As Is

Let the Uriah Lamp elevate your table top to museum status. A thick, seedy slumped glass in a smoke luster finish cascades down the front of a snow marble wall to create this functional showpiece. The use of mixed materials that shape this rectangular form brings a refined organic element to a space. Topped with a rectangle off-white microfiber shade with off-white cotton lining and a matching metal finial. finish will vary.

APPEARANCE

Material	Alabaster, Cotton, Glass, Microfiber
Finish	Off-White, Smoke Luster
Finish Will Vary	true
Top Coat/Sealant	true
Finial Description	Decorative metal to match - packed with

DIMENSIONS

Harp	9.5 IN
------	--------

WIRING

Rating	Indoor Only
Tilt Test	10 Degrees - AU
Cord	10 FT, Clear/Silver, SPT-2
Socket	1, Brass, Type A- E26, 3-Way
Switch	3-Way Rotary, At Socket
Maximum Watt	150
Voltage	110-120 V

CERTIFICATIONS

Cerifications	Mexico Australia, EU, United Kingdom, Middle East, United States, Canada
---------------	---

COMPLIANCY

UL/ETL	Yes
CB	Yes
RoHS	true

SHIPPING

Product Weight	28.5 LBS
Gross Weight 1	28.5 LBS
Gross Weight 2	3.5 LBS
Shipping Box 1	H: 14 IN, L: 9 IN, W: 26 IN
Shipping Box 2	H: 15 IN, L: 24 IN, W: 14 IN

ADDITIONAL INFO

Shade Shape	Rectangle
Shade Trim	Rolled Edges
Shade Type	Hardback

CONTRACT

Contract Suitable	true
-------------------	------