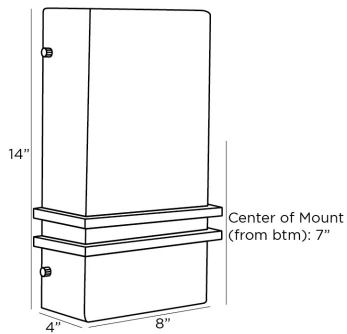


ARTERIOS

RONAN SCONCE



49531
H: 14 IN, W: 8 IN, D: 4 IN
White Onyx
Contract Suitable As Is

The Ronan celebrates the luxury and inherent beauty of white onyx. The box-constructed, paneled sconce features antique brass iron bar detailing. Finish will vary.

APPEARANCE

Material	Iron, Onyx
Finish	Antique Brass, White
Finish Will Vary	true
Top Coat/Sealant	true

DIMENSIONS

Center Of Mount From Btm	7 IN
Backplate	H: 12.5 IN, W: 5.5 IN, D: 1 IN
Mount	H: 12 IN, W: 5 IN, D: 1 IN

WIRING

Rating	Damp
Cord	0.5 FT, Black/White, SVT
Socket	2, Type B - E12
Maximum Watt	8
Voltage	110-120 V

COMPLIANCY

RoHS	true
------	------

SHIPPING

Product Weight	11 LBS
Gross Weight 1	15 LBS
Shipping Box 1	H: 29 IN, L: 13.8 IN, W: 10.5 IN

ADDITIONAL INFO

Features	ADA
----------	-----

CONTRACT

Contract Suitable	true
-------------------	------