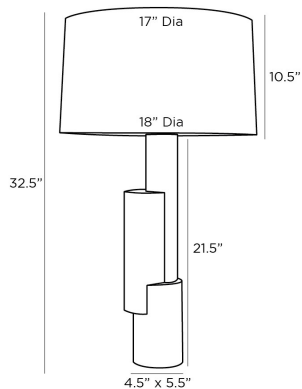


# ARTERIOS

## PEPPERDINE LAMP



49896-851

H: 32.5 IN, Dia: 18.00 IN

White Marble, Antique Brass, Champagne Crystal

Contract Suitable As Is

A brilliant mix of forms and materials unite in the Pepperdine lamp. The piece is created in a column of stacked, offset cylinders of champagne crystal, white marble and antique brass steel. The artful table lamp is finished with an off-white microfiber drum shade lined in off-white cotton. Finishes will vary.

### APPEARANCE

Material	Cotton
Finish	Crystal, Marble, Microfiber, Steel
Finish Will Vary	Antique Brass, Champagne, White
Top Coat/Sealant	true
Finial Description	Antique Brass Cylinder

### DIMENSIONS

Shade	Top: 17.00 IN, Dia: 18.00 IN, Side: 10.5 IN
Body	H: 21.5 IN, W: 4.5 IN, D: 5.5 IN
Neck	H: 1 IN, Dia: 0.50 IN
Foot Print	W: 4.5 IN, D: 5.5 IN
Harp	8.5" Brass IN

### WIRING

Rating	Indoor Only
Tilt Test	8 Degrees - UL
Cord	10 FT, SPT-2, Taupe Fabric
Socket	1, Brass, Type A - E26
Switch	3-Way Rotary, At Socket
Maximum Watt	150
Voltage	110-120 V

### COMPLIANCY

RoHS	true
------	------

### SHIPPING

Product Weight	23 LBS
Gross Weight 1	28 LBS
Gross Weight 2	5 LBS
Shipping Box 1	H: 10 IN, L: 9.25 IN, W: 29.5 IN
Shipping Box 2	H: 11.5 IN, L: 19 IN, W: 19 IN

### ADDITIONAL INFO

Shade Shape	Round
Shade Trim	Rolled Edges
Shade Type	Hardback

### REPLACEMENT PARTS

Replacement Part 1	81007
Replacement Part 1 Dim	2"x1" Cylinder

### CONTRACT

Contract Suitable	true
-------------------	------