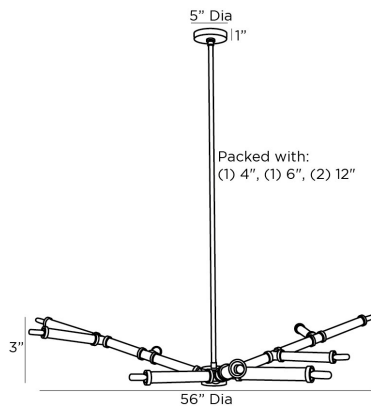


ARTERIOS

PADEN CHANDELIER



89498
H: 7 IN, Dia: 56.00 IN
Cognac Leather
Contract Suitable As Is

In a sprawling form reminiscent of tree branches, the Paden is richly crafted with menswear-inspired materials and detailing. Each arm is dressed in visible, stitched cognac leather, and antique brass steel detailing offers luxurious contrast. Finish will vary.

APPEARANCE

Material	Leather, Steel
Finish	Antique Brass, Cognac
Finish Will Vary	true
Top Coat/Sealant	false

DIMENSIONS

Chandelier	H: 3 IN, Dia: 56.00 IN
Minimum Hanging Height	7 IN
Maximum Hanging Height	37 IN
Canopy	H: 1 IN, Dia: 5.00 IN

WIRING

Rating	Damp
Cord	10 FT, Black/White, SVT
Socket	9, Type B - E12
Photographed Bulb	Small Clear Tubular Bulb
Maximum Watt	40
Voltage	110-120 V

COMPLIANCY

RoHS	true
------	------

SHIPPING

Product Weight	18.6 LBS
Gross Weight 1	26.6 LBS
Shipping Box 1	H: 9 IN, L: 58 IN, W: 24 IN

REPLACEMENT PARTS

Replacement Part 1	PIPE-422
Replacement Part 1 Dim	(1) 4", (1) 6", and (1) 12"
Replacement Part 2	CANOPY-615
Replacement Part 2 Dim	1" x 5"

CONTRACT

Contract Suitable	true
-------------------	------