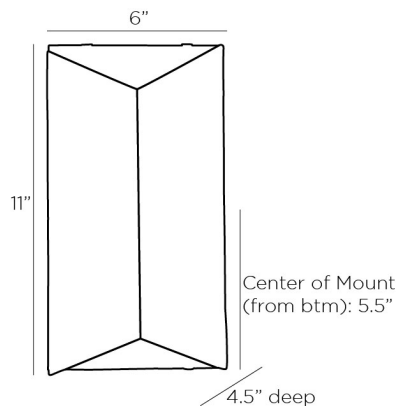


ARTERIALS

ORRICK SCONCE



44786

H: 11 IN, W: 6 IN, D: 4.5 IN

Textured Matte Charcoal

Contract Suitable As Is

Fully functional in form, the Orrick features a design in the modern Bauhaus style. A textured aluminum foundation that features a matte charcoal finish is presented by a matching iron backplate. The simple angles of the faceted facade are highlighted when illuminated by a single bulb. Finish will vary. Damp-rated, although limited covered outdoor areas may affect finish.

APPEARANCE

Material	Iron
Material Type	Textured
Finish	Matte Charcoal
Finish Will Vary	true
Top Coat/Sealant	true

DIMENSIONS

Center Of Mount From Btm	5.5 IN
Backplate	H: 11 IN, W: 6 IN, D: 1 IN
Mount	H: 10.5 IN, W: 5.5 IN

WIRING

Rating	Damp
Cord	1 FT, Clear/Silver, SVT
Socket	1, Type A - E26
Photographed Bulb	2" Frosted Globe Bulb
Maximum Watt	25
Voltage	110-120 V

COMPLIANCY

RoHS	true
------	------

SHIPPING

Product Weight	4.5 LBS
Gross Weight 1	6.5 LBS
Shipping Box 1	H: 12 IN, L: 7 IN, W: 7.25 IN

CONTRACT

Contract Suitable	true
-------------------	------