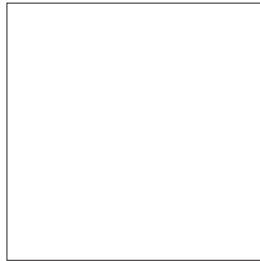
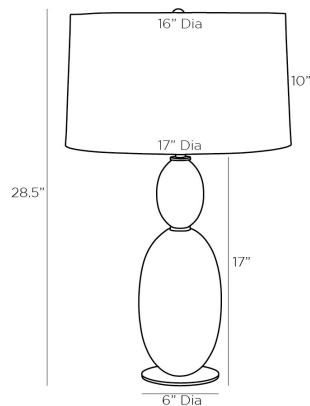


ARTERIOS

MINATO LAMP



49759-580
H: 28.5 IN, Dia: 17.00 IN
Ivory Glass Stone
Contract Suitable As Is

Hollywood glam inspired, the feminine silhouette of the Minato is formed by a mixed-material construction of stacked ivory glass stone and clear crystal on an antique brass steel base. Topped with an off-white microfiber drum shade with off-white cotton lining and an antique brass sphere finial. Finish will vary.

APPEARANCE

Material	Off-White Cotton, Crystal, Glass Stone, Microfiber, Steel
Material Type	Composite
Finish	Antique Brass, Clear, Ivory, Off-White
Finish Will Vary	true
Top Coat/Sealant	true
Finial Description	1" Antique Brass Sphere

DIMENSIONS

Shade	Top: 16.00 IN, Dia: 17.00 IN, Side: 10 IN
Body	H: 17 IN, Dia: 6.50 IN
Base	H: 0.25 IN, Dia: 6.00 IN
Neck	H: 1.5 IN, Dia: 1.00 IN
Foot Print	Dia: 6.00 IN
Harp	8.5" Brass IN

WIRING

Rating	Indoor Only
Tilt Test	10 Degrees - AU
Cord	8 FT, SPT-2, Taupe Fabric
Socket	1, Brass, Type A - E26
Switch	3-Way Rotary, At Socket
Maximum Watt	150
Voltage	110-120 V

COMPLIANCY

RoHS	true
------	------

SHIPPING

Product Weight	29.67 LBS
Gross Weight 1	26.67 LBS
Gross Weight 2	5 LBS
Shipping Box 1	H: 25 IN, L: 10 IN, W: 10 IN
Shipping Box 2	H: 12 IN, L: 19 IN, W: 19 IN

ADDITIONAL INFO

Shade Shape	Round
Shade Trim	Rolled Edges
Shade Type	Hardback

REPLACEMENT PARTS

Replacement Part 1	81002
--------------------	-------

CONTRACT

Contract Suitable	true
-------------------	------