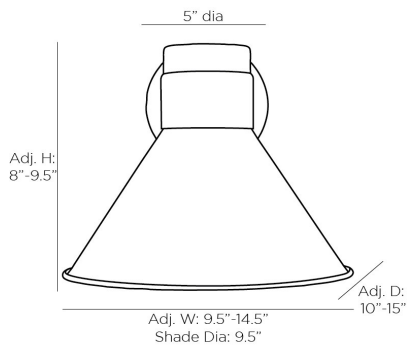


ARTERIOS

LANE SCONCE



49204

Taupe

Contract Suitable As Is

The Lane showcases a schoolhouse-inspired shade that delivers a retro yet modern look. An antique brass steel frame contrasts the taupe steel shade. The shade pivots allowing the choice of light direction. Damp-rated, although limited covered outdoor areas may affect finish.

APPEARANCE

| | |
|------------------|----------------------|
| Material | Steel |
| Finish | Antique Brass, Taupe |
| Top Coat/Sealant | true |

DIMENSIONS

| | |
|--------------------------|-----------------------|
| | 8 IN |
| Center Of Mount From Btm | 5.5 IN |
| Arm | D: 5 IN |
| Backplate | Dia: 5.00 IN, D: 1 IN |
| Mount | Dia: 4.50 IN |

WIRING

| | |
|--------------|------------------------------------|
| Rating | Damp |
| Cert Note | Lower wattage needed for INTL use. |
| Cord | 1 FT, Black, SVT |
| Socket | 1, Type A - E26 |
| Maximum Watt | 60 |
| Voltage | 110-120 V |

CERTIFICATIONS

| | |
|----------------|---------------------------------|
| Certifications | Mexico United States, Canada |
|----------------|---------------------------------|

COMPLIANCY

| | |
|--------|------|
| UL/ETL | Yes |
| RoHS | true |

SHIPPING

| | |
|----------------|---------------------------------------|
| Product Weight | 3 LBS |
| Gross Weight 1 | 4.2 LBS |
| Shipping Box 1 | H: 33.46 IN, L: 14.96 IN, W: 27.46 IN |

CONTRACT

| | |
|-------------------|------|
| Contract Suitable | true |
|-------------------|------|