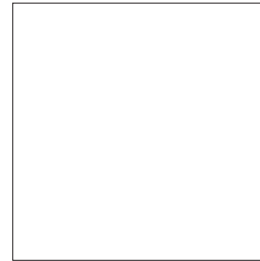
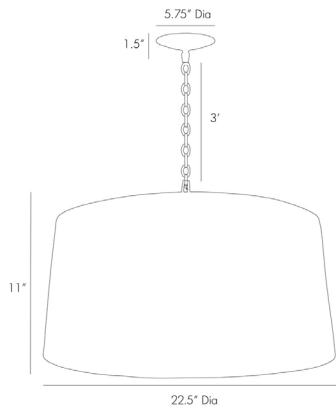


ARTERIOS

ANDERSON SMALL PENDANT



42466
H: 11 IN, Dia: 22.50 IN
English Bronze, Perforated Metal Diffuser
Contract Suitable As Is

3-light hand hammered iron drum shade pendant in a bronze finish both on exterior and interior, features a double diffuser suspended from within. Perforated metal bottom allows light to illuminate and suspends from matching linked chain. Additional chain available CHN-946.

APPEARANCE

Material	Iron
Material Type	Hammered
Finish	English Bronze
Top Coat/Sealant	false

DIMENSIONS

Minimum Hanging Height	11 IN
Maximum Hanging Height	47 IN
Canopy	H: 1.5 IN, Dia: 5.75 IN

WIRING

Rating	Damp
Cord	9 FT, Clear/Silver, SVT
Socket	3, Type A- E26 Keyless
Maximum Watt	40
Voltage	110-120 V

CERTIFICATIONS

Certifications	Mexico Australia, EU, United Kingdom, Middle East, United States, Canada
----------------	---

COMPLIANCY

UL/ETL	Yes
CB	Yes
RoHS	true

SHIPPING

Product Weight	15 LBS
Gross Weight 1	27.8 LBS
Shipping Box 1	H: 14 IN, L: 26 IN, W: 26 IN

REPLACEMENT PARTS

Replacement Part 1	CHN-946
Replacement Part 1 Dim	3'

CONTRACT

Contract Suitable	true
-------------------	------