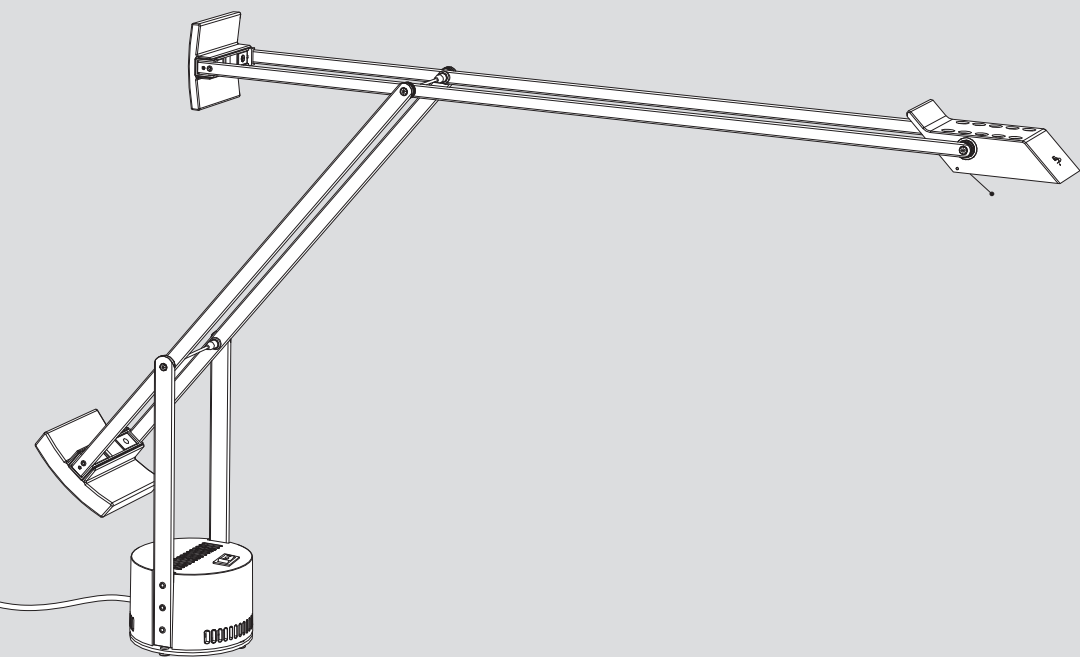


# Artemide®

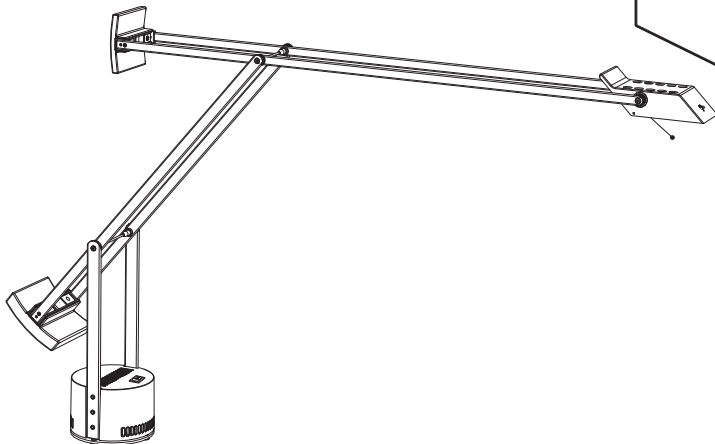
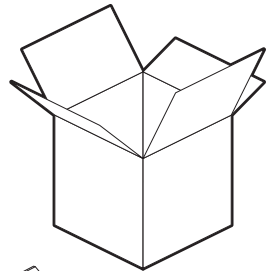
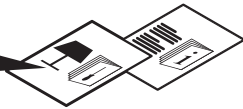
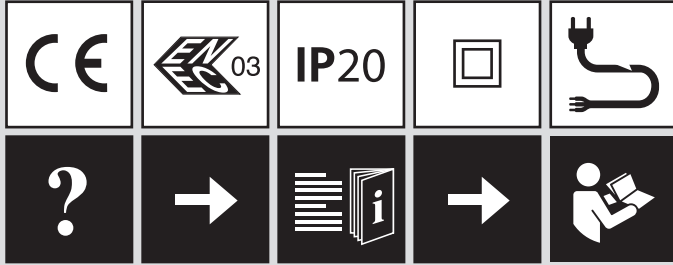
## Tizio - Tizio 35

design  
R. Sapper

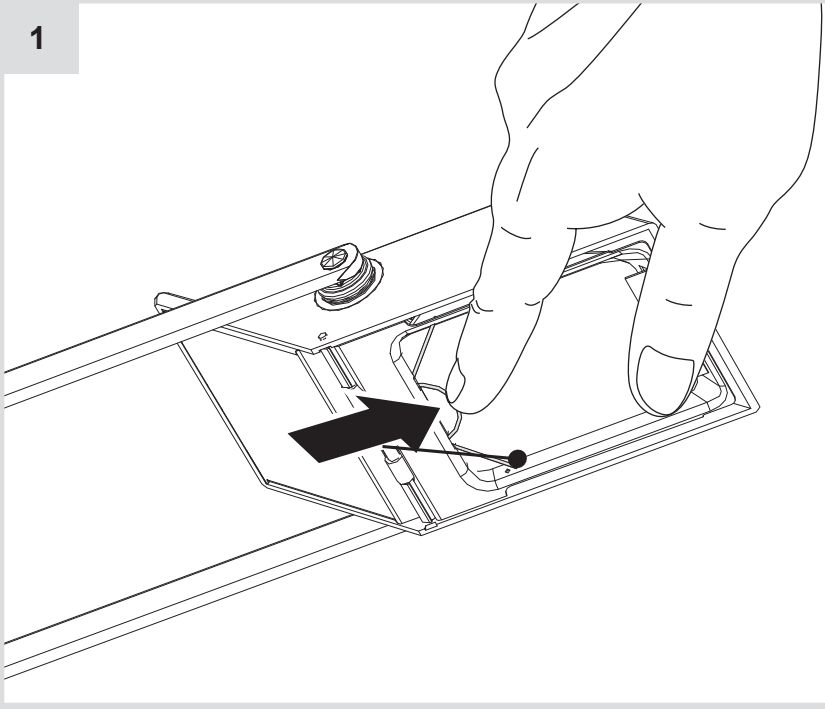




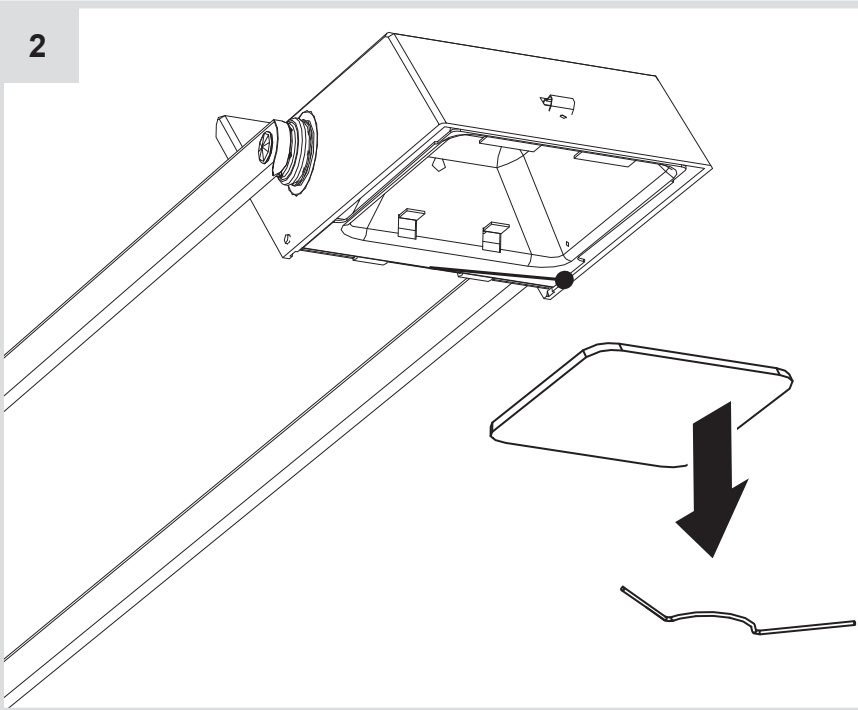
i



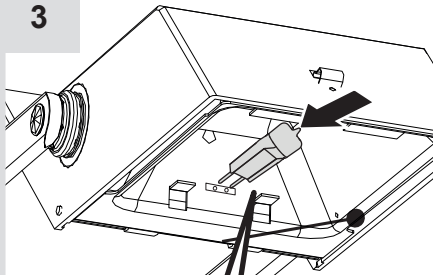
1



2

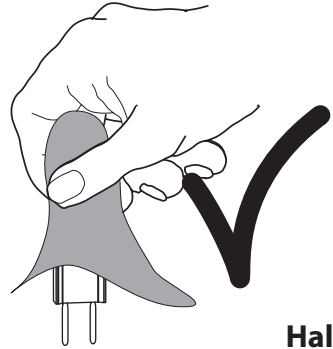
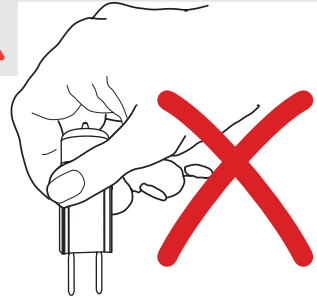


3



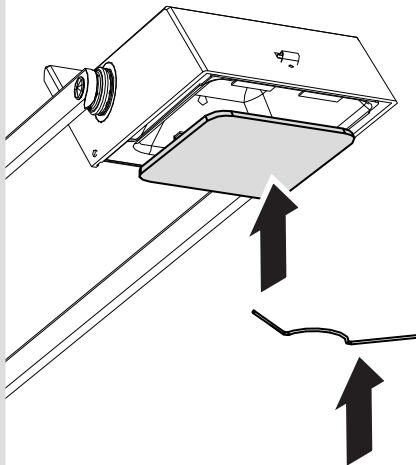
**TIZIO (A009...)**  
Max 50W - GY 6.35

**TIZIO 35 (A005...)**  
Max 35W - GY 6.35

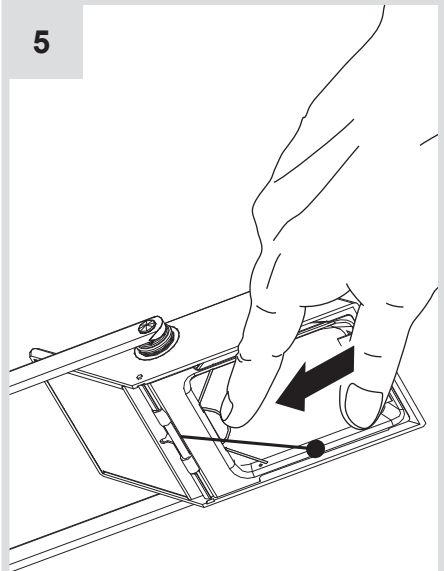


**Halo**

4

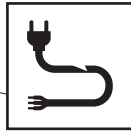
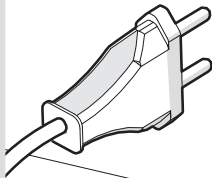
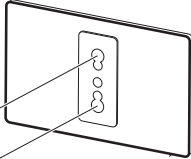
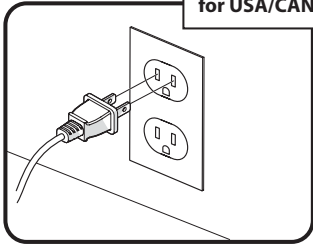


5

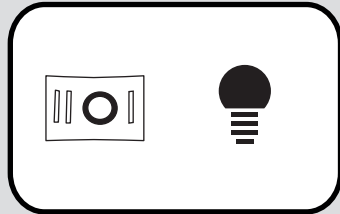
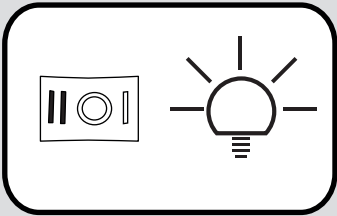
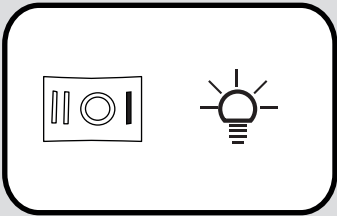
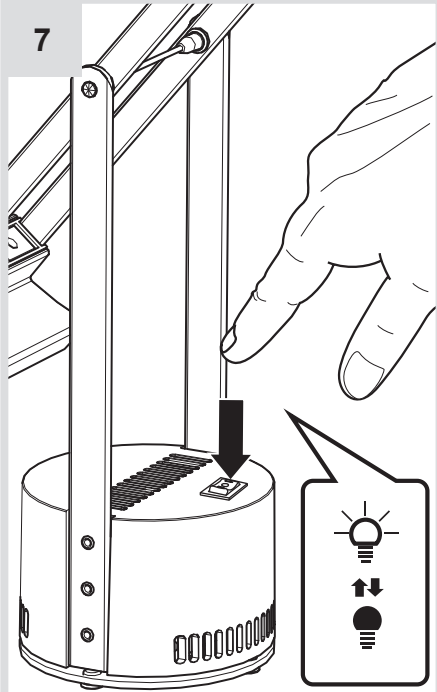


6

for USA/CANADA only



7





i

### **TIZIO (A009...)**

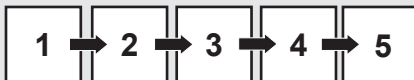
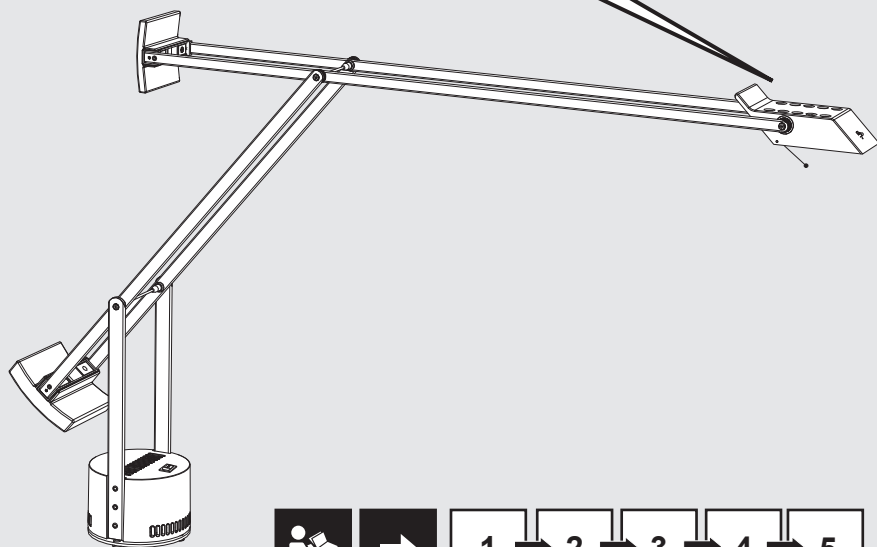
1 x Max 50W 12V - GY6.35

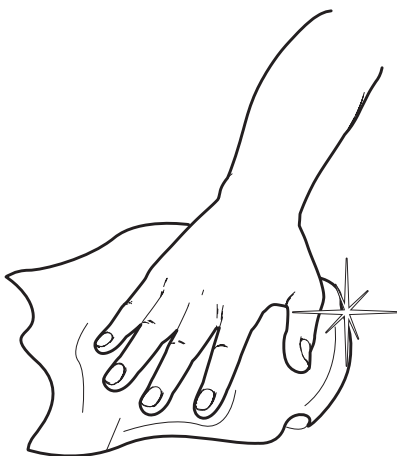
Halo: HSG - 1100 lm  
LED: DRT - 180 lm

### **TIZIO 35 (A005...)**

1 x Max 35W 12V - GY6.35

Halo: HSG - 800 lm  
LED: DRT - 180 lm





# Artemide®



## **Artemide**

via Bergamo, 18  
20010 Pregnana M.se (MI)  
ITALIA

tel. +39 02 935 181  
fax +39 02 935 90 254  
fax +39 02 935 90 496

[www.artemide.com](http://www.artemide.com)

VAT IT00846890150

## **Artemide Inc.**

250 Karin Lane  
Hicksville, NY 11801

Tel. 631 694 9292  
Toll Free 1-877-Art-9111  
Fax 631 694 9275

[www.artemide.net](http://www.artemide.net)

## **Artemide Ltée/Ltd.**

11105 rue Renaude Lapointe  
Montréal, Québec H1J 2T4

Tel. 514 323 6537  
Toll Free 888 777 2783  
Fax 514 323 8864

[www.artemide.net](http://www.artemide.net)

cod. Y513000676