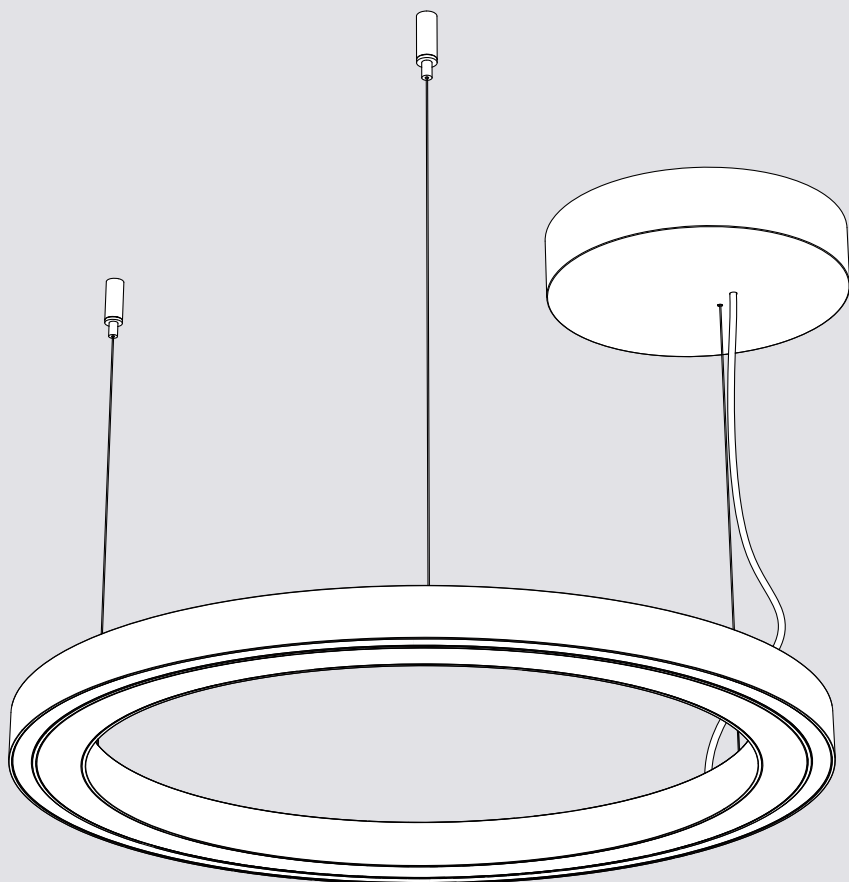


# Artemide®

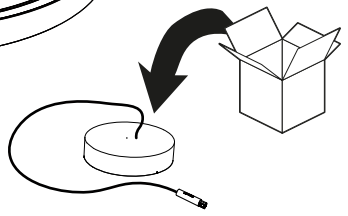
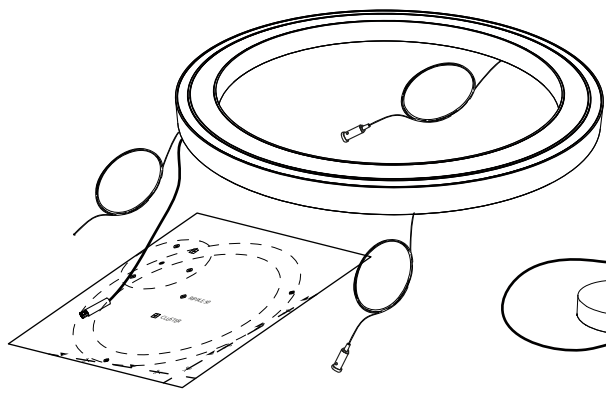
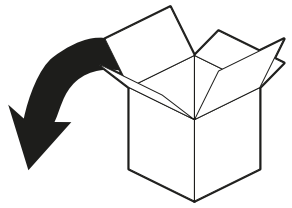
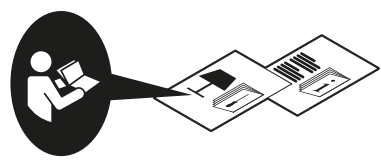
## Ripple 50 - 70 - 90

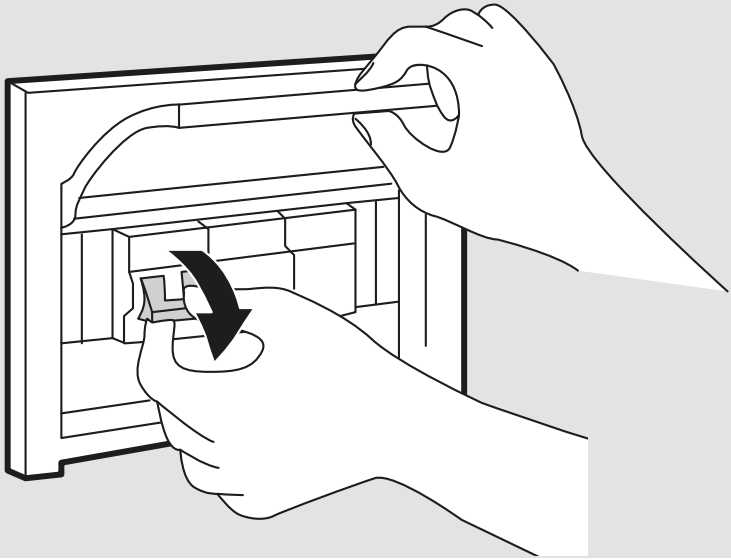
design  
BIG



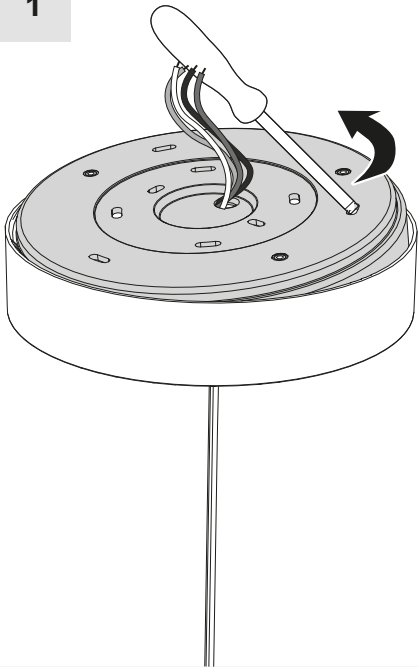


i

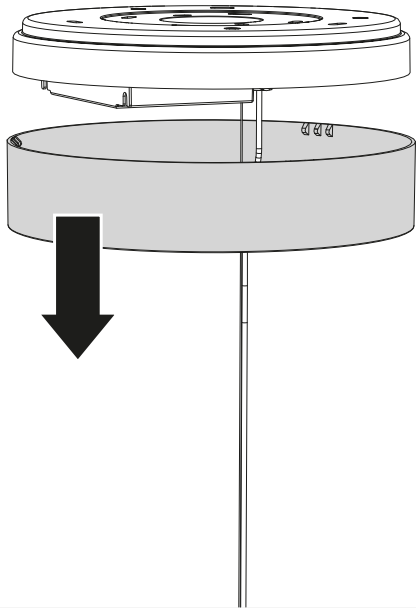




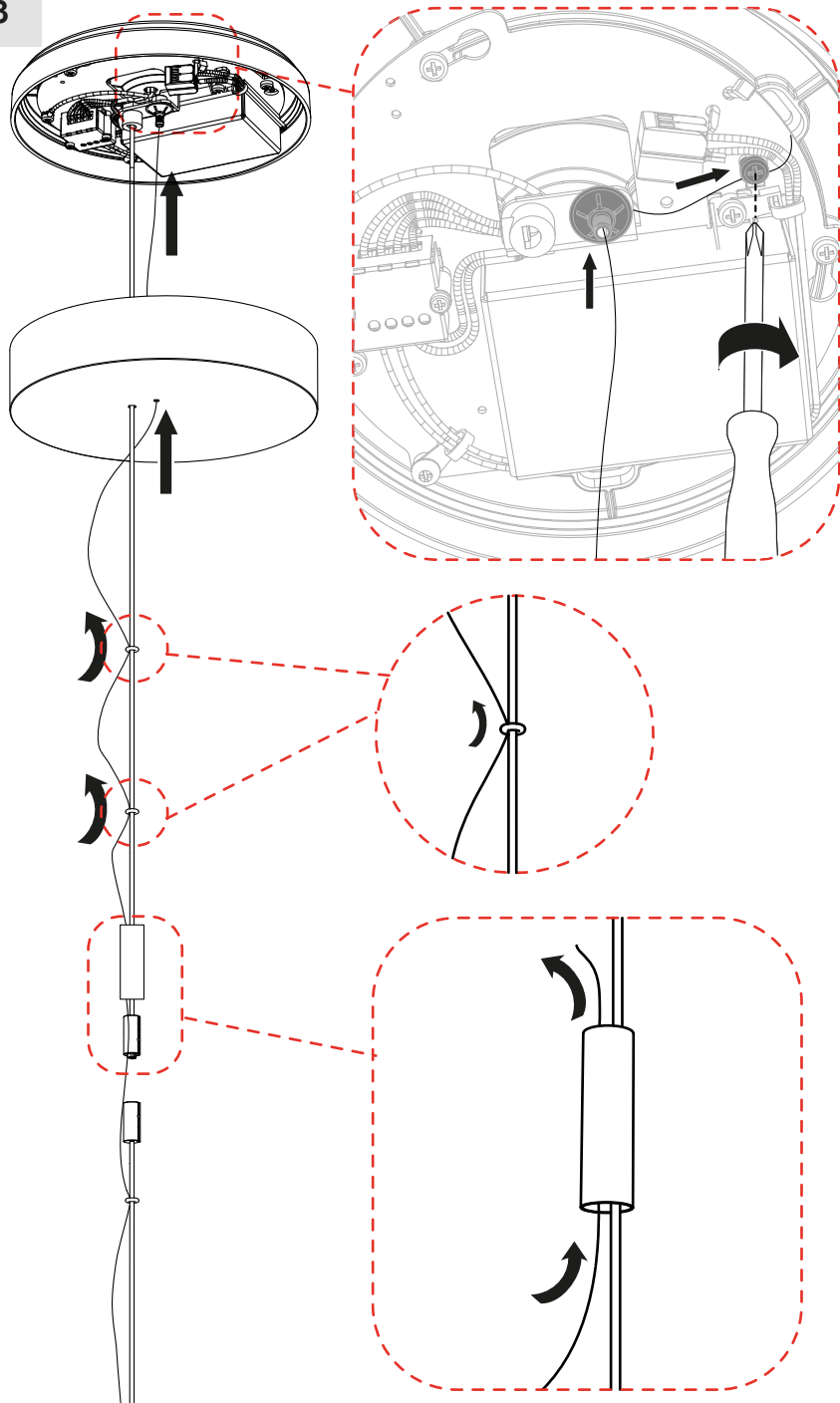
1

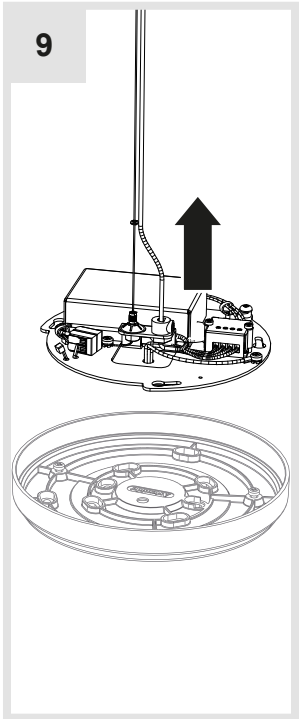
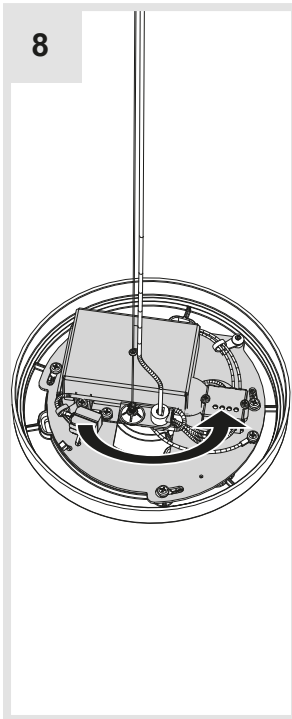
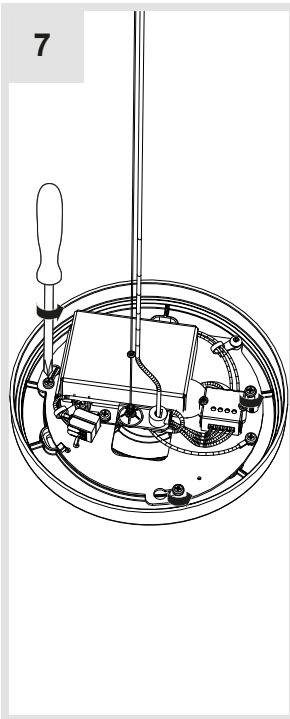
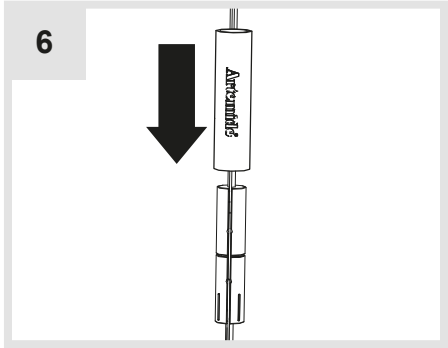
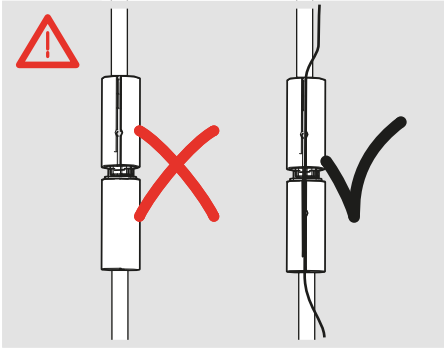
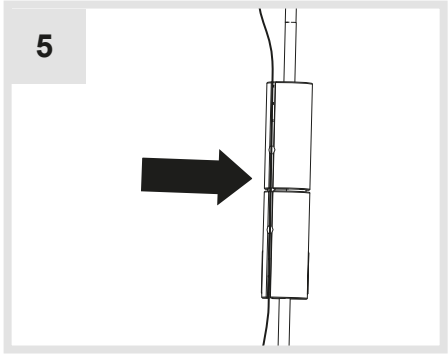
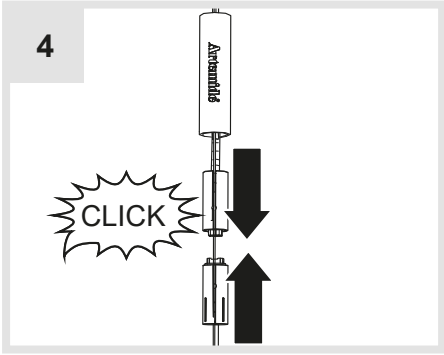


2

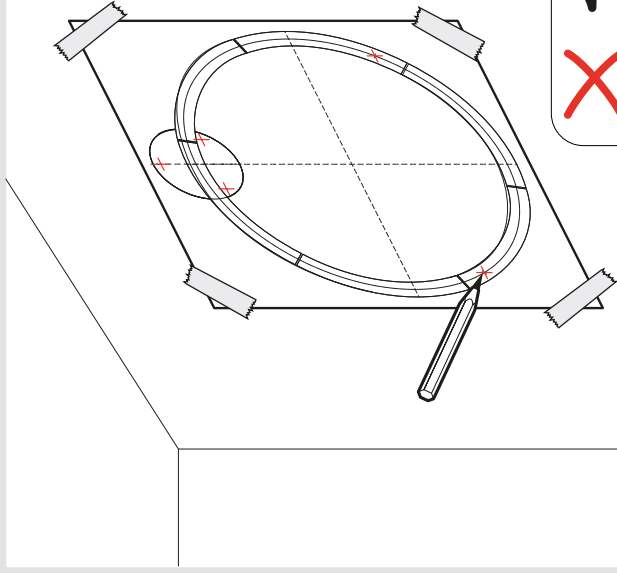


3







10

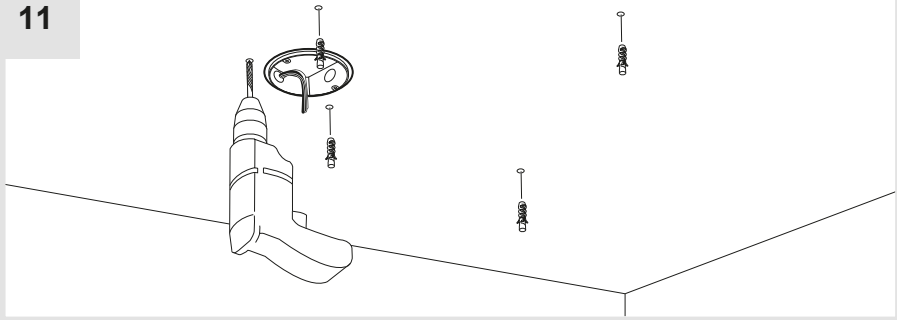


✓ ⊕ 50/70/90

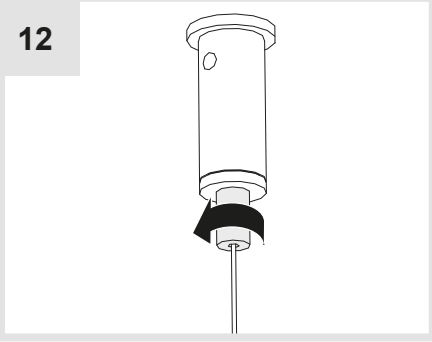
✗ ⊕ CLUSTER



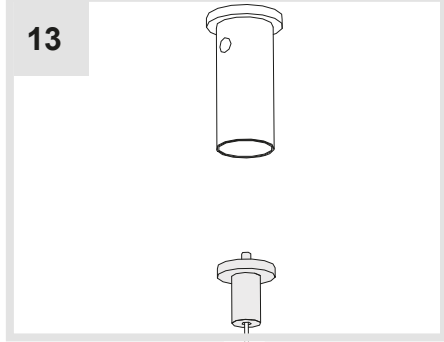
11



12



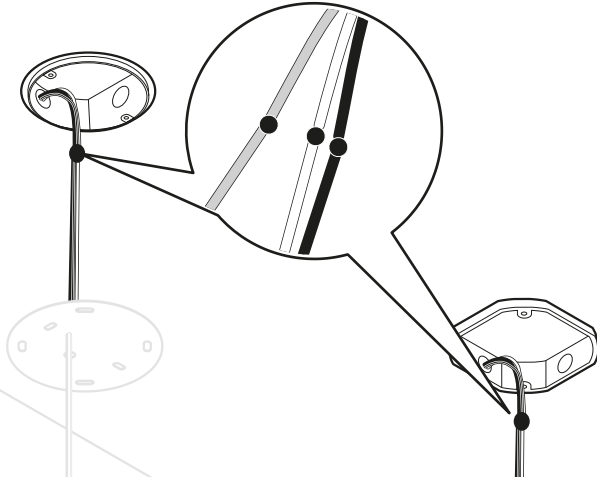
13



14a



120V



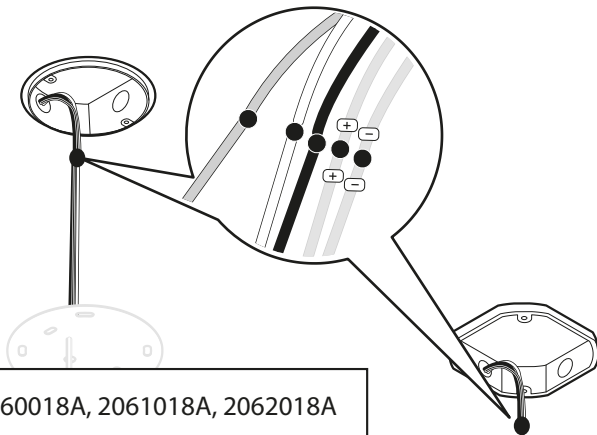
white/blanc/blanco		white/blanc/blanco
green/vert/verde		green/vert/verde
black/noir/negro		black/noir/negro

14b



120V

1-10 V dimming control  
Dimmable 1-10 V  
Regulable mediante control 1-10 V



ONLY: 2060018A, 2061018A, 2062018A

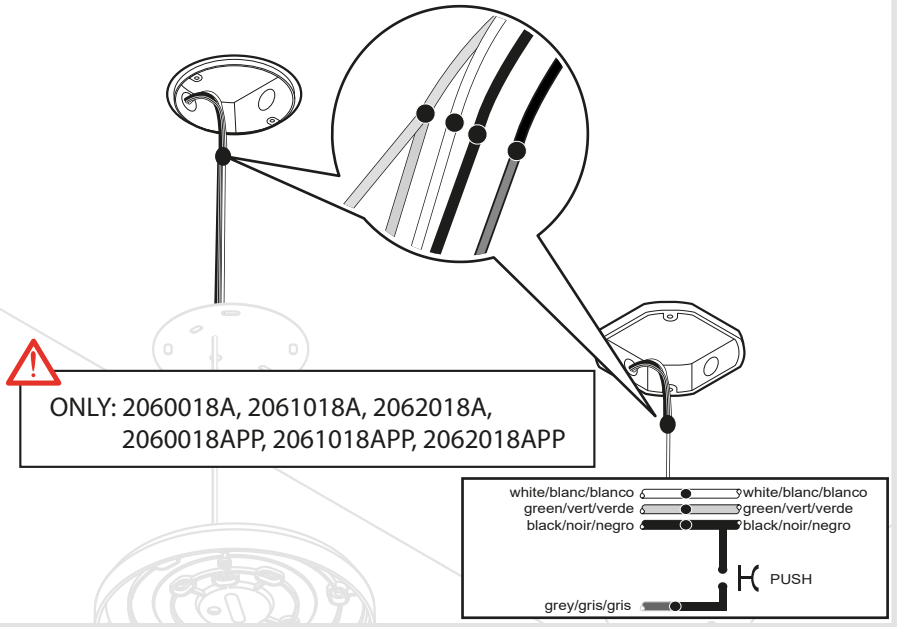
white/blanc/blanco		white/blanc/blanco
green/vert/verde		green/vert/verde
black/noir/negro		black/noir/negro
purple/violet/pùrpura		transparent/transparente
grey/gris/gris		transparent/transparente

14e



120 V

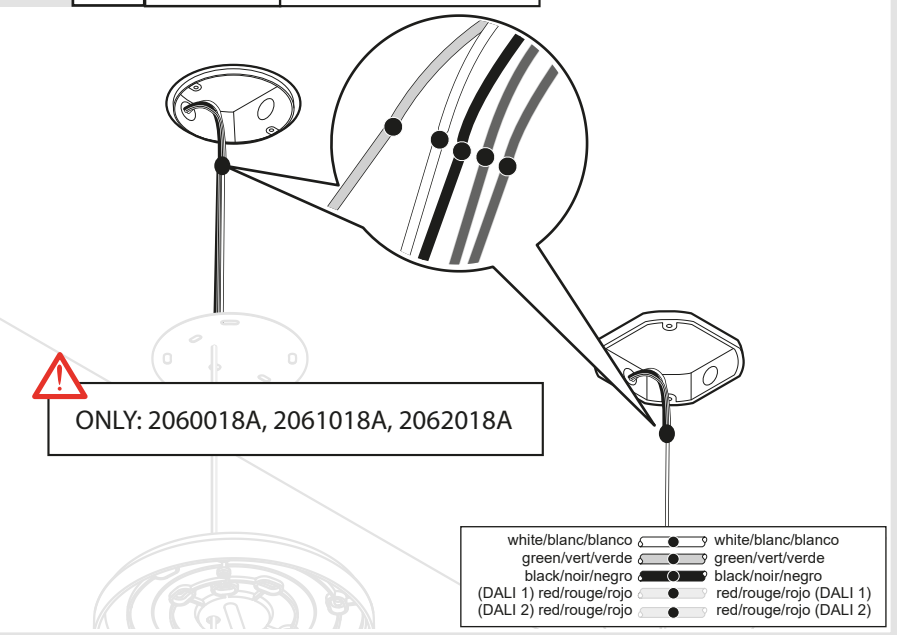
Push Dimming  
Regulable mediante Push



14b



120V

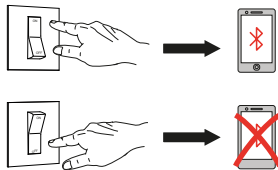




14d



120 V



ONLY: 2060018APP, 2061018APP, 2062018APP

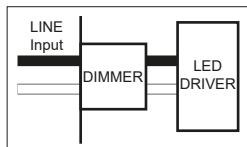
white/blanc/blanco		white/blanc/blanco
green/vert/verde		green/vert/verde
black/noir/negro		black/noir/negro

14c



120 V

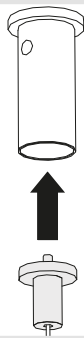
Phase cut  
Coupure de phase  
Corte de fase



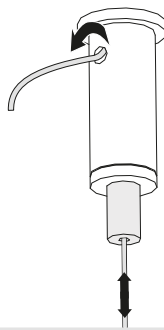
ONLY 2060118A, 2061118A, 2062118A

white/blanc/blanco		white/blanc/blanco
green/vert/verde		green/vert/verde
black/noir/negro		black/noir/negro

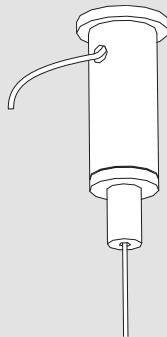
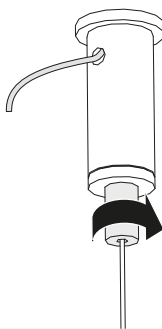
15



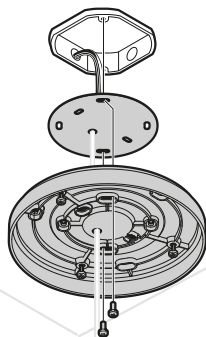
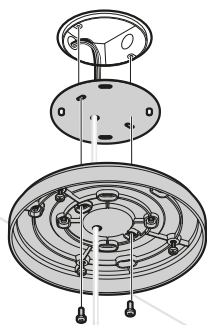
16



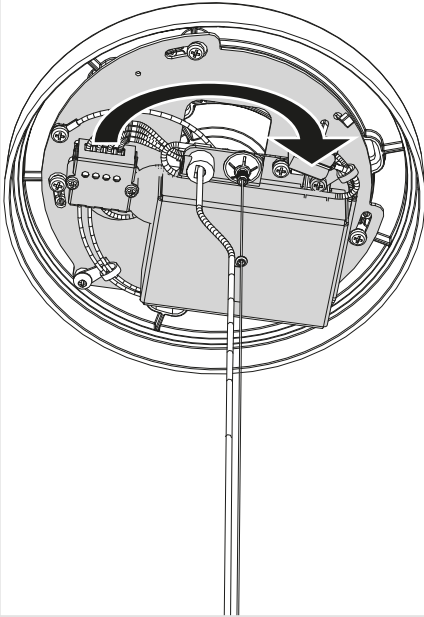
17



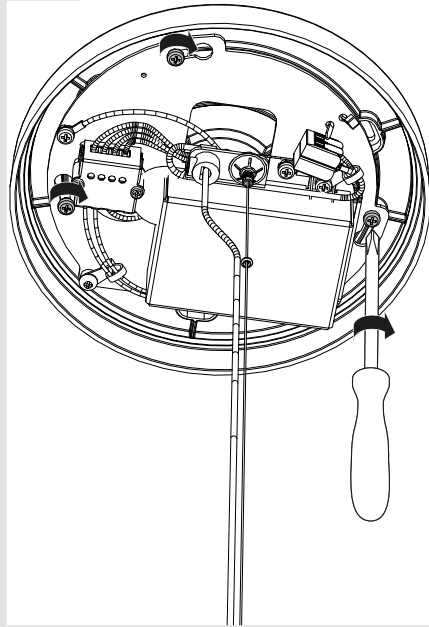
18



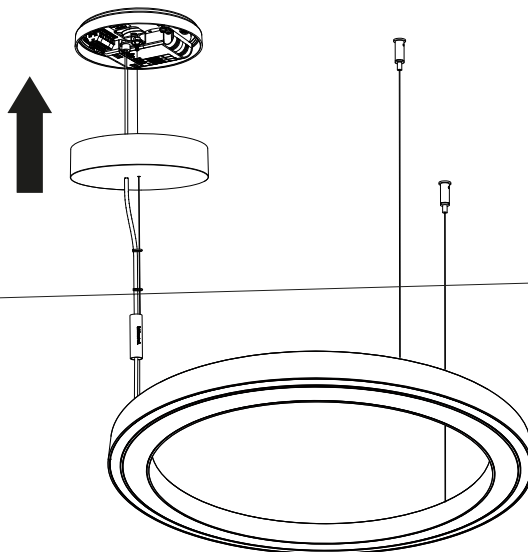
19



20

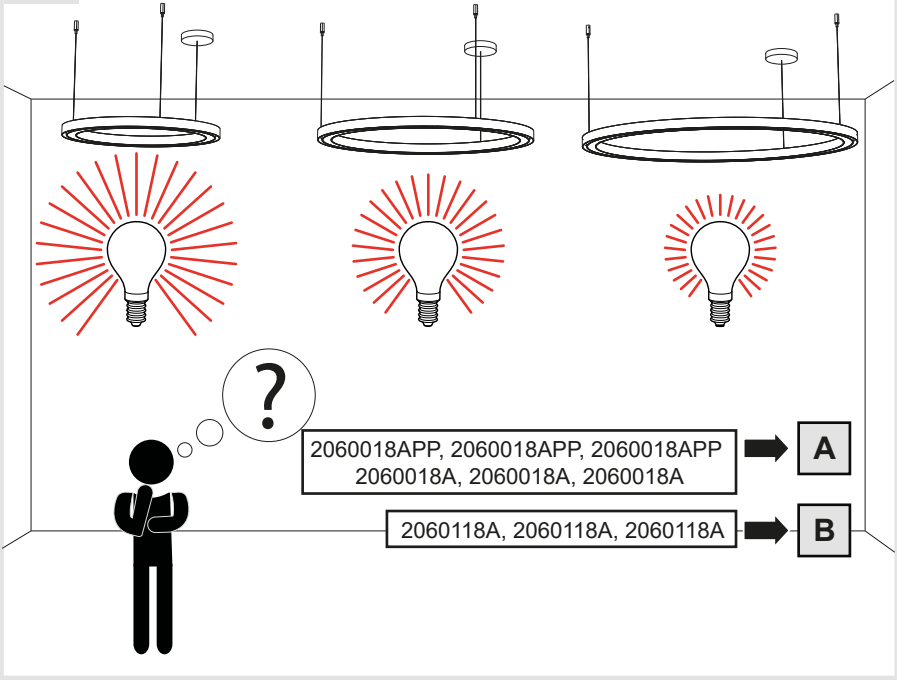


21

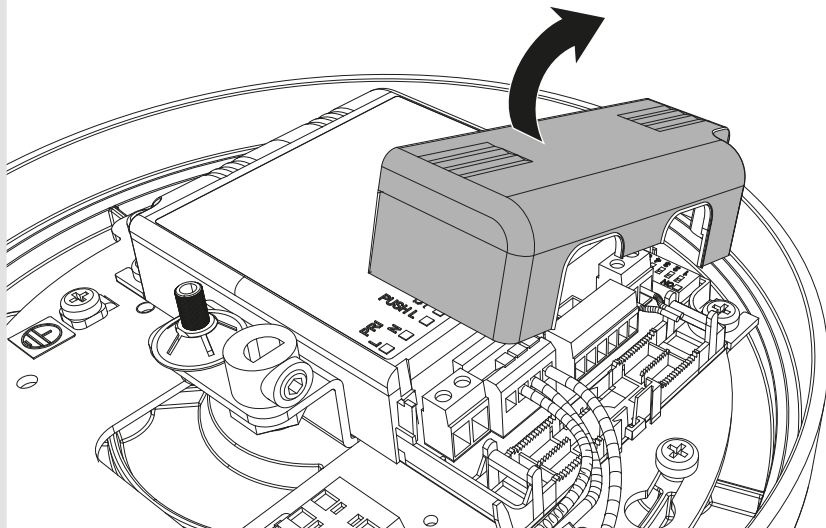




**i**

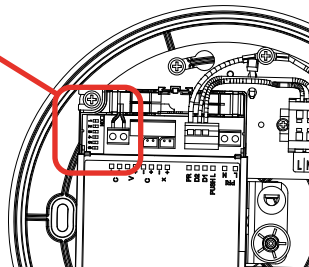


**A1**

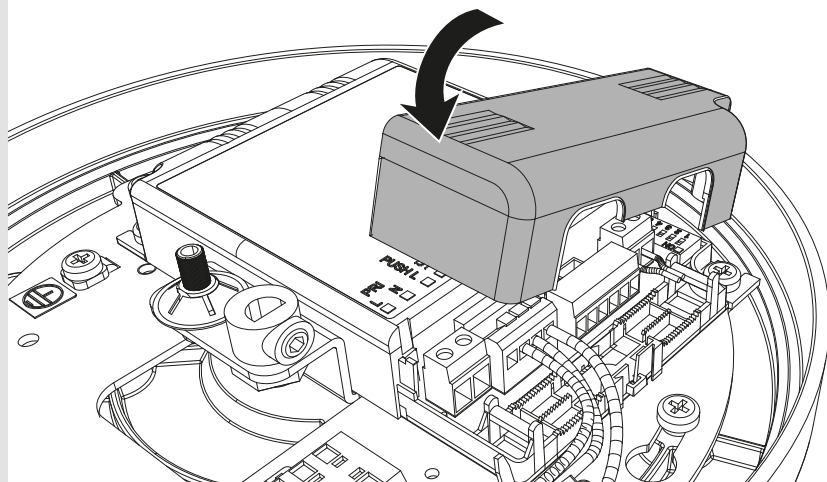


## A2

RIPPLE 50	<input type="checkbox"/> ON 1 2 3 4 5 6
RIPPLE 70	<input type="checkbox"/> ON 1 2 3 4 5 6
RIPPLE 90	<input type="checkbox"/> ON 1 2 3 4 5 6

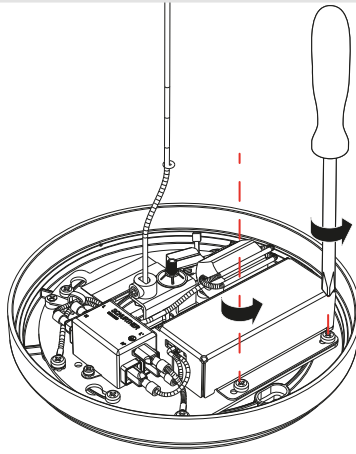


## A3

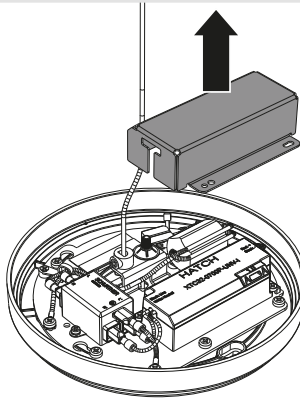




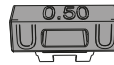
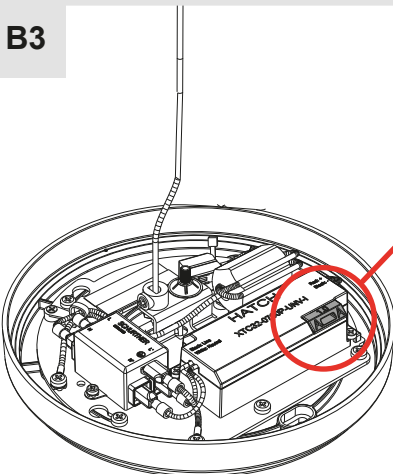
**B1**



**B2**



**B3**



RIPPLE 50



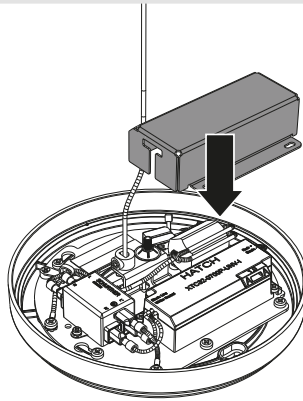
RIPPLE 70



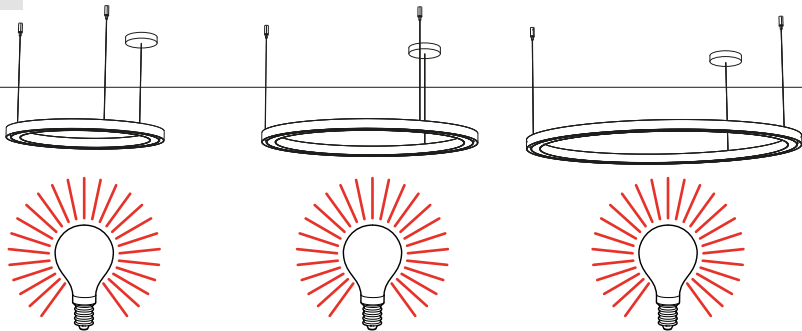
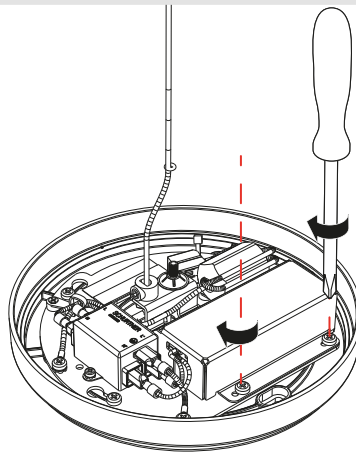
RIPPLE 90



B4

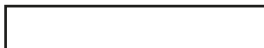


B5









**Artemide**

via Bergamo, 18  
20010 Pregnana M.se (MI)  
ITALIA

tel. +39 02 935 181  
fax +39 02 935 90 254  
fax +39 02 935 90 496

[www.artemide.com](http://www.artemide.com)

VAT IT00846890150

**Artemide Inc.**

250 Karin Lane  
Hicksville, NY 11801

Tel. 631 694 9292  
Toll Free 1-877-Art-9111  
Fax 631 694 9275

[www.artemide.net](http://www.artemide.net)

**Artemide Ltée/Ltd.**

11105 rue Renaude Lapointe  
Montréal, Québec H1J 2T4

Tel. 514 323 6537  
Toll Free 888 777 2783  
Fax 514 323 8864

[www.artemide.net](http://www.artemide.net)

cod. Y513001372A