

# Ripple 90 suspension

2062118A

## SPECIFICATIONS



**Design By**  
BJARKE INGELS GROUP

**Collection**  
Design



<b>Specifications</b>	
Delivered lumens	2775.07lm
Light output ratio	77.1lm/W
Power consumption	36W
Led type	34W Array*
CCT (Correlated Color Temperature)	3000K
CRI (Color Rendering Index)	>90
Life expectancy	50000Hrs
Control type	Dimmable 2-Wire
Input Voltage	120-277V
Driver	HATCH - 1 x XTC32-0700P-UNV-I

### Colors & Finishes

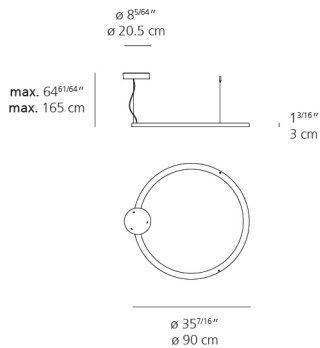
White

### Materials

- Ring in aluminum
- Canopy in thermoplastic

### Features & Accessories

### Dimensions



### Packaging

2 Boxes

1 x 39-7/16" x 39-7/16" x 6" / 14.55 lbs - 100 cm x 100 cm x 15 cm / 6.6 kg

1 x 12-5/16" x 12-5/16" x 4-13/16" / 3.97 lbs - 31 cm x 31 cm x 12 cm / 1.8 kg

### Light distribution

Direct

### Luminaire weight

2.76 lbs / 1.25 kg

### Warranty

5 year limited warranty