

Ripple 90 suspension

2062018A

SPECIFICATIONS



Design By

BJARKE INGELS GROUP

Collection

Design



Specifications

| | |
|------------------------------------|------------------|
| Delivered lumens | 3308.69lm |
| Light output ratio | 87.1lm/W |
| Power consumption | 38W |
| Led type | 36W Array* |
| CCT (Correlated Color Temperature) | 3000K |
| CRI (Color Rendering Index) | >90 |
| Life expectancy | 50000Hrs |
| Control type | Dimmable 0-10V |
| Input Voltage | 120V |
| Driver | TCl - 1 x 125504 |

Colors & Finishes

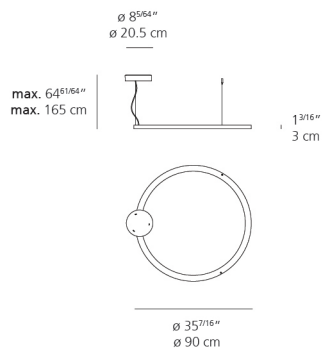
White

Materials

- Ring in aluminum
- Canopy in thermoplastic

Features & Accessories

Dimensions



Packaging

2 Boxes

1 x 39-7/16" x 39-7/16" x 6" / 14.55 lbs - 100 cm x 100 cm x 15 cm / 6.6 kg

1 x 12-5/16" x 12-5/16" x 4-13/16" / 3.97 lbs - 31 cm x 31 cm x 12 cm / 1.8 kg

Light distribution

Direct

Luminaire weight

14.55 lbs / 6.6 kg

Warranty

5 year limited warranty