

Ripple cluster suspension

2063018A

SPECIFICATIONS



Design By

BJARKE INGELS GROUP

Collection

Design



Specifications

Delivered lumens	5510.14lm
Light output ratio	61.9lm/W
Power consumption	89W
Led type	84W Array*
CCT (Correlated Color Temperature)	3000K
CRI (Color Rendering Index)	>90
Life expectancy	50000Hrs
Control type	Dimmable 0-10V
Input Voltage	120-277V
Driver	MEAN WELL - 1 x PWM-90-48

Colors & Finishes

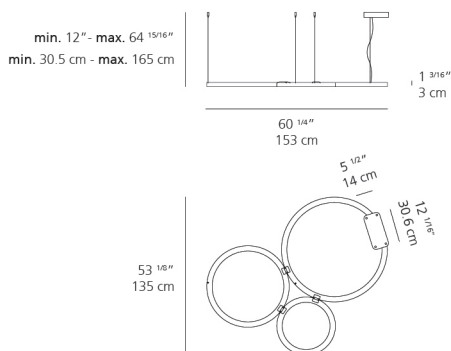
White

Materials

- Aluminum Ring, Thermoplastic Canopy

Features & Accessories

Dimensions



Packaging

2 Boxes

1 x 65" x 59-1/8" x 6" / 32.63 lbs - 165 cm x 150 cm x 15 cm / 14.8 kg

1 x 16-5/8" x 7-15/16" x 4" / 4.63 lbs - 42 cm x 20 cm x 10 cm / 2.1 kg

Light distribution

Direct

Luminaire weight

4.19 lbs / 1.9 kg

Warranty

5 year limited warranty