

Artemide®

LA LINEA

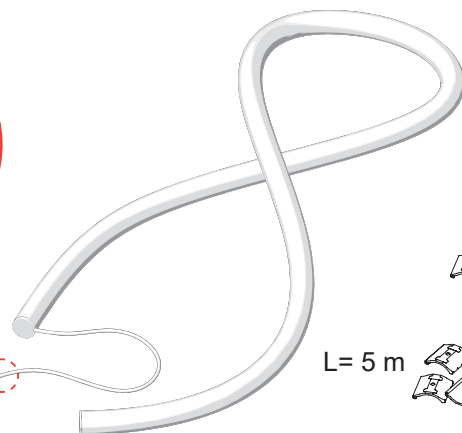
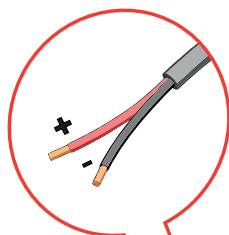
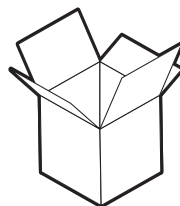
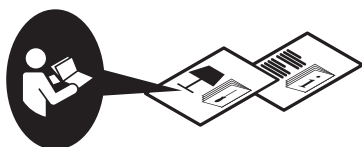
design
BIG





i

		IP65		LED 0
		IK08	CLASS 2	suitable for wet locations convient aux endroits humides Ato para ubicación húmeda



L = 2,5 m




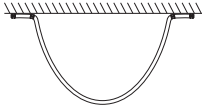
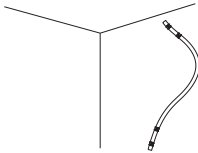
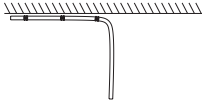
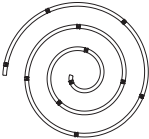
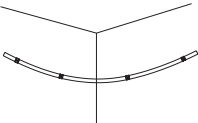
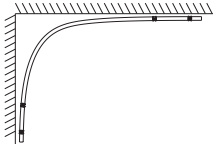
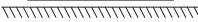
L = 5 m



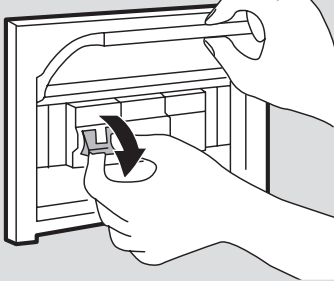
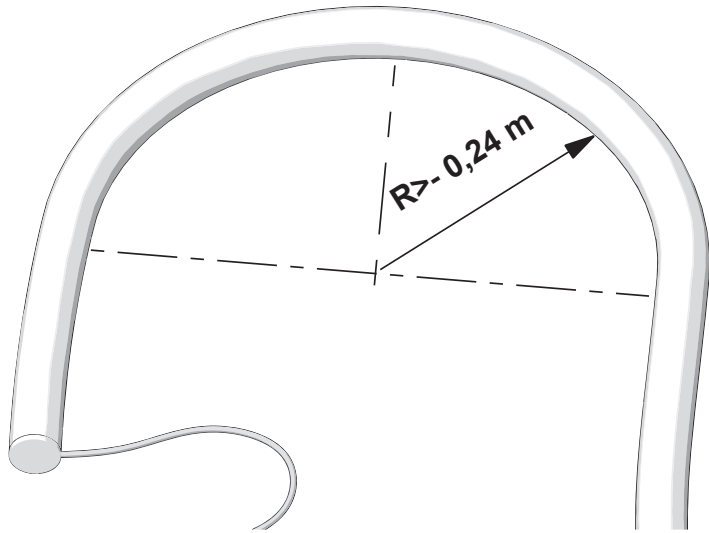


i

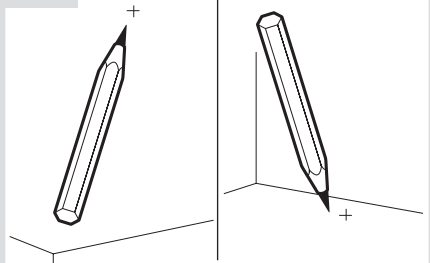
WALL CEILING FLOOR

	✓	✓	—
	X	✓	—
	✓	—	—
	X	X	—
	✓	✓	—
	✓	—	—
	✓	✓	—
	—	—	✓

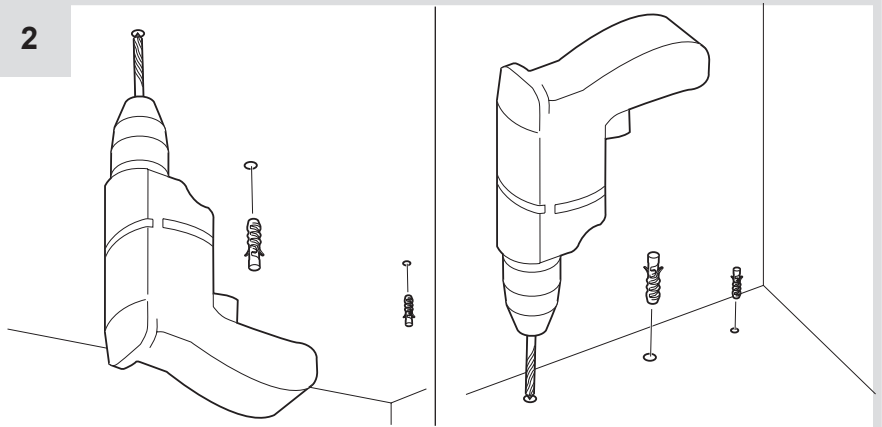
i



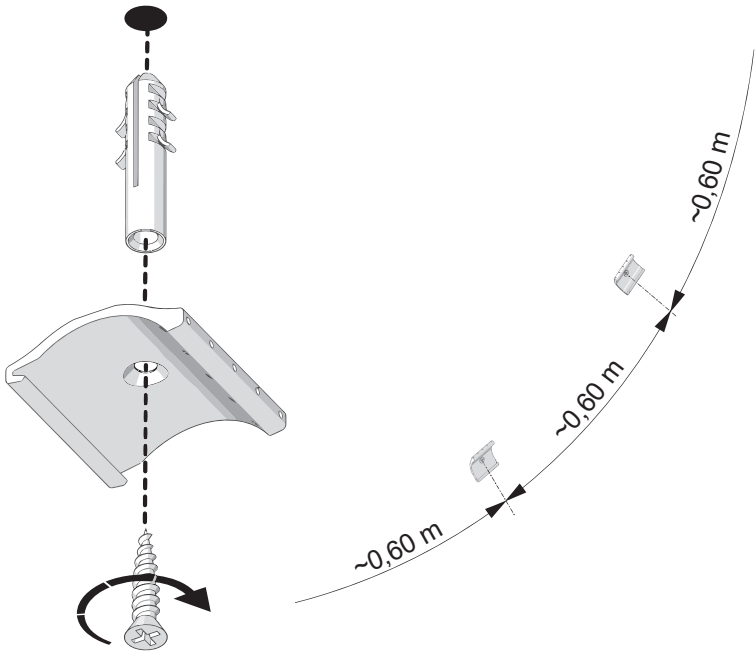
1



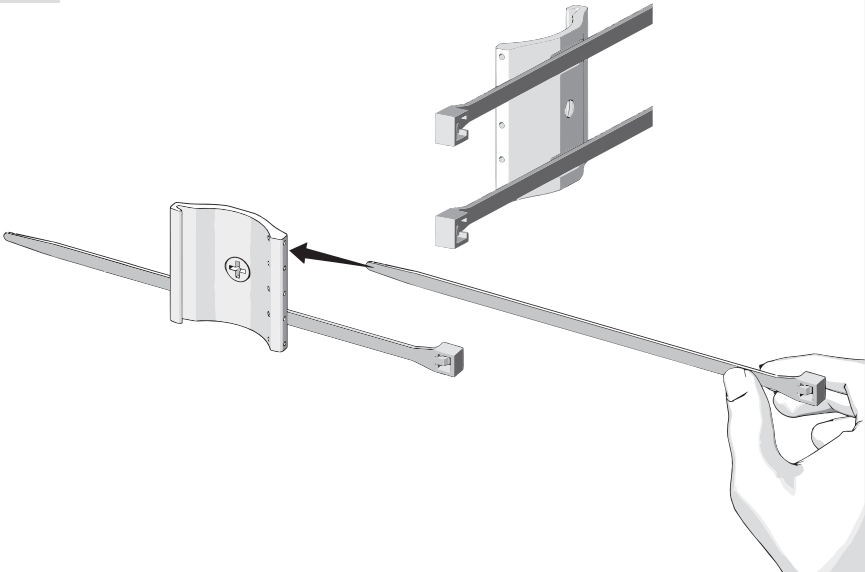
2



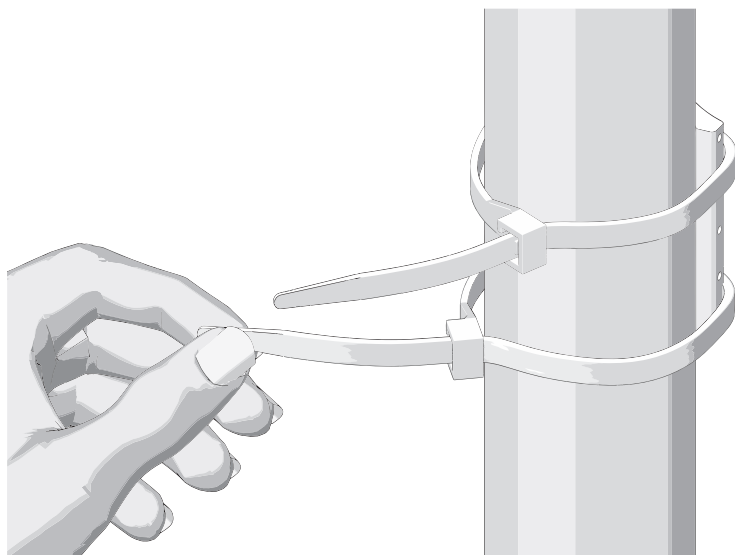
3



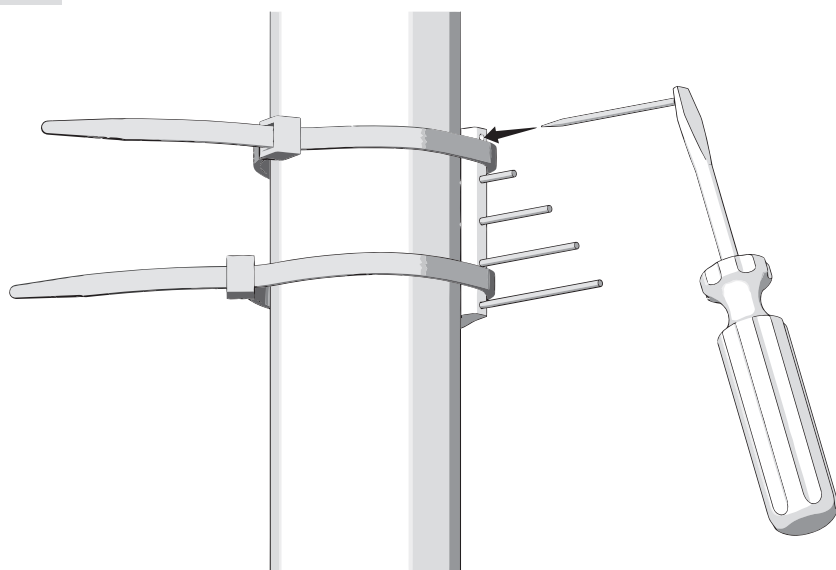
4



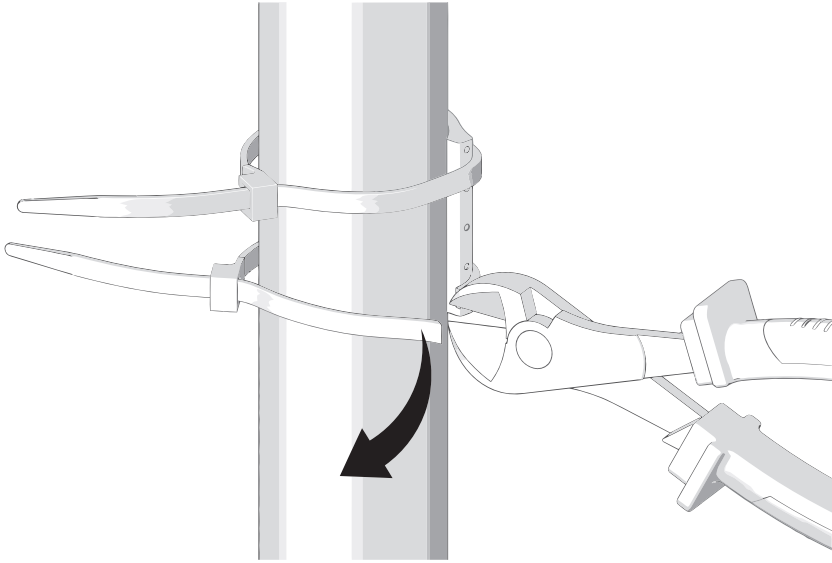
5



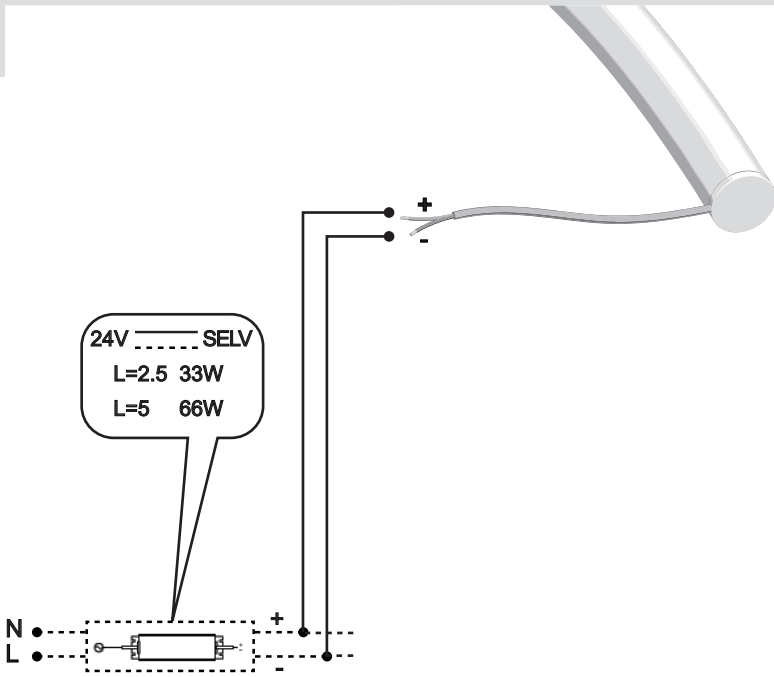
6



7



8



7

For USA/Canada Only

Use only with class 2 power unit

-
Utiliser exclusivement avec class 2
alimentation

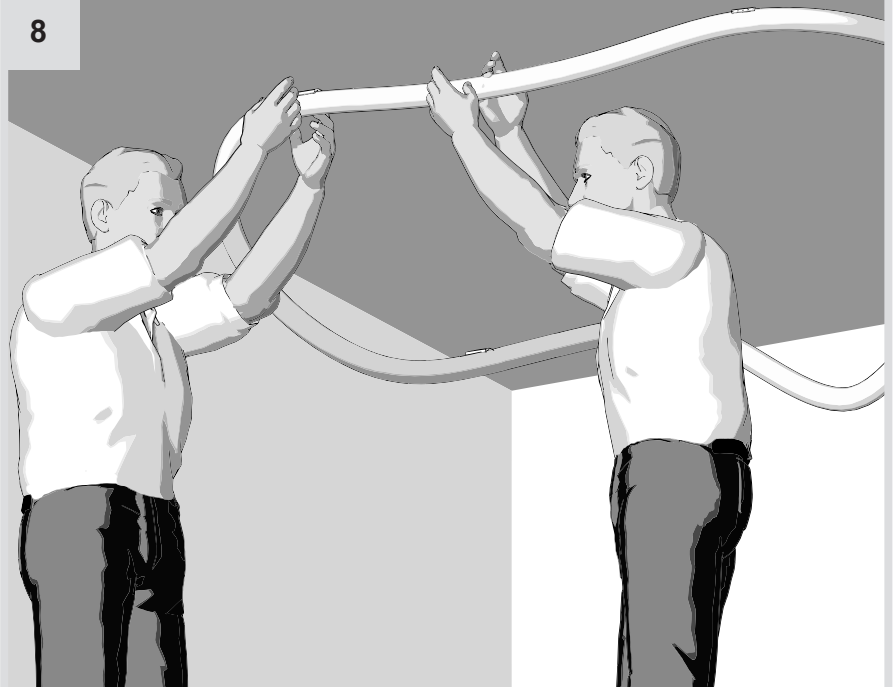
-Utilícese únicamente con unidad
de alimentación de clase 2

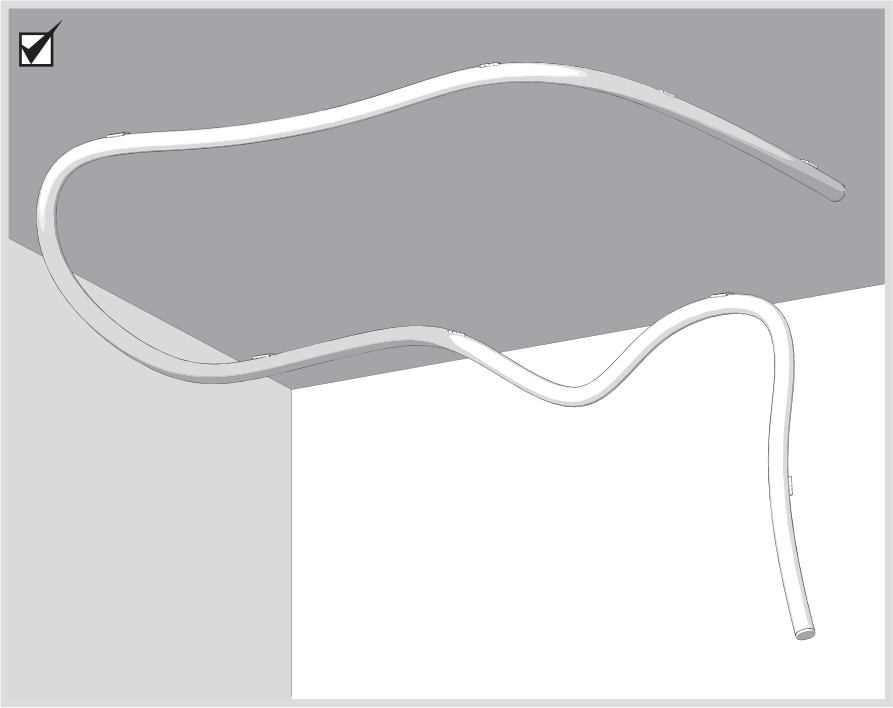
24V ----- SELV
L=2.5 33W
L=5 66W

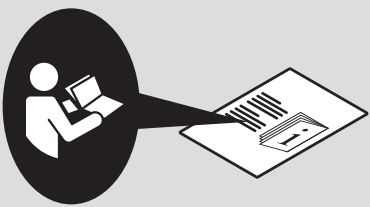
100-277 V

+ ● red/rouge/rojo
- ● black/noir/negro

8







Artemide®



Artemide

via Bergamo, 18
20010 Pregnana M.se (MI)
ITALIA

tel. +39 02 935 181
fax +39 02 935 90 254
fax +39 02 935 90 496

www.artemide.com

VAT IT00846890150

Artemide Inc.

250 Karin Lane
Hicksville, NY 11801

Tel. 631 694 9292
Toll Free 1-877-Art-9111
Fax 631 694 9275

www.artemide.net

Artemide Ltée/Ltd.

11105 rue Renaude Lapointe
Montréal, Québec H1J 2T4

Tel. 514 323 6537
Toll Free 888 777 2783
Fax 514 323 8864

www.artemide.net



cod. Y513001308