

Calipso Linear 180 suspension 3000K white

SPECIFICATIONS

0224018ADIM



Design By

Neil Poulton

Collection

Design



Specifications

Delivered lumens	4477lm
Light output ratio	71lm/W
Power consumption	65W
Led type	58W Array*
CCT (Correlated Color Temperature)	3000K
CRI (Color Rendering Index)	>90
Life expectancy	50000Hrs
Control type	Dimmable 2-Wire**
Input Voltage	120-277V
Driver	ERP POWER - 2 x PHB50W-1200-42

Colors & Finishes

White

*Integrated light source **2-wire dimming at 120VAC only

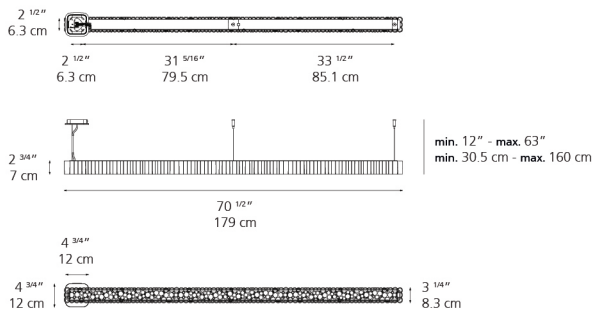
Materials

- Louver in ASA (Acrylonitrile Styrene Acrylate)

Features & Accessories

- The fractal shape of the small circles works as an optical grid
- Fractal shape of an impure geometry
- Direct diffused light output

Dimensions



Packaging

1 Box

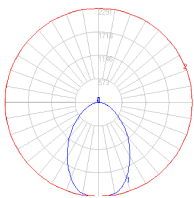
1 x 74-7/8" x 6-3/8" x 11-5/16" / 15.34 lbs - 190 cm x 16 cm x 28.5 cm / 6.96 kg

Light distribution

Direct

Luminaire weight

10.69 lbs / 4.85 kg



Red = Max Cd. Through Vertical plane

Blue = Max Cd. Through Horizontal plane

Warranty

last updated: 2022-10-26

We reserve the right to change specifications of our products.
For the latest product information please visit www.artemide.net

Artemide