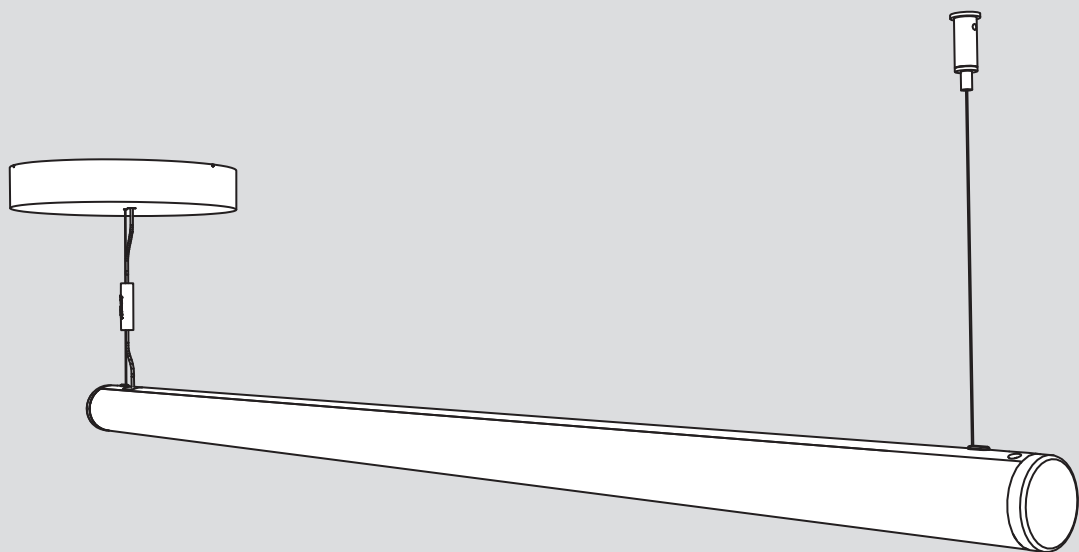


Artemide®

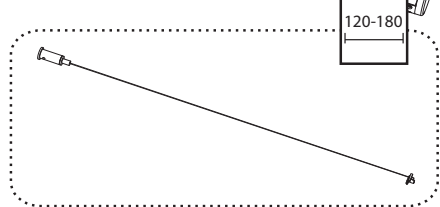
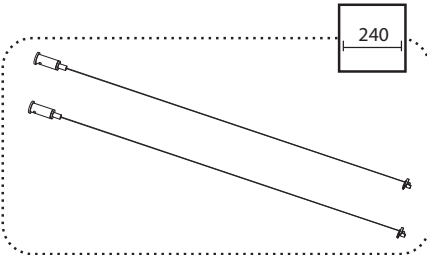
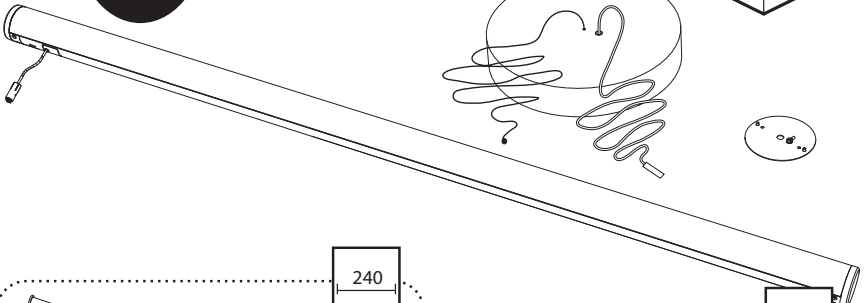
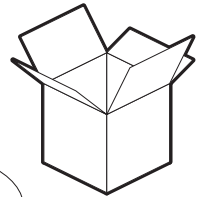
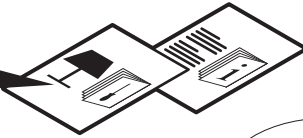
Alphabet of Light Linear 120/180/240

design
BIG

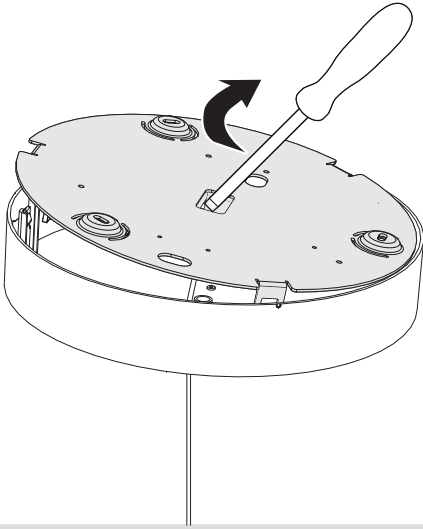




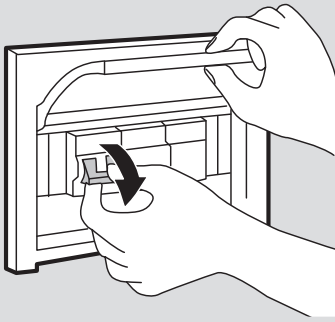
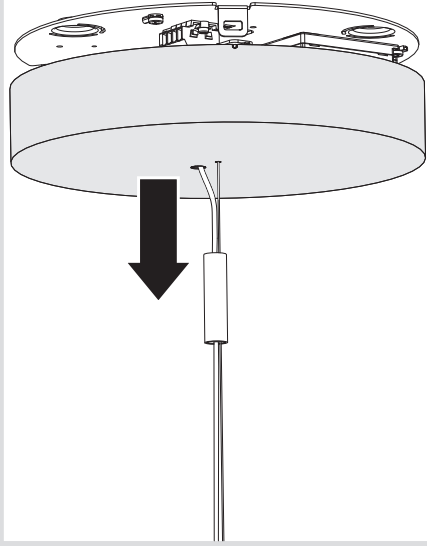
i



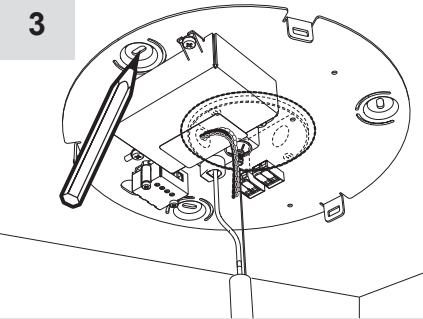
1



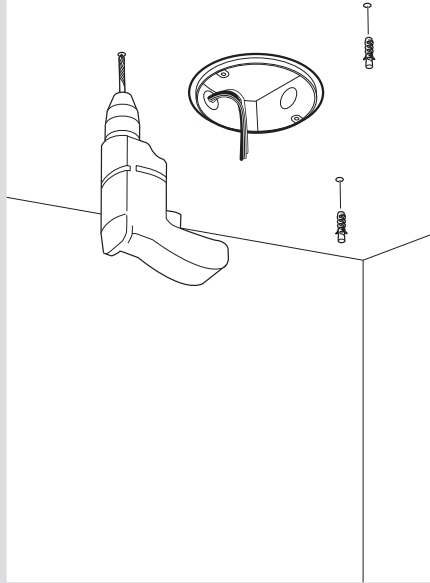
2



3



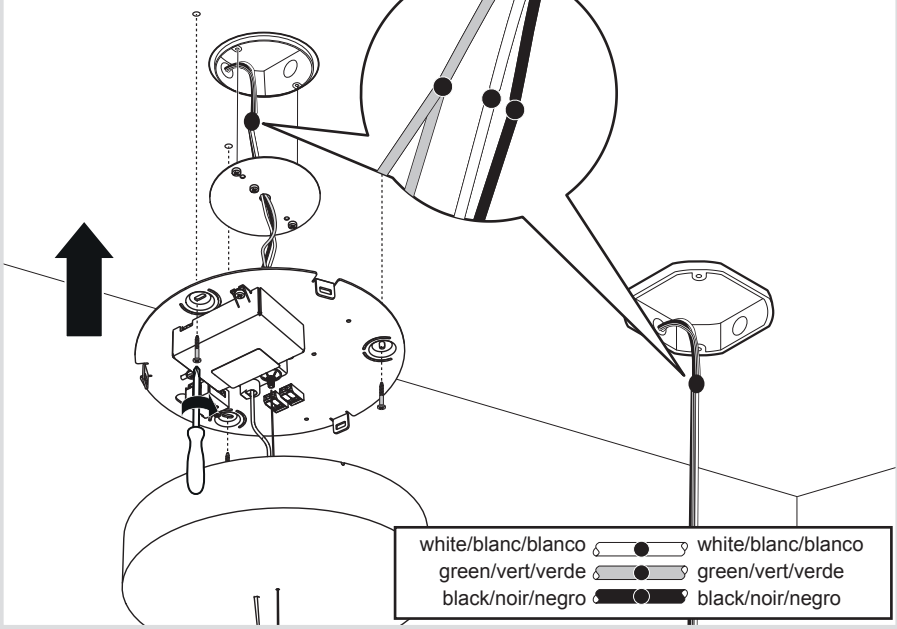
4



6a



120-277 V

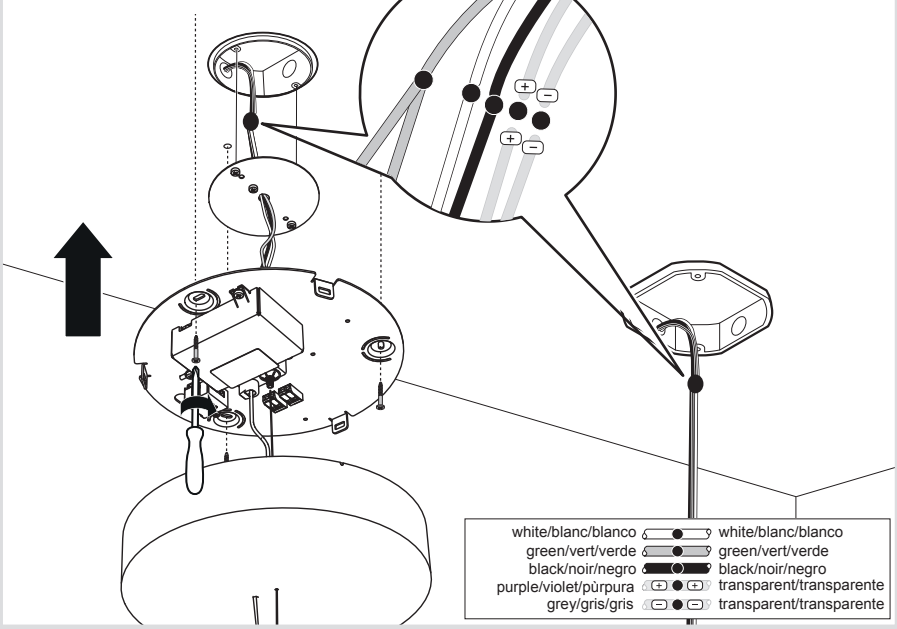


6b



120-277 V

1-10 V dimming control
Dimmable 1-10 V
Regulable mediante control 1-10 V

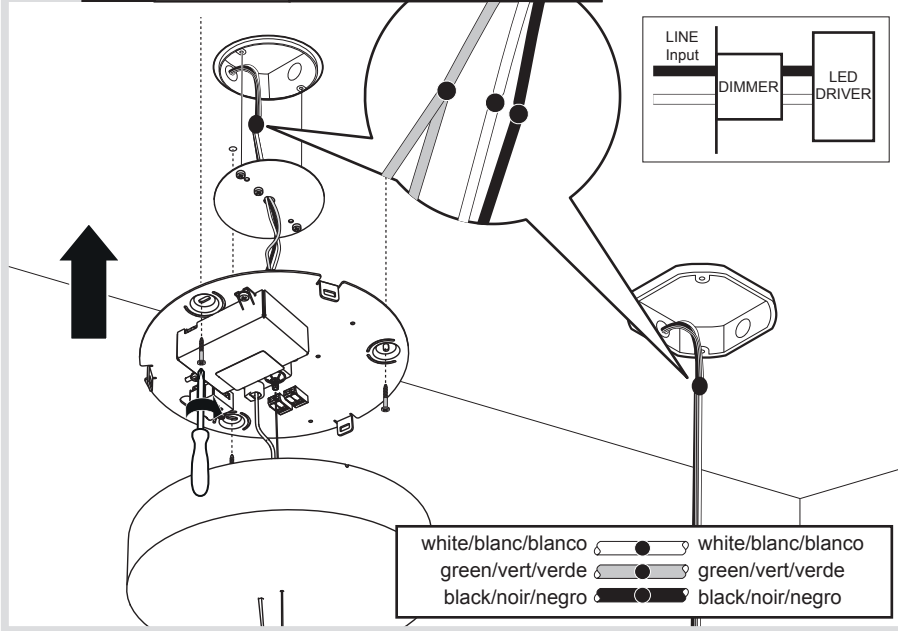
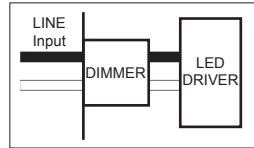


6c



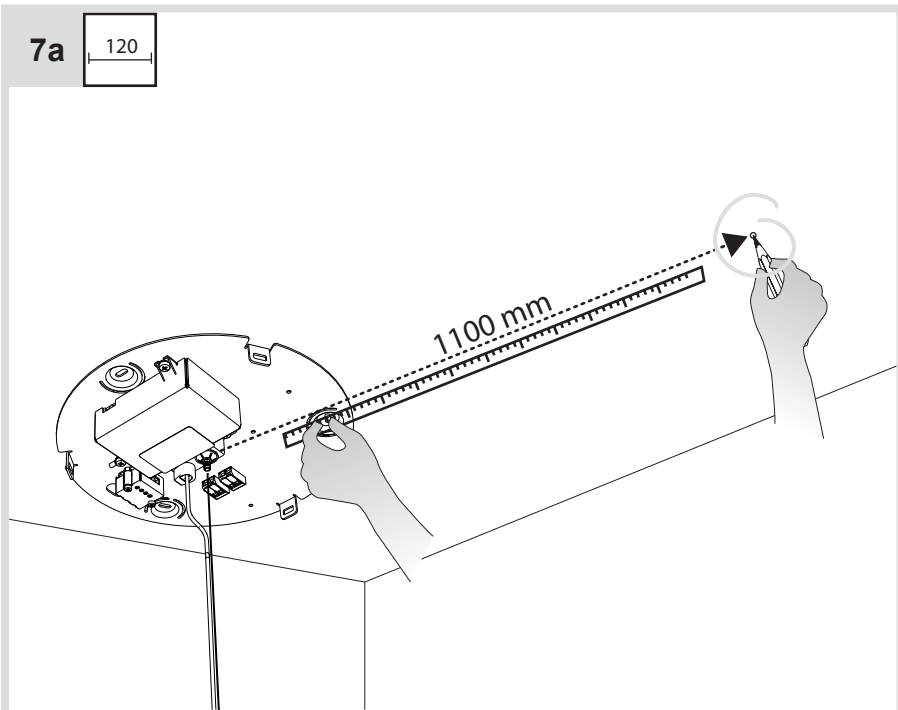
120 V

Phase cut
Coupure de phase
Corte de fase



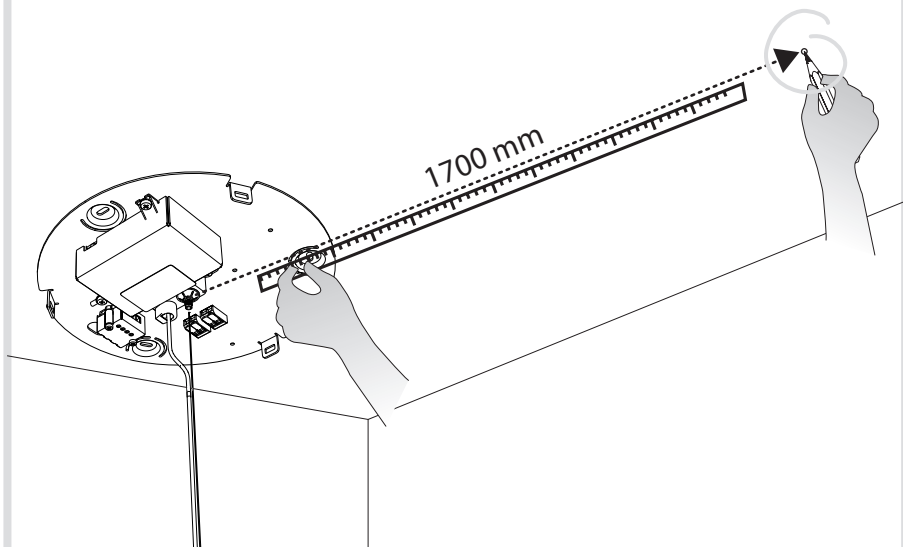
7a

120



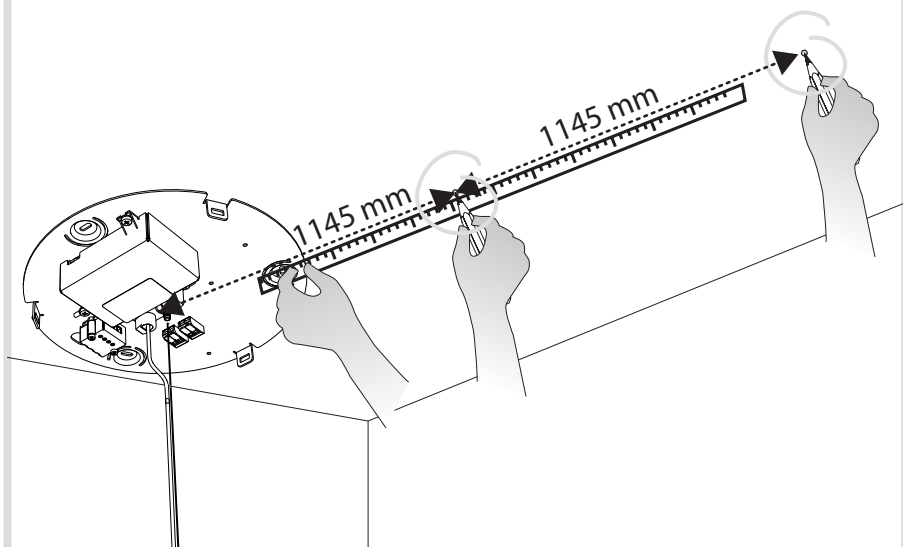
7b

180

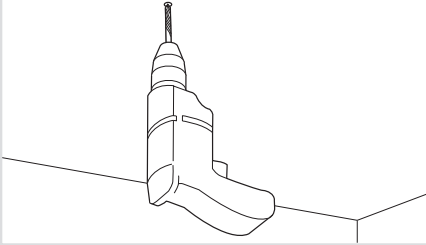


7c

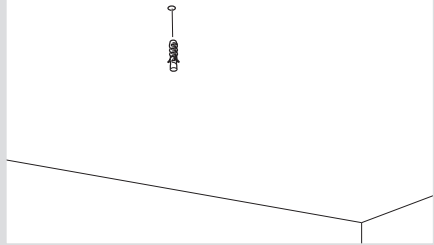
240



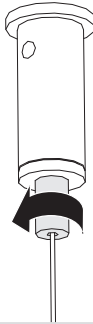
8



9



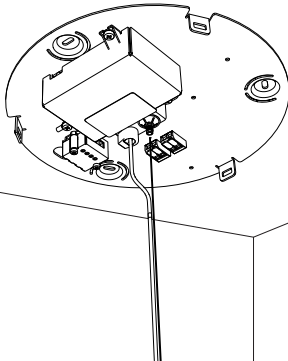
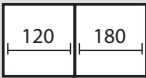
10



11

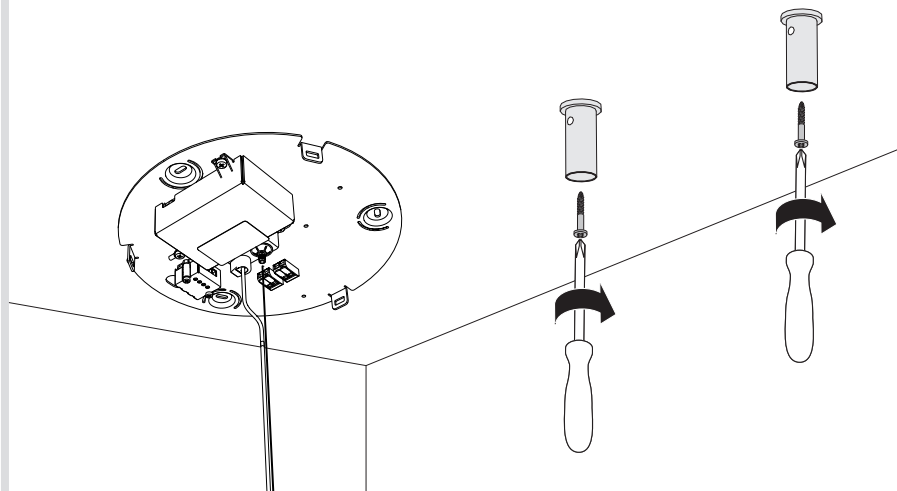


12a

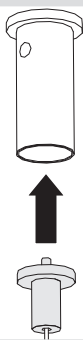


12b

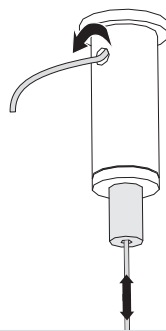
240



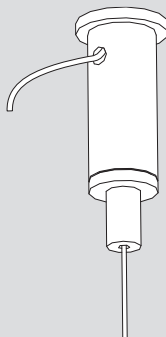
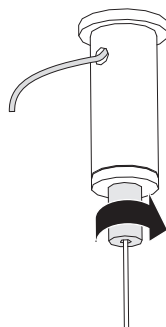
13



14

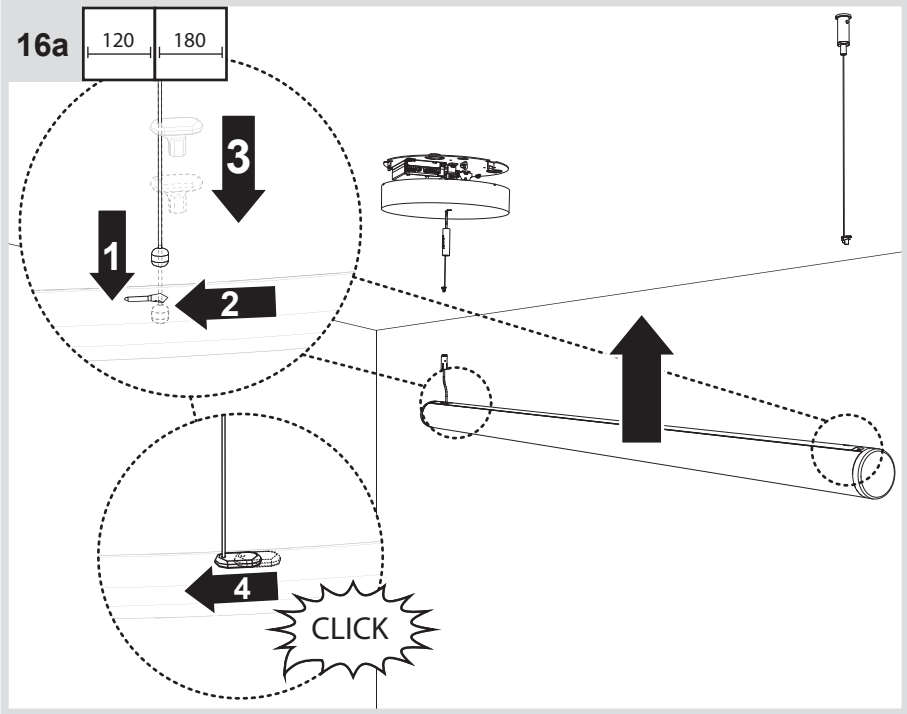


15



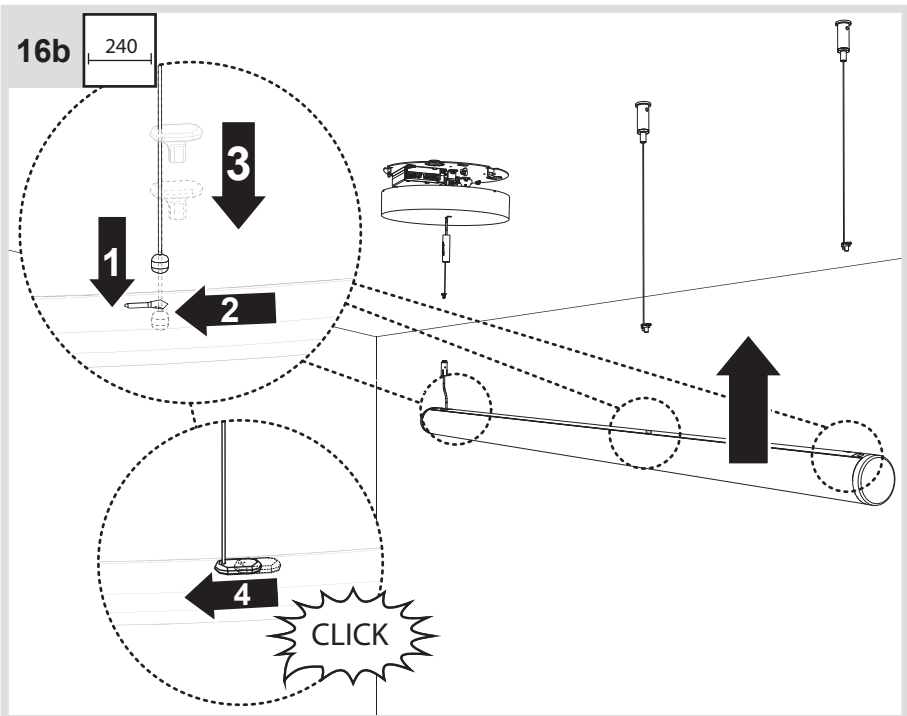
16a

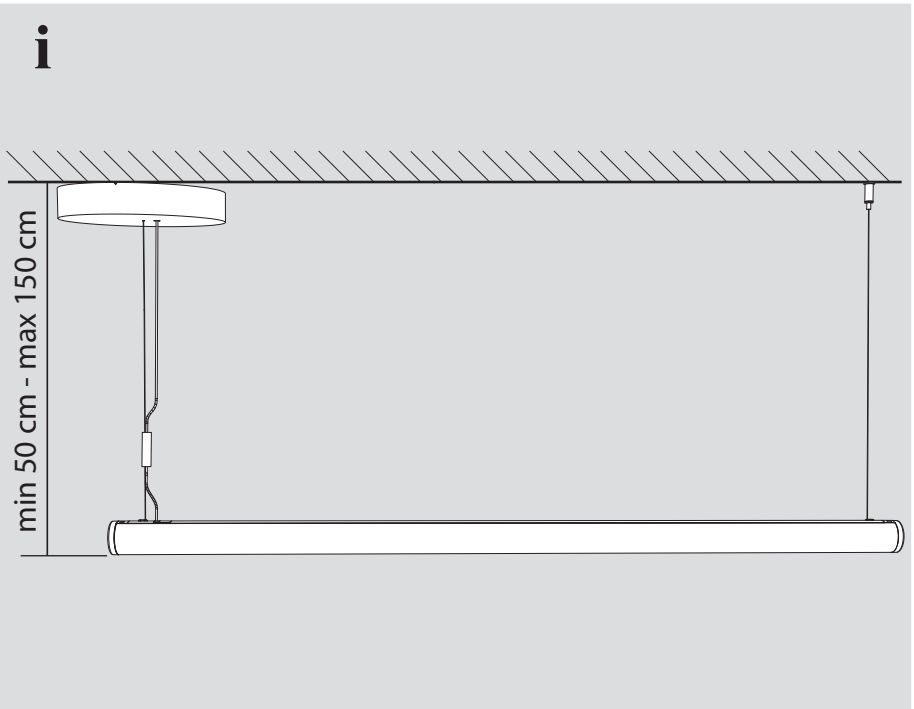
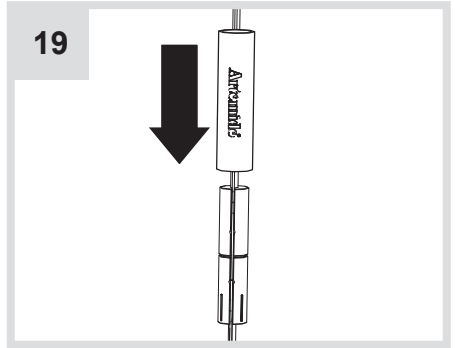
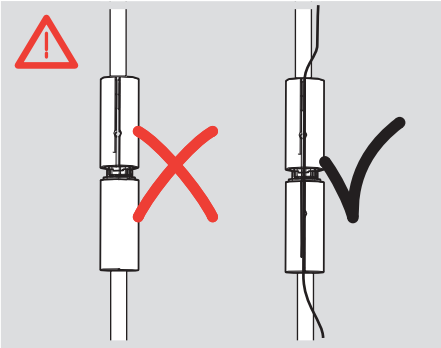
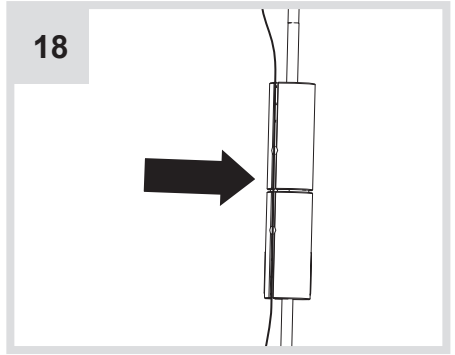
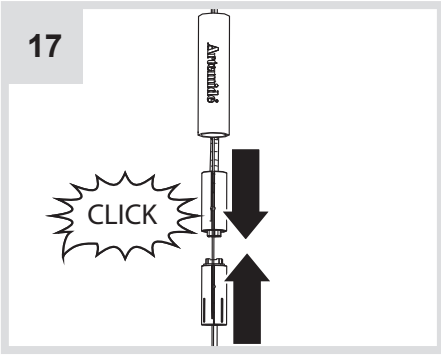
120 180

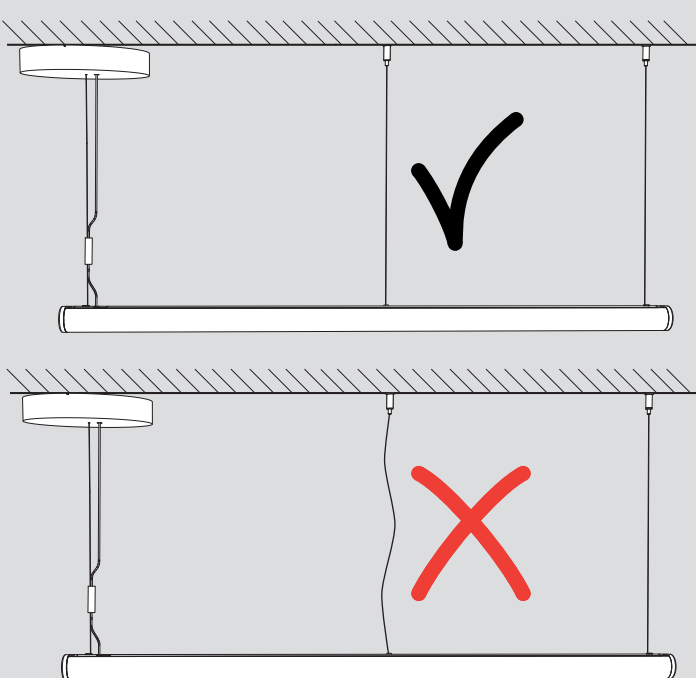
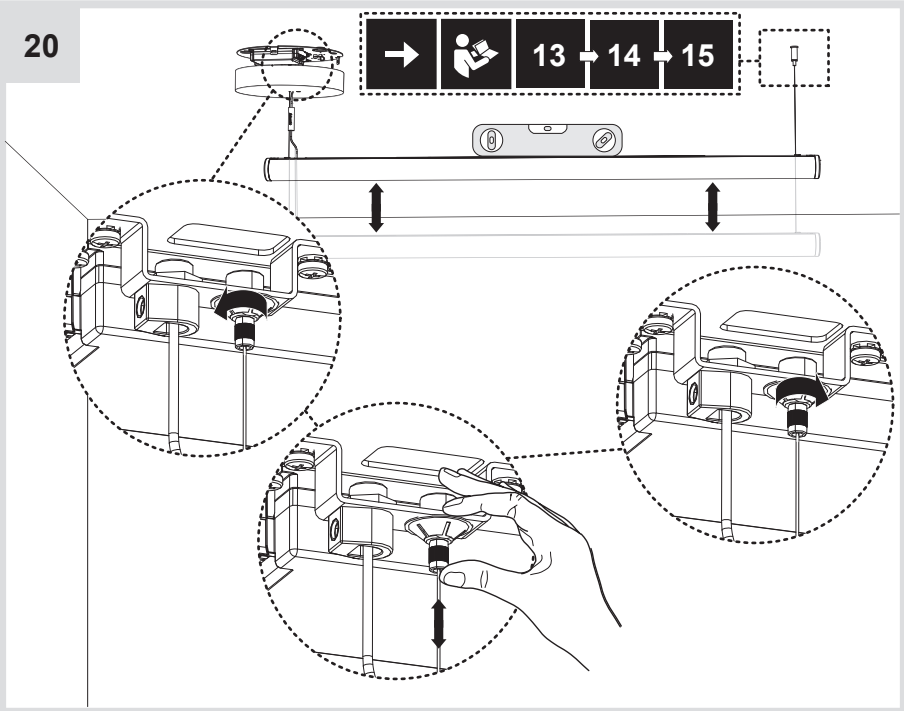


16b

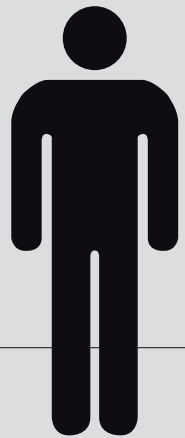
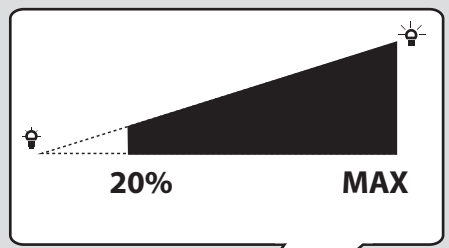
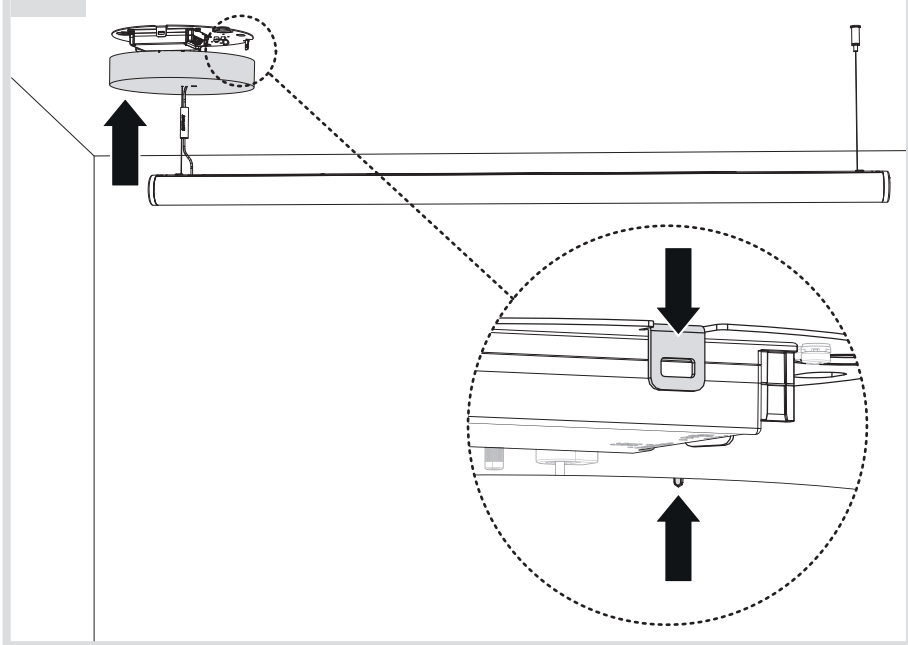
240

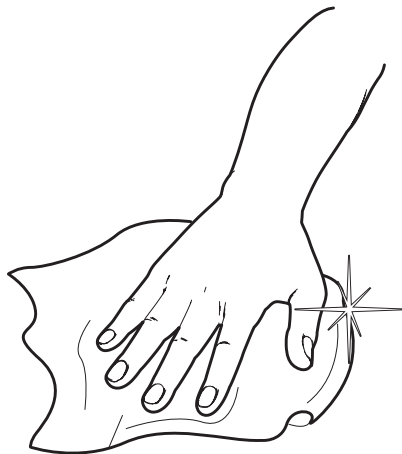




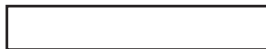


21





Artemide®



Artemide

via Bergamo, 18
20010 Pregnana M.se (MI)
ITALIA

tel. +39 02 935 181
fax +39 02 935 90 254
fax +39 02 935 90 496

www.artemide.com

VAT IT00846890150

Artemide Inc.

250 Karin Lane
Hicksville, NY 11801

Tel. 631 694 9292
Toll Free 1-877-Art-9111
Fax 631 694 9275

www.artemide.net

Artemide Ltée/Ltd.

11105 rue Renaude Lapointe
Montréal, Québec H1J 2T4

Tel. 514 323 6537
Toll Free 888 777 2783
Fax 514 323 8864

www.artemide.net

cod. Y513000874A