

# Alphabet Of Light Linear 240 suspension

## SPECIFICATIONS

1208008AST



### Design By

BJARKE INGELS GROUP

### Collection

Design



### Specifications

Delivered lumens	6968lm
Light output ratio	110.6lm/W
Power consumption	68W
Led type	59.1W Array*
CCT (Correlated Color Temperature)	3000K
CRI (Color Rendering Index)	>80
Life expectancy	50000Hrs
Control type	Dimmable 2-Wire / Dimmable 0-10V
Input Voltage	120-277V
Driver	N/A

### Colors & Finishes

- White (Diffuser & Canopy)
- Grey (Body)

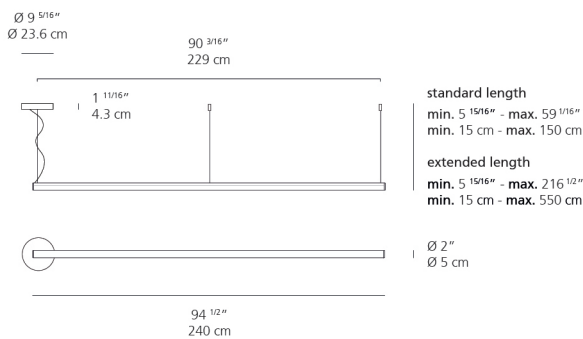
### Materials

- Illuminated tubes in opaque injection molded PMMA resin
- 360° light emission
- Aluminum frame suspended by steel cables

### Features & Accessories

- Suitable for damp locations
- Driver is compatible to both 2-wire dimming and 0-10V dimming options

### Dimensions



### Packaging

1 Box

1 x 98-1/2" x 12-1/8" x 12-1/8" / 13.67 lbs - 250 cm x 30.5 cm x 30.5 cm / 6.2 kg

### Light distribution

Direct/Indirect

### Luminaire weight

7.23 lbs / 3.28 kg

### Warranty

5 year limited warranty