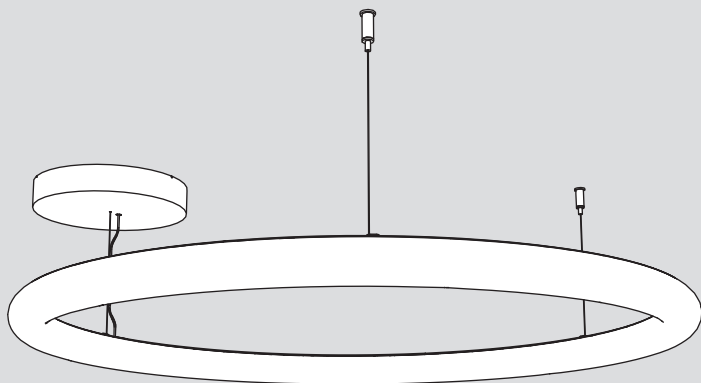


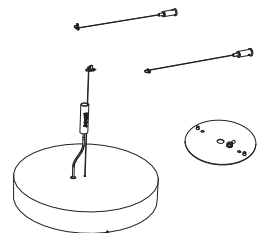
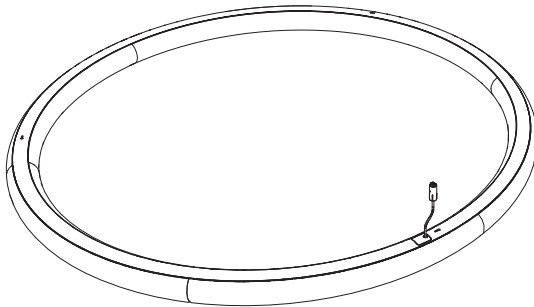
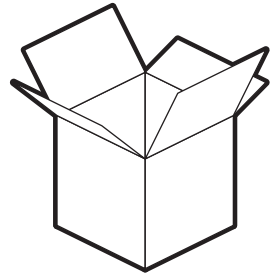
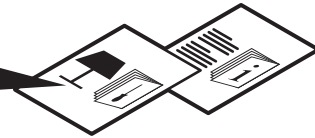
## Alphabet of Light Circular 90

design  
**BIG**

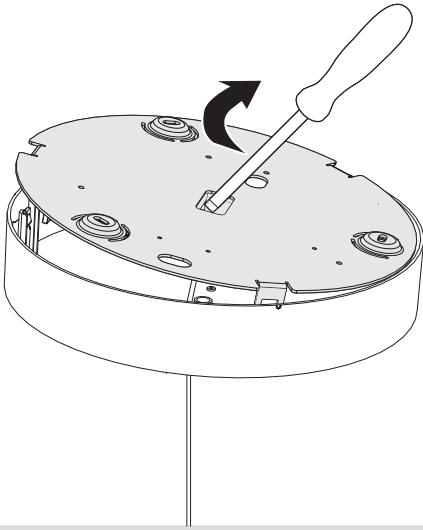




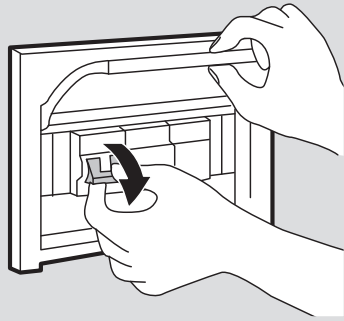
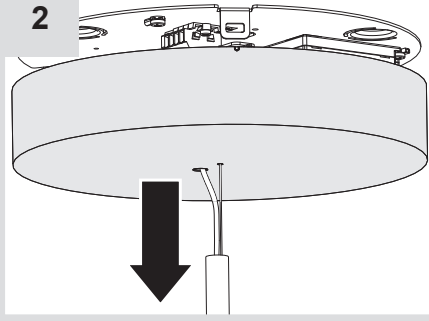
i



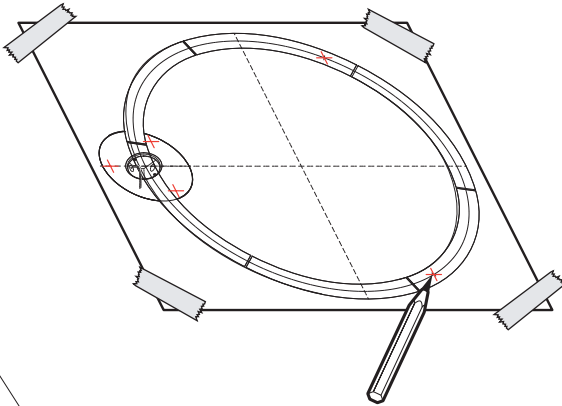
1

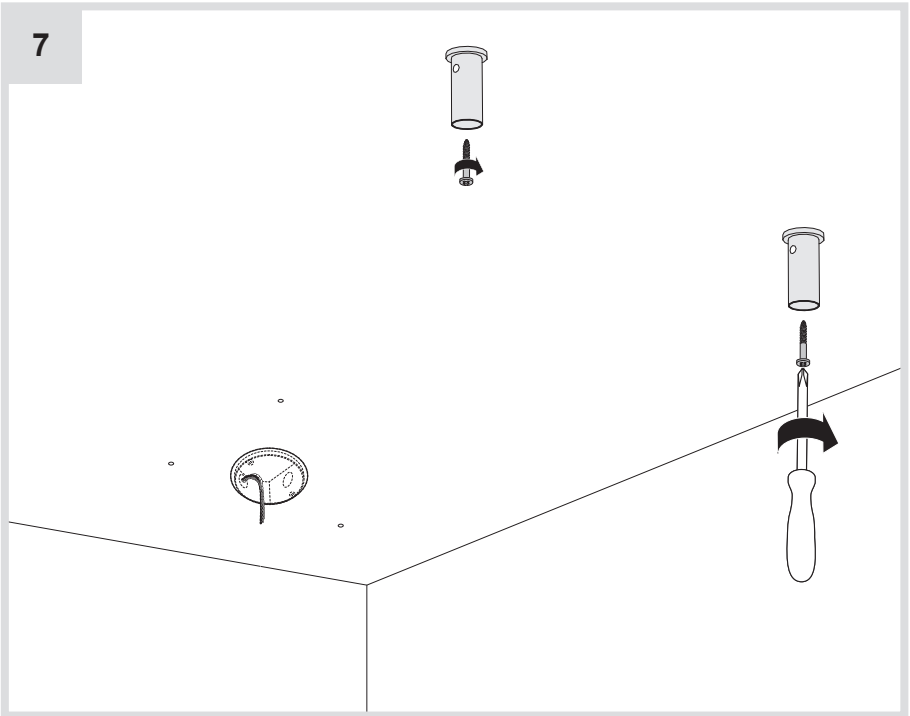
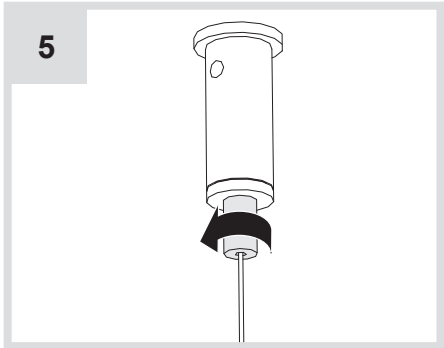
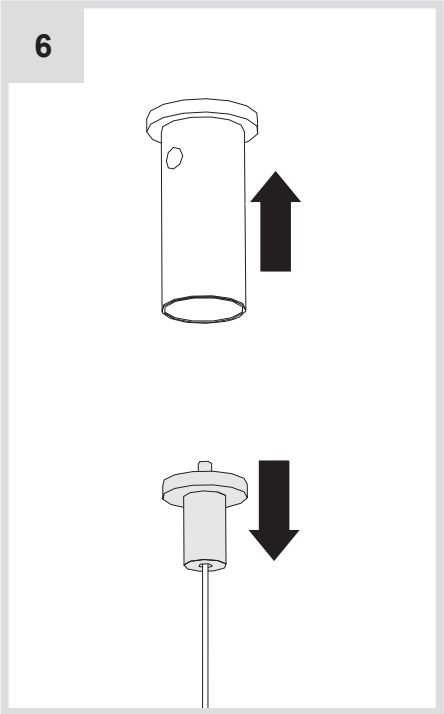
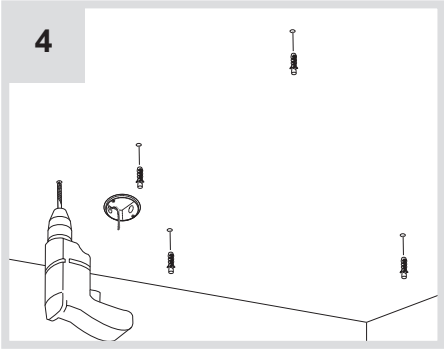


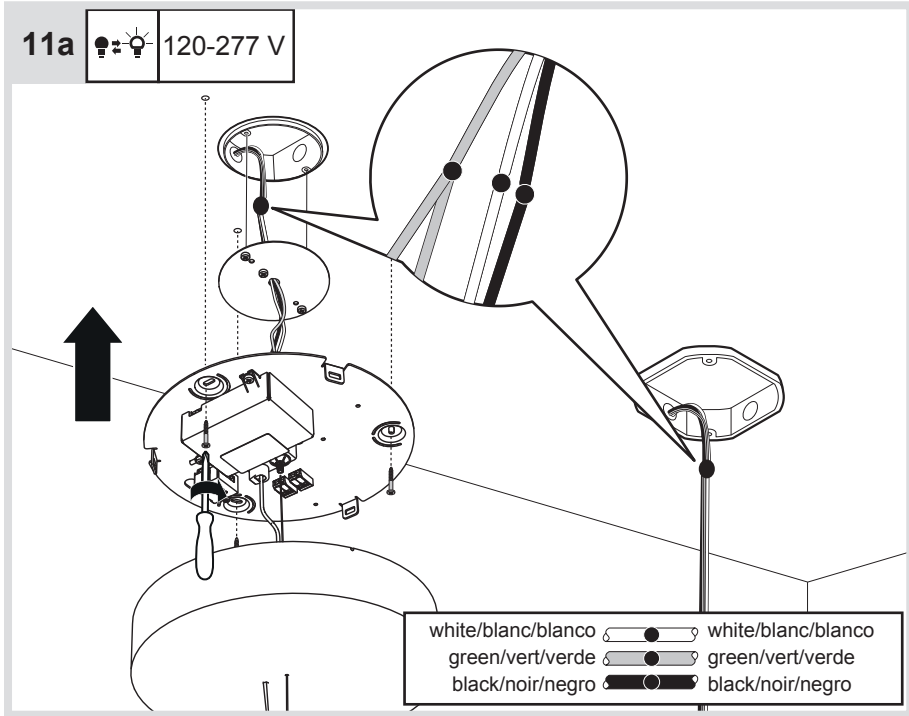
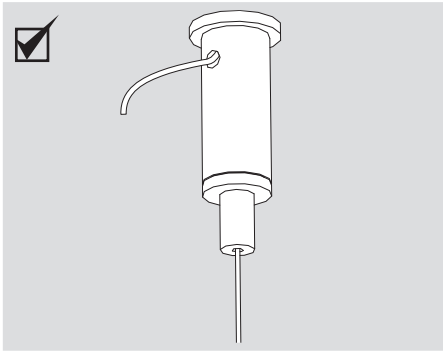
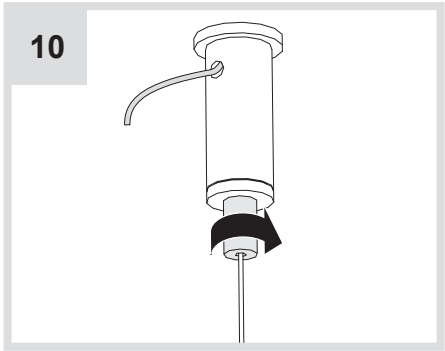
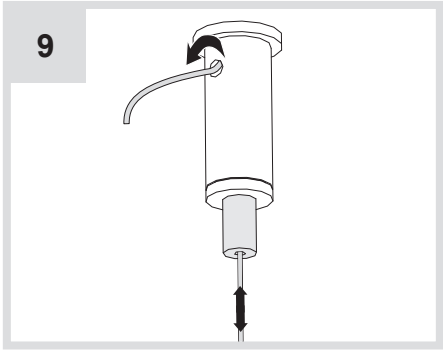
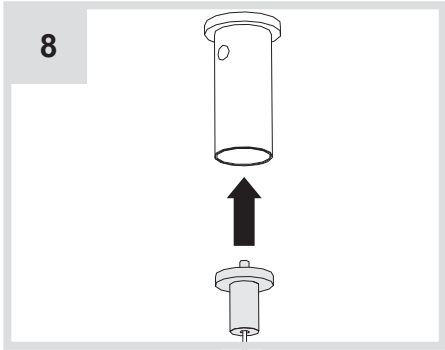
2



3





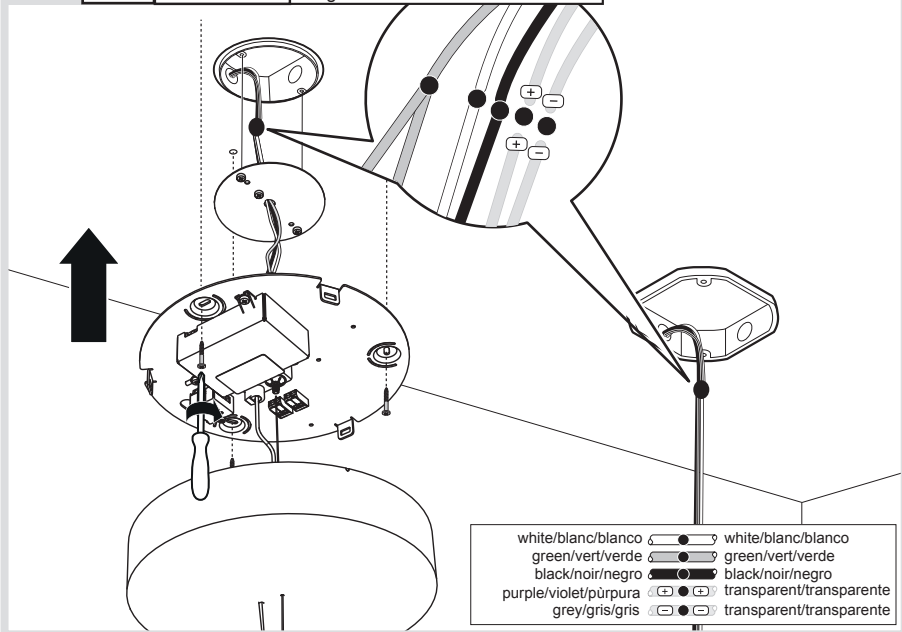


11b



120-277 V

1-10 V dimming control  
Dimmable 1-10 V  
Regulable mediante control 1-10 V

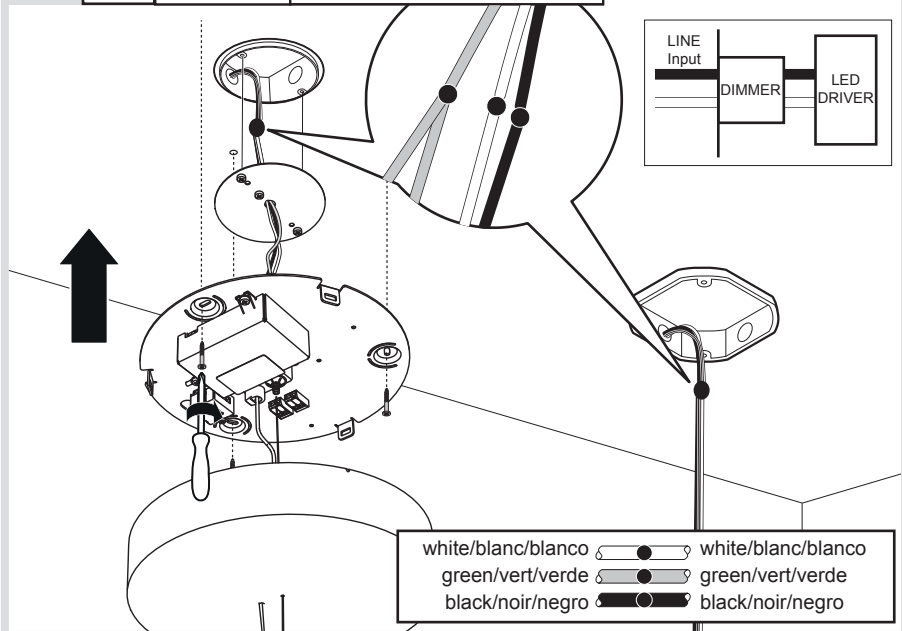


11c

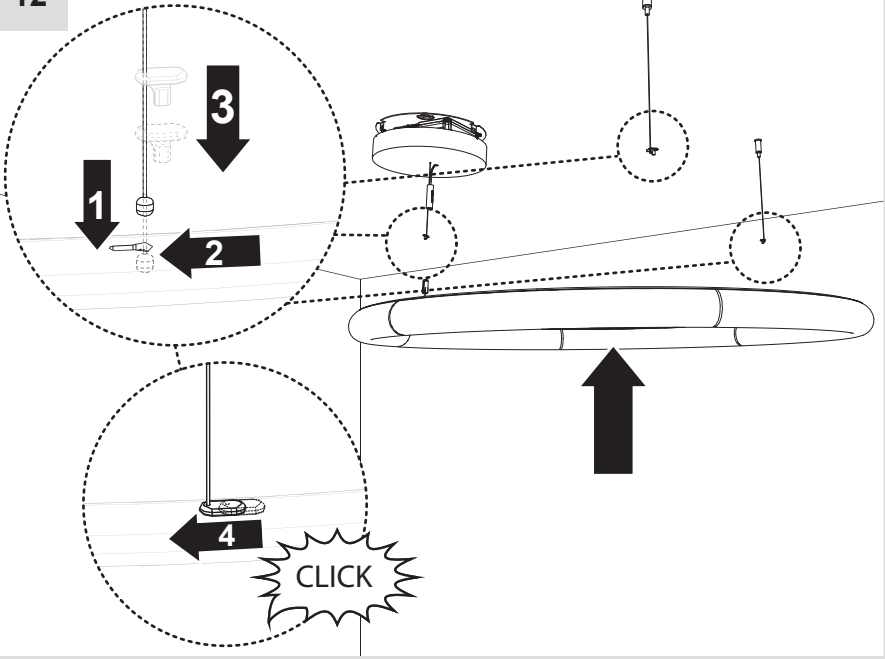


120 V

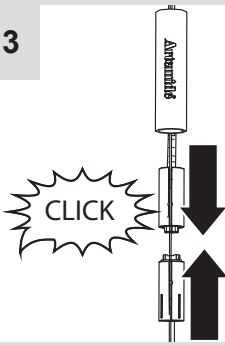
Phase cut  
Coupure de phase  
Corte de fase



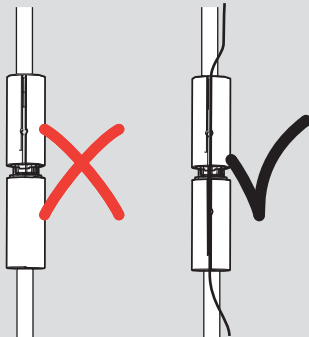
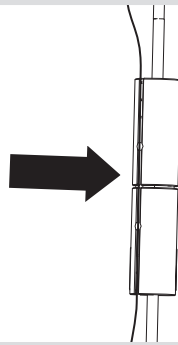
12



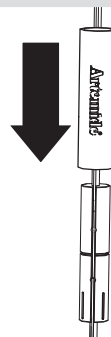
13



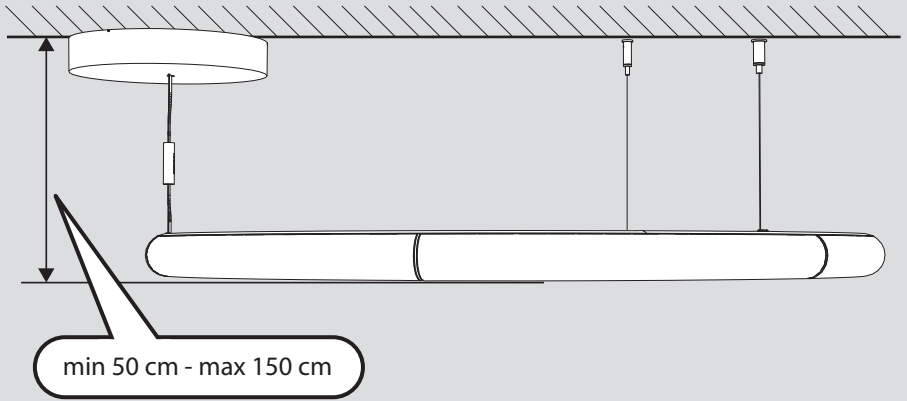
14



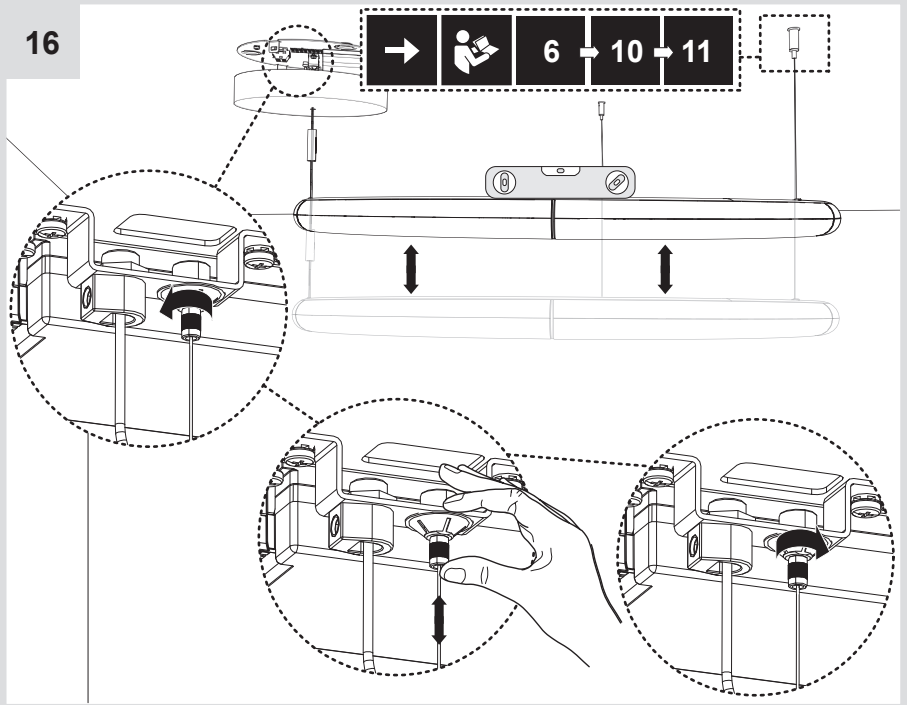
15



**i**

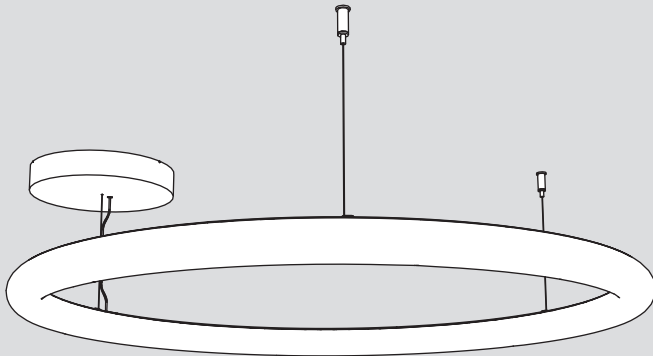
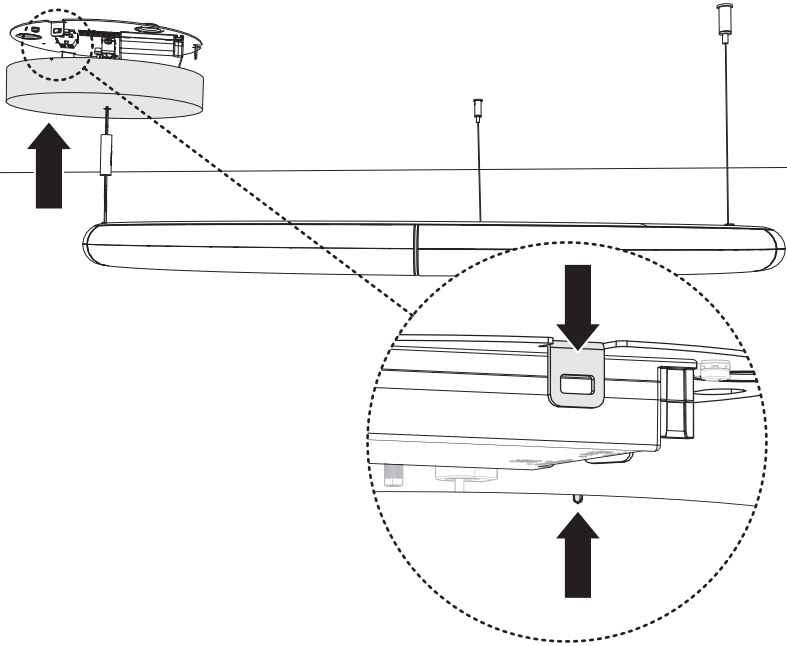


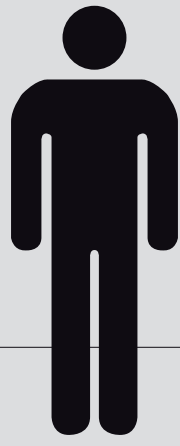
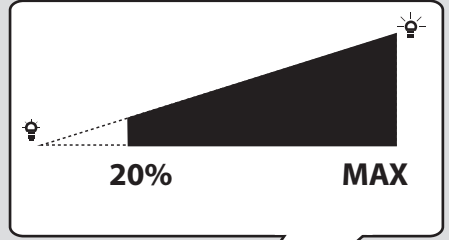
**16**

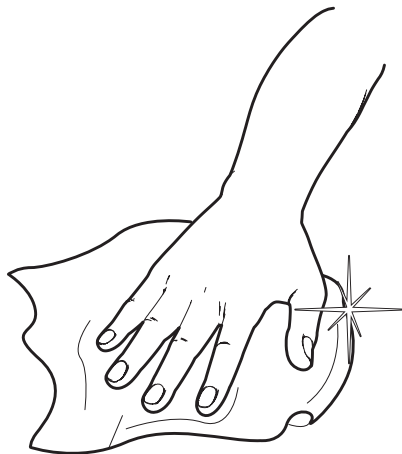




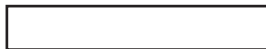
17







# Artemide®



## **Artemide**

via Bergamo, 18  
20010 Pregnana M.se (MI)  
ITALIA

tel. +39 02 935 181  
fax +39 02 935 90 254  
fax +39 02 935 90 496

[www.artemide.com](http://www.artemide.com)

VAT IT00846890150

## **Artemide Inc.**

250 Karin Lane  
Hicksville, NY 11801

Tel. 631 694 9292  
Toll Free 1-877-Art-9111  
Fax 631 694 9275

[www.artemide.net](http://www.artemide.net)

## **Artemide Ltée/Ltd.**

11105 rue Renaude Lapointe  
Montréal, Québec H1J 2T4

Tel. 514 323 6537  
Toll Free 888 777 2783  
Fax 514 323 8864

[www.artemide.net](http://www.artemide.net)

cod. Y513000875