

Arnsberg

Product Specification Sheet

Item Number:
Created:
Version - Updated:

379411805
June 21th, 2017
1.2 - 04/04/2018



Group/Lifestyle Name:

Toronto

Available Finishes

Chrome

Dimensions and Materials:

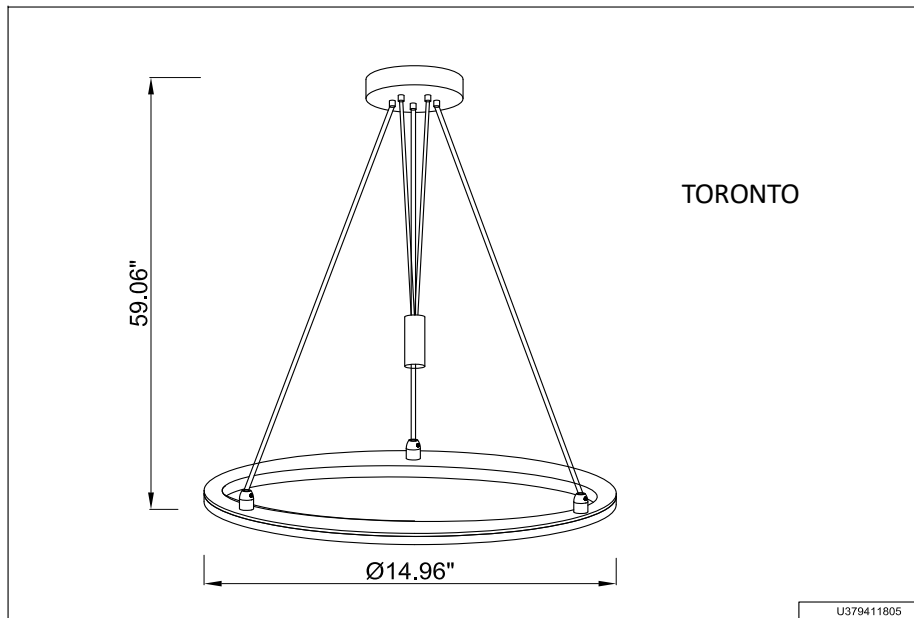
Width	15"
Length	15"
Min Height	29.52"
Max Height	51.18"
Canopy size (Rectangular)	8"Dia x 4 3/4"
Circular Aluminum Light Plate	1 3/4"W x 4"H
Special Features	Circular Acrylic Light Plate 3 Suspension cable Adjustable Height
Material	Brushed Aluminum/Acrylic
Acrylic	Frosted

Electrical Specifications:

Light Source	LED
Total Wattage	18W
Lumens	1800 Lumens
Kelvin Temperature	3000K
Dimmability	Quattro or Fully Dimmable
Driver Specification - Quattro	Output: 20-36V, 600 mA
Driver Specification - Fully Dimmable	Output: 24-36V, 600mA
Input Voltage	120V
Safety Rating (Location)	Dry
Warranty	5 Years
Certification	ETL

Shipping Information:

Weight	9.4 lbs
Carton Length	18"
Carton Width	18"
Carton Height	6"
Shipping Method	UPS
Quantity Per Carton	1



The design of the contemporary Arnsberg Toronto pendant was inspired by the standout disk-like council chamber at Toronto City Hall. Arnsberg reimagined that as a slim disk of brushed aluminum and LED lights inside an acrylic shade. This pendant is adjustable thanks to the counterweight hanging in the middle. LED color temperature is 3000K. SMD LED means superior lighting performance and efficiency. Toronto also has exclusive Quattro dimming, which means no dimmer switch is required. You can choose from four different levels of light with just the flick of a light switch. Arnsberg offers meticulous German engineering to beautify your home.