

Arnsberg

Product Specification Sheet

Item Number:**228060101**

Created:

June 21th, 2017

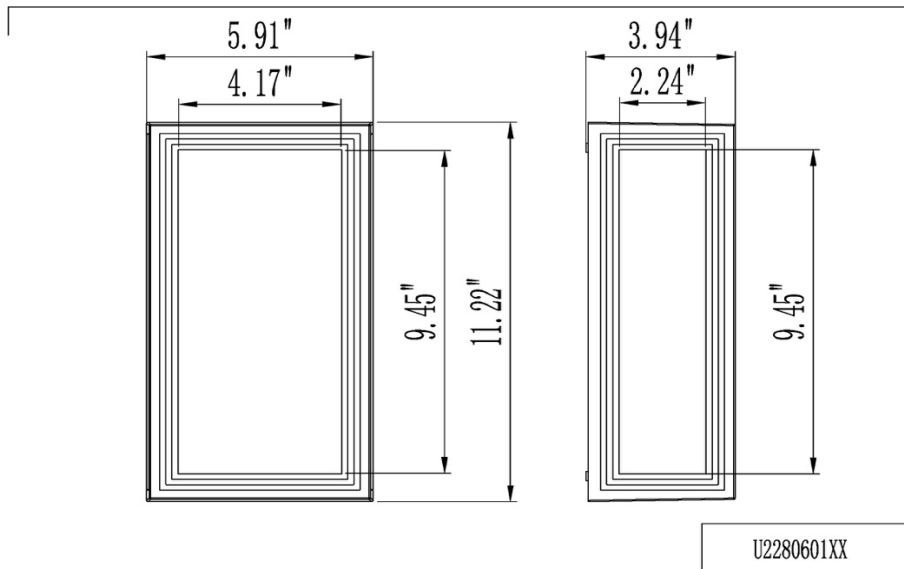
Version - Updated:

1.3 - 04/05/2018

**Group/Lifestyle Name:**

Timok

Finish
Available FinishesWhite
Bronze/Charcoal/Light Gray**Dimensions and Materials:**Width
Overall Height
Extension
Back Plate Size
Material6"
11 1/4"
4"
6"W x 11 3/4"H
Die-Cast Frame/Acrylic**Electrical Specifications:**Light Source
Dimmability
Input Voltage
Safety Rating (Location)
Warranty
CertificationE26 Socket
Dimmable
120V
Wet
5 Years
ETL**Shipping Information:**Weight
Carton Length
Carton Width
Carton Height
Shipping Method
Quantity Per Carton4.2 lbs
8"
8"
12"
UPS
1



Arnsberg Timok outdoor wall sconces offer a subtle yet stylish glow to light the way home. Beveled die-cast frames hold the acrylic shades and are available in 4 finish choices: white, bronze, charcoal black, or light gray. Arnsberg offers meticulous German engineering to beautify your home.