

Arnsberg

Product Specification Sheet

Item Number:**673710231**

Created:

Jul 6th, 2018

Version - Updated:

1.1 - 06/7/2018

**Group/Lifestyle Name**

Sedona

Finish

White

Dimensions and Materials

Width

24.02"

Length

24.02"

Height

2.36"

Large Ring Size

23.62"Dia x .79"H

Small Ring Size

15.75"Dia x .79"H

Base Size

7.09"Dia x 2.36"H

Base Plate Size

8.66"Dia

Material

Metal

Electrical Specifications

Light Source

LED

Light Source/Manufacturer

CHUNSHANG

LED Spec.

3.2V-3.4V 150mA 0.2W 3000±100K

Total Wattage

25W

Lumens

2200 Lumens

Kelvin Temperature

3000K

Dimmability

Fully Dimmable

Driver Specification - Fully Dimmable:

Hopestar

DC22.5V max. 1.8A

Input Voltage:

120V 60Hz

Safety Rating (Location)

Dry

Warranty

5 Years

Certification

ETL

Shipping Information:

Weight

8 lbs

Carton Length

28"

Carton Width

28"

Carton Height

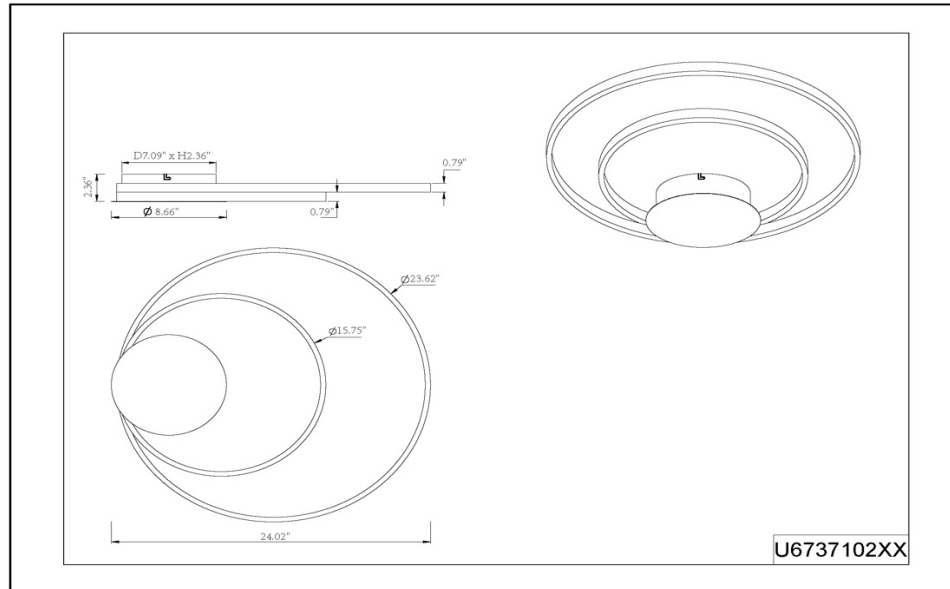
6"

Shipping Method

UPS

Quantity Per Carton

1



The Arnsberg Sedona is a contemporary Flush Mount that features two concentric rings of light for function and fashion. This White fixture emits 2200 Lumens from a 25 Watt fully dimmable LED at 3000 Kelvin. Perfect mood-setter for any room. Arnsberg offers meticulous German engineering to beautify your home.