

Arnsberg

Das Licht

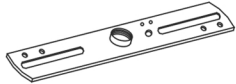
customerservice@arnsberg.com

www.arnsberg.com

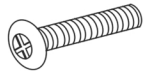
ASSEMBLY INSTRUCTIONS FOR **SEATTLE** 625211808

Parts Included

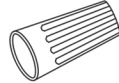
Mounting Strap



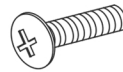
Outlet Box screw



Wire Connector



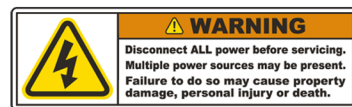
Mounting Screw



CSA / UL SAFETY REQUIREMENTS

CSA/UL requires that these IMPORTANT SAFETY INSTRUCTION be listed:

- Before starting installation of this fixture or removal of a previous fixture, disconnect the power by turning off the circuit breaker or by removing the fuse at the fuse box.

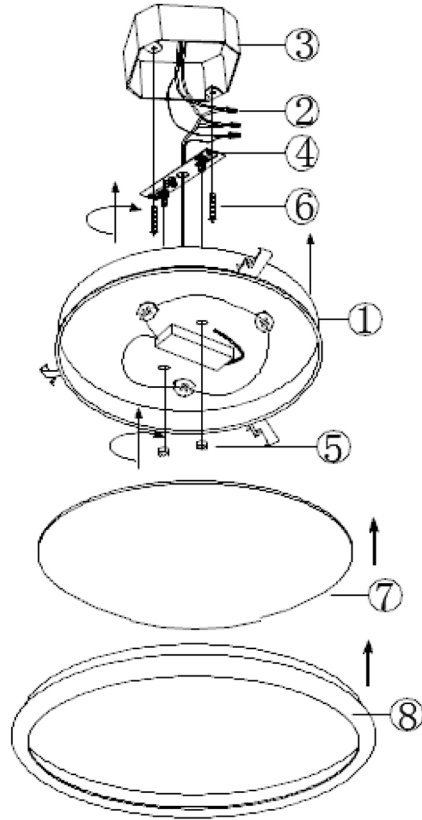


- Consult a qualified electrician if you have any electrical questions or need to replace the driver.

Care Instructions

Arnsberg suggests using only micro fiber cleaning cloth to clean this fixture. If required, a slightly damp cleaning cloth may be used to spot clean. Do not use common household cleaners on this fixture, as the final finish may be damaged as a result. Enjoy your new Arnsberg fixture.

Mounting Instructions



ASSEMBLY INSTRUCTIONS FOR **SEATTLE** 625211808

Assembly Instructions

1. Screw the outlet screw (#6) into the mounting strap (#4). Mount the mounting strap (#4) to the outlet box (#3) (Make sure the heads of the Outlet Screw(#6) are facing outside when the mounting strap (#4) is attached to the outlet box(#3))
2. Connect the ground wire from the fixture to the ground wire from the outlet box (#3). Connect the white wire from the fixture to the white wire (neutral wire) from the outlet box (#3). Connect the black wire from the fixture to the black wire (live wire) of the outlet box (#3). Cover the connections using the wire connectors (#2). Wrap the wire connectors with electrical tape for a more secure connection. Position the wires back inside the outlet box (#3). Note: If you have electrical questions, consult your local licensed electrician.
3. Place the canopy (#1) over the outlet box(#3) using the end cap(#5). Attach the face glass (#7) to the canopy(#1), and fasten the front ring(#8)
4. Installation is complete, Turn on the power at the circuit breaker of the fuse box. Turn the light switch on to activate the fixture.