

# Arnsberg

## Product Specification Sheet

---

**Item Number:**

Created:  
Version - Updated:  
Manufacturer:

**511100207**

June 21th, 2017  
1.2 - 04/04/2018

---

**Group/Lifestyle Name:**

Hotel

Finish

Satin Nickel

**Dimensions and Materials:**

Width

13"

Length

13"

Height

24.63"

Base Size

7.5"Dia x 1.38"H

Shade Size

Satin White Acrylic

Cord

9' SVT3 Clear Cord

Material

Metal/Acrylic Shade

Shade Size

13"Dia x 8"H

Special Features

Workstation Outlet/USB Port

**Electrical Specifications:**

Light Source

E26

Number of Bulbs (not included)

2

Switch

On/Off Rocker Switch on Base

Wattage

120W

Input Voltage

120V

Safety Rating (Location)

Dry Location

Warranty

5 Years

Certification

ETL

**Shipping Information:**

Weight

5.6 lbs

Carton Length

26"

Carton Width

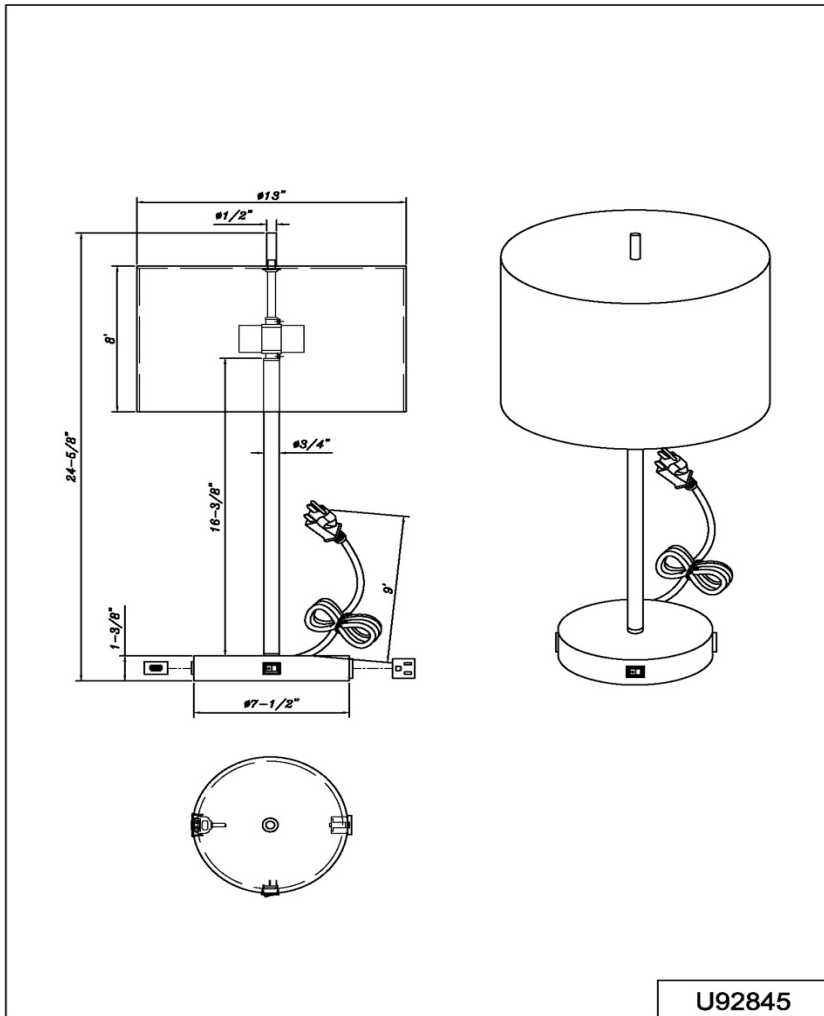
26"

Carton Height

8"

Shipping Method

UPS



The Hotel Table Lamp by Arnsberg casts a luminous glow into your home's surrounding space and enhances the beauty of any interior décor scheme. A strong metal base and stand ensure stability, while a satin nickel finish offers a glistening sheen to complement the upscale aesthetic. Behind the acrylic drum shade, a relaxing illumination is produced, making this lamp ideal for setting a relaxing mood before bedtime.