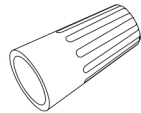


Parts Included:

Mounting Bracket



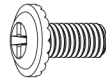
Wire Connector



Mounting Screw



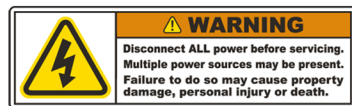
Outlet Box screw



CSA / UL Safety Requirements

CSA/UL requires that these IMPORTANT SAFETY INSTRUCTION be listed:

- Before starting installation of this fixture or removal of a previous fixture, disconnect the power by turning off the circuit breaker or by removing the fuse at the fuse box.

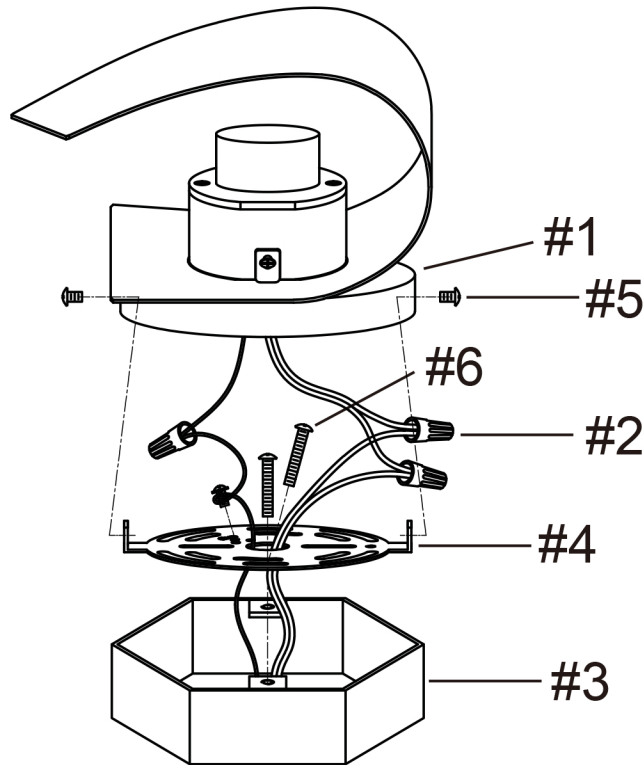


- Consult a qualified electrician if you have any electrical questions or need to replace the driver.

Care Instructions

Arnsberg suggests using only a micro fiber cleaning cloth to clean this fixture. If required, a slightly damp cleaning cloth may be used to spot clean. Do not use common household cleaners on this fixture, as the final finish may be damaged as a result. Enjoy your new Arnsberg fixture.

Mounting Instructions



Assembly Instructions

1. Mount the mounting bracket (#4) to the outlet box (#3) using the outlet box screw (#5)
2. Connect the ground wire from the fixture to the ground wire from the outlet box (#3). Connect the white wire from the fixture to the white wire (neutral wire) from the outlet box (#3). Connect the black wire from the fixture to the black wire (live wire) of the outlet box (#3). Cover the connections using the wire connectors (#2). Wrap the wire connectors with electrical tape for a more secure connection. Position the wires back inside the outlet box (#3). Note: If you have electrical questions, consult your local licensed electrician.
3. Place the canopy (#1) over the outlet box (#3), put the mounting screw (#6) through the holes, and tighten the mounting screw (#6) to secure the canopy (#1)
4. Installation is complete, Turn on the power at the circuit breaker of the fuse box. Turn the light switch on to activate the fixture.