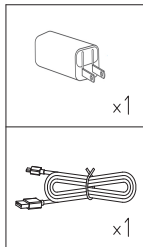


Technical Data

- Power: 2.2 W
- Operating Voltage: DC 3.7 V
- Luminous flux 146LM
- LED PHILIP 3014 / 25 PCS
- Lithium Battery: 18650/2200 MAH*2
- Charge: 6 hrs
- Work time: 9 hrs
- Class: II
- Safety type: IP54

Parts Included



CSA / UL Safety Requirements

CSA/UL requires that these IMPORTANT SAFETY INSTRUCTION be listed:



⚠ WARNING
Disconnect ALL power before servicing.
Multiple power sources may be present.
Failure to do so may cause property
damage, personal injury or death.

Care Instructions

Arnsberg suggests using only a micro fiber cleaning cloth to clean this fixture. If required, a slightly damp cleaning cloth may be used to spot clean. Do not use common household cleaners on this fixture, as the final finish may be damaged as a result. Enjoy your new Arnsberg fixture.

Arnsberg

customerservice@arnsberg.com

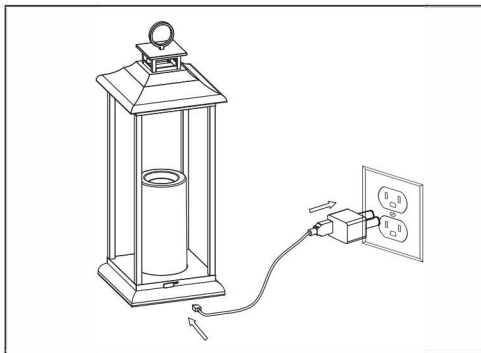
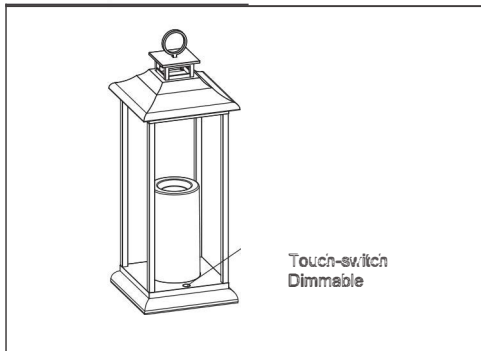
www.arnsberg.com

ASSEMBLY INSTRUCTIONS

Epoque

527680242

Assembly:



This lamp is equipped with safety overcharge protection.

Operating

1. Before the first use, please remove the silicone protective cover.
2. Insert the charging port to the lamp, and charge for 6 hours until the indicator light is green.
3. Tap button to toggle on/off
4. Press and hold button to dim light gradually.
5. When the lamp's battery is low, the indicator light will turn red. Reconnect to power to charge.