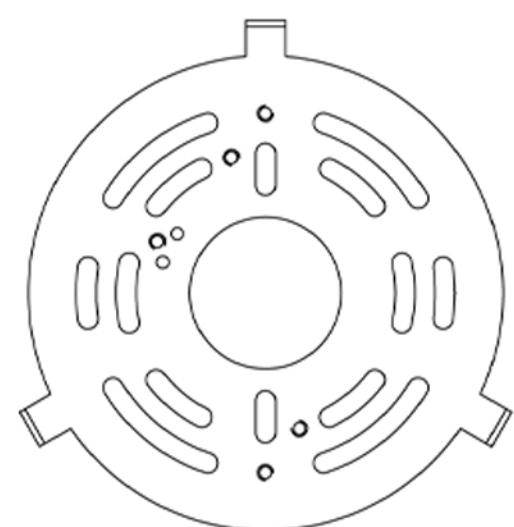
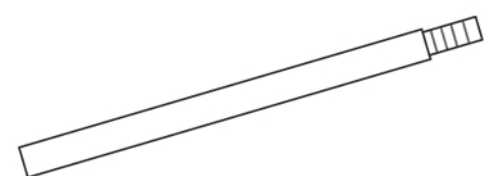


PARTS INCLUDED

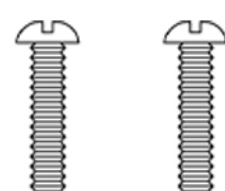
Please begin installation by accounting for and familiarizing yourself with all included parts.



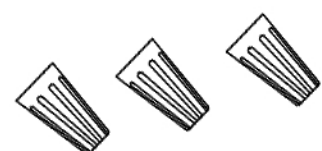
Mounting plate



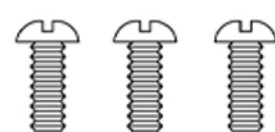
Handle



Sconce mounting screw



Wire connector



Mounting plate screws

DESSAU/WALL SCONCE

225870107/225870108



CARE INSTRUCTIONS

Arnsberg suggests using only micro fiber cleaning cloth to clean this fixture. If required, a slightly damp cleaning cloth may be used to spot clean. Do not use common household cleaners on this fixture, as the final finish may be damaged as a result. Enjoy your new Arnsberg fixture.

Arnsberg
Das Licht

customerservice@arnsberg.com
www.arnsberg.com

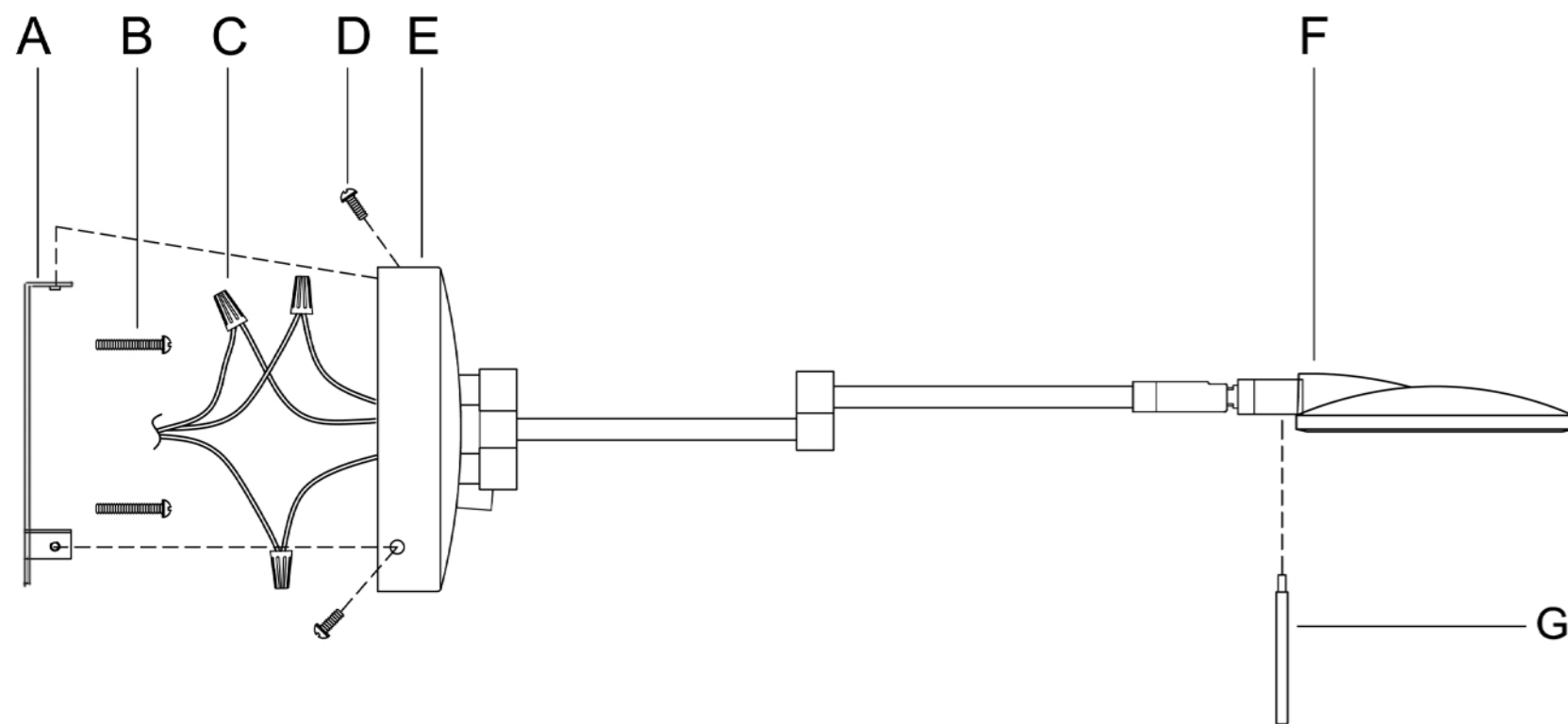
Arnsberg

Das Licht

customerservice@arnsberg.com

www.arnsberg.com

MOUNTING INSTRUCTIONS



ASSEMBLY INSTRUCTIONS FOR

DESSAU/WALL SCONCE

225810107/225810108

ASSEMBLY INSTRUCTIONS

- 1 Gently pull the wiring out of the wall outlet box and allow the wires to hang. Pull the wires through the center hole in the mounting plate (A).
- 2 Attach the mounting plate to the outlet box using the sconce mounting screws (B).
- 3 Connect the neutral (white) fixture wire to the neutral (white) outlet wire. Fasten together with a wire connector (C). Repeat this procedure with the hot (black) wire. Always make sure that no wire strands are left outside of connectors. Then twist the fixture's ground wire and the outlet box's ground wire together by the wire connector.
- 4 Line up the pre-drilled holes of the black plate (D) & mounting plate holes (A) and secure to the mounting plate with mounting plate screws (E).
- 5 Screw the handle (G) on the lamp body (F).