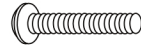


### Parts Included

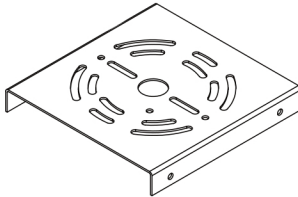
Mounting Screw



Outlet Box Screw



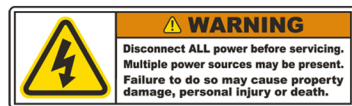
Mounting Bracket



### CSA / UL SAFETY REQUIREMENTS

CSA/UL requires that these IMPORTANT SAFETY INSTRUCTION be listed:

- Before starting installation of this fixture or removal of a previous fixture, disconnect the power by turning off the circuit breaker or by removing the fuse at the fuse box.



- Consult a qualified electrician if you have any electrical questions or need to replace the driver.

### Care Instructions

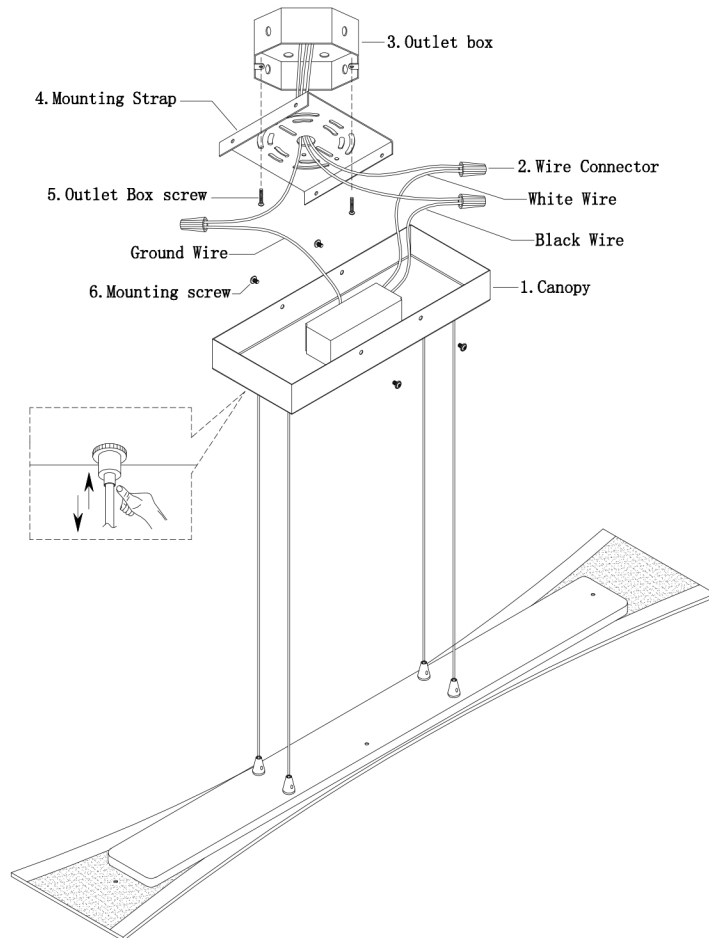
Arnsberg suggest using only micro fiber cleaning cloth to clean this fixture. If required, a slightly damp cleaning cloth may be used to spot clean. Do not use common household cleaners on this fixture, as the final finish may be damaged as a result. Enjoy your new Arnsberg fixture.

# Arnsberg

customerservice@arnsberg.com

www.arnsberg.com

## Mounting Instructions



## ASSEMBLY INSTRUCTIONS FOR **CARTANI** 322510406

## Assembly Instructions

1. Turn off the electrical power to the outlet at the circuit breaker in the electrical panel.
2. Screw the Mounting Screw (#6) into the Mounting Strap (#4). Mount the Mounting Strap (#4) to the Outlet Box (#3). Make sure the heads of the Mounting Screws (#6) are facing outside when the Mounting Strap (#4) is attached to the Outlet Box (#3).
3. Connect the ground wire from the fixture to the ground wire from the Outlet Box (#3). Connect the white wire from the fixture to the white wire (neutral wire) from the Outlet Box (#3). Connect the black wire from the fixture to the black wire (live wire) of the Outlet Box (#3). Cover the connections using the Wire Connectors (#2). Wrap the wire connectors with electrical tape for a more secure connection. Position the wires back inside the Outlet Box (#3). Note: If you have electrical questions, consult your local licensed electrician.
4. Place the Canopy (#1) over the Outlet Box (#3). Allow the Heads of the Outlet Box Screws (#5) to come out through the large end of the keyholes of the Canopy (#1). Twist the Canopy (#1) until the heads of the Outlet Box Screws (#5) slide into the narrow ends of the keyholes. Screw the Outlet Box Screws (#5) to secure the Canopy (#1).
5. Installation is complete. Turn on the power at the circuit breaker in the fuse box. Turn the light switch on to activate the fixture.