

### Parts Included:

Mounting Bracket



Wire Connector



Outlet Box screw



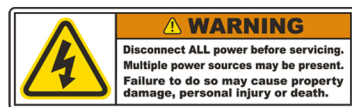
Mounting Screw



### CSA / UL Safety Requirements

CSA/UL requires that these IMPORTANT SAFETY INSTRUCTION be listed:

- Before starting installation of this fixture or removal of a previous fixture, disconnect the power by turning off the circuit breaker or by removing the fuse at the fuse box.



- Consult a qualified electrician if you have any electrical questions or need to replace the driver.

### Care Instructions

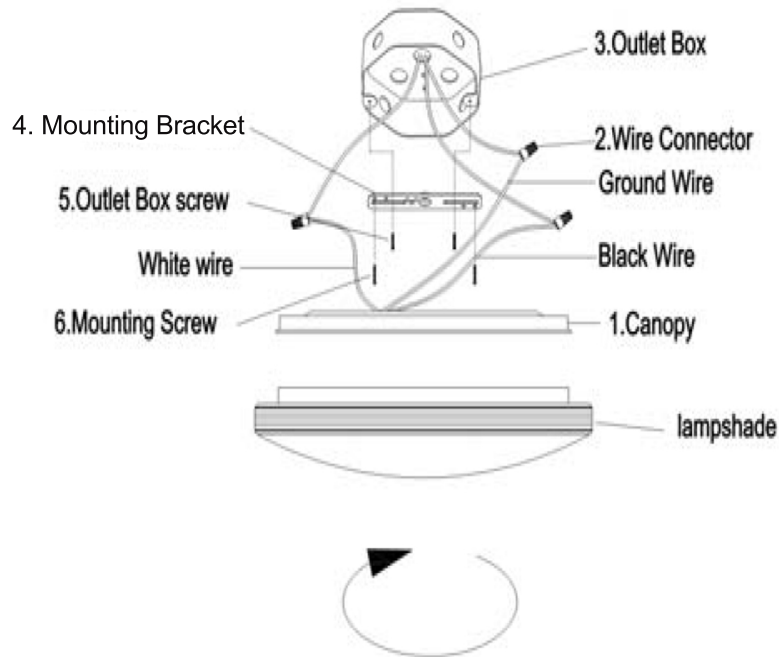
Arnsberg suggests using only a micro fiber cleaning cloth to clean this fixture. If required, a slightly damp cleaning cloth may be used to spot clean. Do not use common household cleaners on this fixture, as the final finish may be damaged as a result. Enjoy your new Arnsberg fixture.

# Arnsberg

customerservice@arnsberg.com

www.arnsberg.com

## Mounting Instructions



## ASSEMBLY INSTRUCTIONS APART 659412406

## Assembly Instructions

1. Screw the two mounting screws (#6) into the mounting bracket (#4). Mount the mounting strap (#4) to the outlet box (#3) using the two outlet box screws (#5). Make sure the heads of the mounting screws (#6) are facing outside when the mounting bracket (#4) is attached to the outlet box (#3).
2. Connect the ground wire from the fixture to the ground wire from the outlet box (#3). Connect the white wire from the fixture to the white wire (neutral wire) from the outlet box (#3). Connect the black wire from the fixture to the black wire (live wire) from the outlet box (#3). Cover the connections using the wire connectors (#2). Wrap the wire connections with electrical tape for a more secure connection. Position all the wires back inside the outlet box (#3). Note: if you have electrical questions, consult your local licensed electrician.
3. Place the canopy (#1) over the outlet box (#3). Allow the heads of the mounting screws (#6) to come out through the large ends of the keyholes of the canopy (#1). Twist the canopy (#1) until the heads of the mounting screws (#6) slide into the narrow ends of the keyholes. Screw the mounting screws (#6) to secure the canopy (#1).
4. Before completing installation, please cover the lampshade on the corresponding rotary buttons position of the chassis. Lock the lampshade according to the arrow direction.
5. Installation is complete. Turn on the power at the circuit breaker or fuse box. Turn the light switch on to activate the fixture.