

FLOS

|| FU030000 Steel

Arco

Designed by Achille and Pier Giacomo Castiglioni, 1962

Incandescent - 100W



Are you a professional and your project needs consulting and support?

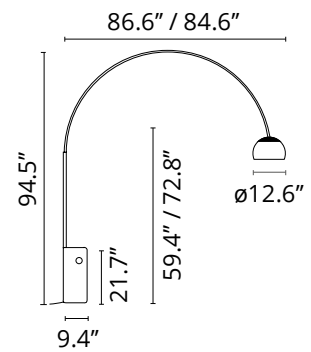
[BOOK AN APPOINTMENT](#)

Main specifications

EAN	8059607010501
Mounting	Floor
Environments	Indoor dry location
Light Source Type	Bulb
Lamp category	Incandescent
Lamp type	A
Lamp holders	E26
Number of heads	1
Power (W)	100

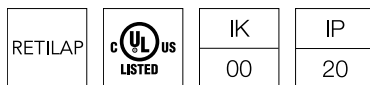
Physical

Color	Steel
Cord length (in)	106
Net weight (lb)	141.36
Package volume (in)	8106.57
IP internal	20



Download

- [Mounting instructions](#)  PDF
- [Mounting instructions](#)  PDF



Photometric

Lighting type	Direct
Light distribution	Asymmetric

Electrical

Insulation class	II
Frequency (Hz)	60
Main voltage (Vac)	120
LED voltage Vf (Vdc)	null
Dimmable	Yes
Dimming interface	Switch Integrated (Remote Dimmable)
Plug type	Type A
Batteries inside	No

Bulbs



NOT INCLUDED

RF85284

100W E26 Silver -Clear Halogen
Lamp

Spare Parts



01.	Pins and screw set	RF0300200
02.	Arco Arm Assembly Spare Parts #37 & #15	FU330000
03.	Long inox channel	RF02970
04.	Medium inox channel	RF02971
05.	Arco Small Arm Assembly	RFU030310
06.	E26 Lampholder With Joint And Fixing Screw	RFU030030
07.	Anodized sleeve	RF02593
08.	Arco Shade and Grid	FU320000
09.	Polished reflector	RF00797
10.	Polished grid	RF01411
11.	Fixing screw with joint	RF0300100
12.	Marble base	F0310000
13.	Arco Footswitch And Cord	RF17423
14.	AIM Pedal On/Off Switch In Bronze	RF15858
15.	Inox stem	RF21041



RF0300200

Pins and screw set



FU330000

Arco Arm Assembly Spare Parts
#37 & #15



RF02970

Long inox channel



RF02971

Medium inox channel



RFU030310

Arco Small Arm Assembly



RFU030030

E26 Lampholder With Joint And
Fixing Screw



RF02593

Anodized sleeve



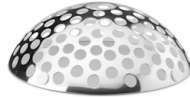
FU320000

Arco Shade and Grid



RF00797

Polished reflector



RF01411

Polished grid



RF0300100

Fixing screw with joint



F0310000

Marble base



RF17423

Arco Footswitch And Cord



RF15858

AIM Pedal On/Off Switch In Bronze



RF21041

Inox stem