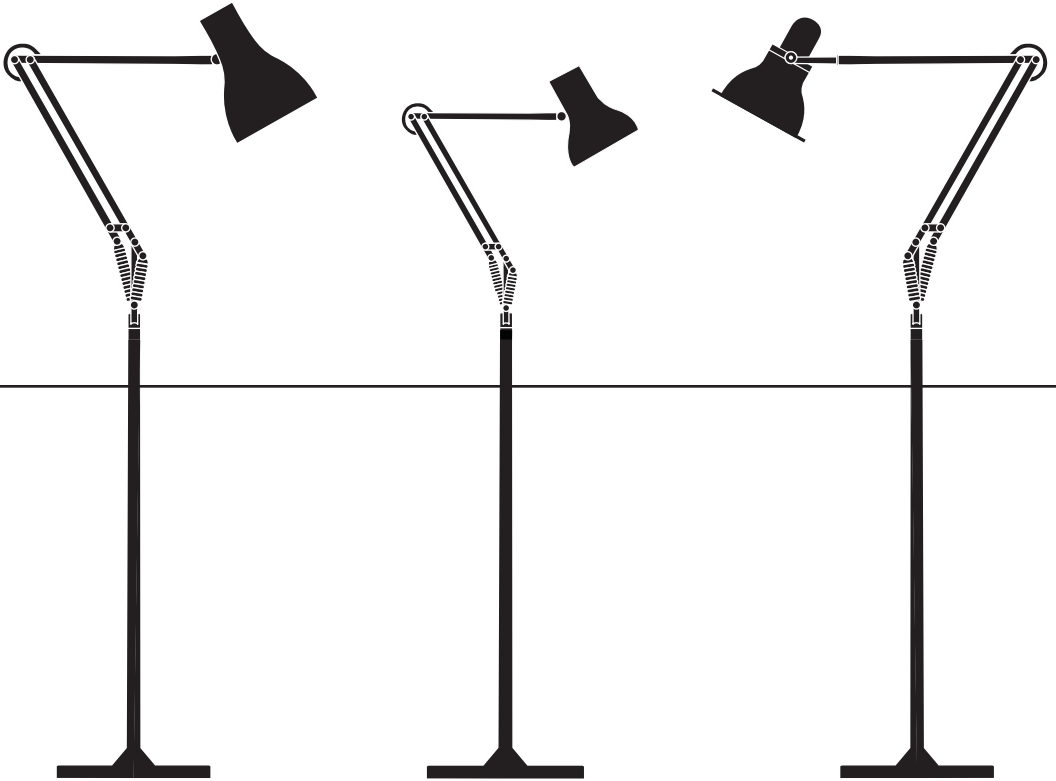


ANGLEPOISE®

Type Range | Designed by Sir Kenneth Grange



Type Range
Floor Pole

Type Range - Floor Pole

Please read these instructions in conjunction with those included with the desk lamp. They will cover additional product details, electrical and safety information relating specifically to the lamp.

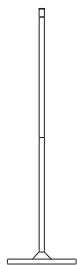
Veillez lire ces instructions conjointement avec celles fournies avec la lampe de bureau. Elles aborderont des détails complémentaires sur les produits, ainsi que des informations électriques et de sécurité spécifiquement liées à la lampe.

Bitte lesen Sie sich diese Anleitung zusammen mit der dem Lieferumfang der Schreibtischlampe beigelegten Anleitung durch. Sie behandeln zusätzliche Produktdetails, elektrische Daten und Sicherheitshinweise, die sich speziell auf die Lampe beziehen.

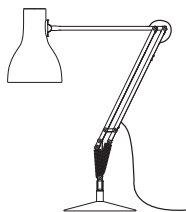
Si prega di leggere queste istruzioni assieme a quelle incluse nella lampada da scrivania. Tali istruzioni forniscono informazioni aggiuntive sul prodotto, informazioni sui rischi elettrici e sulla sicurezza che riguardano specificatamente la lampada.

Por favor, lea estas instrucciones en relación con las incluidas con la lámpara de escritorio. Cubrirán detalles adicionales del producto e información eléctrica y de seguridad relativa específicamente a la lámpara.

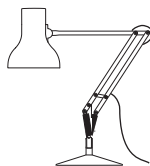
The Type Range Floor Pole is only compatible with:
Type 75™ Desk Lamp, Type 75™ Mini Desk Lamp and Type 1228™ Desk Lamp.



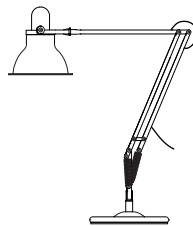
Floor Pole



Type 75™ Desk Lamp



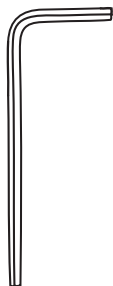
Type 75™ Mini Desk Lamp



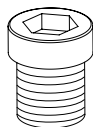
Type 1228™ Desk Lamp

ASSEMBLY PARTS & TOOLS:

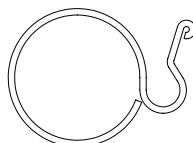
Your Anglepoise® comes supplied with everything you need to assemble and install your product. The assembly parts and tools you'll find in the box are:



1 x 100117
Allen Key



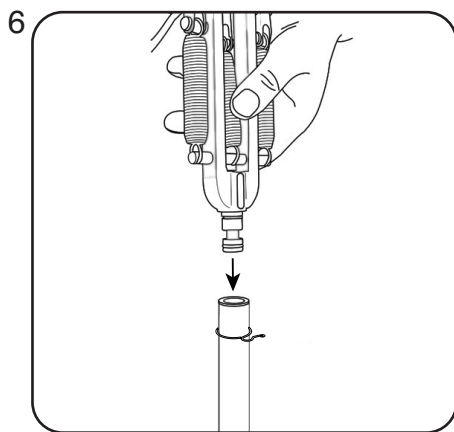
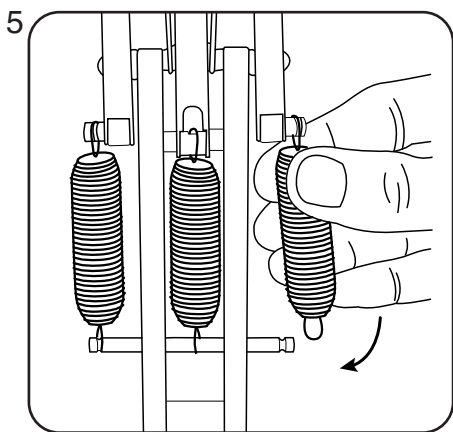
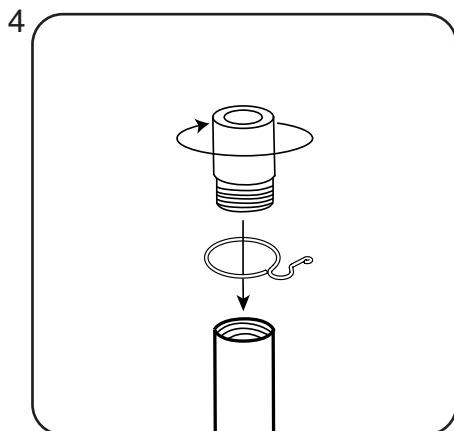
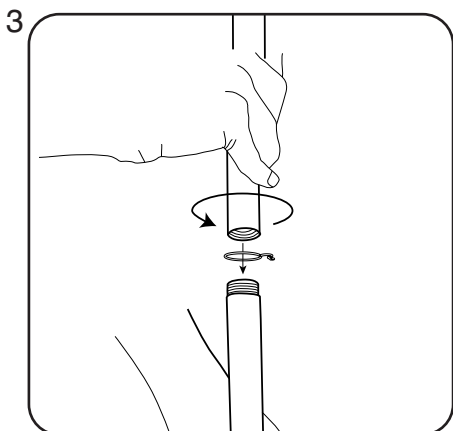
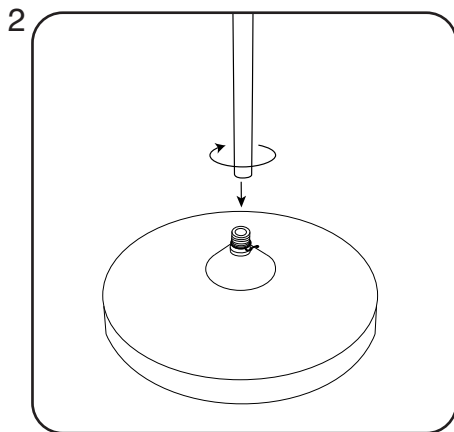
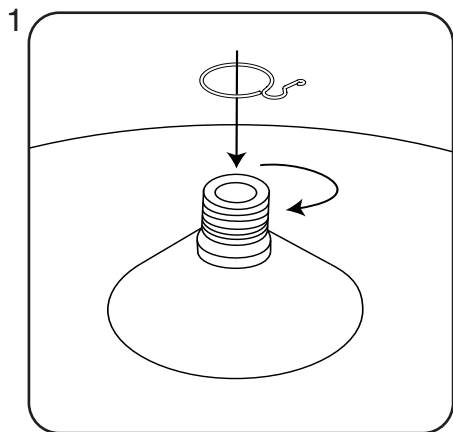
1 x 100033
Grub Screw



6 x 104404
Pole Clip
(Three Spare)

PARTS NOT TO SCALE

INSTALLATION:



GUARANTEED FOR LIFE - WARRANTY REGISTRATION

Anglepoise are pleased to offer a **Lifetime Warranty** on all products used domestically upon **registration**.

Products can be registered at:

www.anglepoise.com/manifesto/lifetime-guarantee/warranty-registration

For full details then please see:

<https://www.anglepoise.com/legal/guaranteed-for-life>



We offer a **2 Year Warranty** for all Commercial Applications.

CONTACT

UK & International Enquiries

Anglepoise®

+44 (0) 1227 538 038
hello@anglepoise.com
www.anglepoise.com

A10 Railway Triangle
Walton Road
Farlington
Hampshire, PO6 1TN
United Kingdom

SOCIAL MEDIA & NEWSLETTER

Sign up to the Anglepoise® newsletter for the latest news and updates at www.anglepoise.com/newsletter

We can also be found on most social media channels - just search using **@anglepoise**



ANGLEPOISE®