

# Type 80™ W1

Type 80™ Collection | Technical Sheet

**ANGLEPOISE®**  
Abandon Darkness.

Launched In 2019 | Designed by Sir Kenneth Grange



## Product

W1 Wall Light - Grey Mist  
W1 Wall Light - Matte Black  
W1 Wall Light - Pistachio Green  
W1 Wall Light - Rose Pink

## Description

Distinguished by a striking, graphic profile, Type 80's design is further enhanced by an attractive 'halo' light-escape feature in the shade. Every detail has been carefully considered and precision engineered to deliver streamlined style, ease of use and consistency across the collection. The lamp features sprung joint mechanisms with an accessible on-shade on/off switch. The wall sconce is visually aligned and easy to install.

## Materials

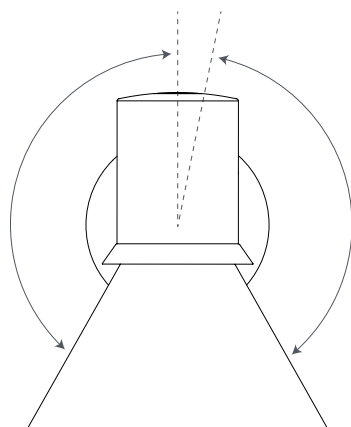
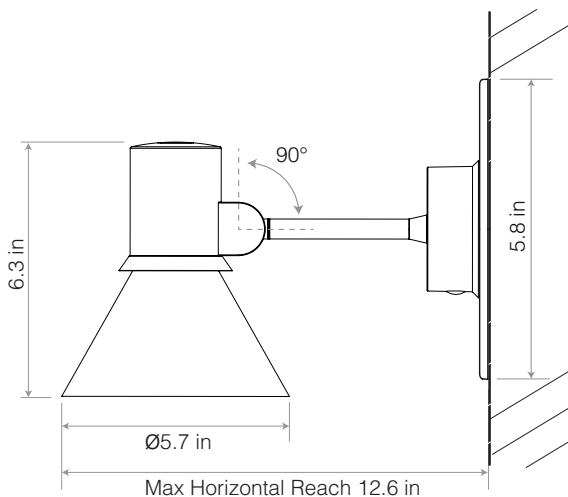
- Matt paint and Anodised Aluminum finish
- Aluminum shade
- Steel Stem
- Anodised machined joint
- Aluminum and Steel wall plate
- Color-matched Junction Box Mounting Kit
- IP20 rating

## Dimensions

- Shade diameter: 5.7in
- Shade height: 6.3in
- Max Reach: 12.6in (from wall to shade)
- Product Dimensions: 10.4in x 5.8in x 6.3in (L x W x H)
- Junction box mounting kit: depth 0.3in, diameter 5.8in
- Lamp Packaging: 7.7in x 7.1in x 12.8in (L x W x H)
- Lamp Packaged Weight: 3.4 lbs

## Electrical

- cUL Certified
- Voltage: 110/120V, 50/60Hz
- Integrated shade switch
- E26 Lamp holder
- Maximum permitted bulb: 10W LED
- Supplied with a compatible LED bulb:
  - 4W LED Bulb
  - Luminous Intensity: 380lm
  - Life: 15,000 Hours
  - Non-dimmable
  - Color Temperature: 2700K
  - CRI (Ra) :  $\geq 80$



Shade Rotational Movement

