

Ceiling Canopy

CKCD | 1.4



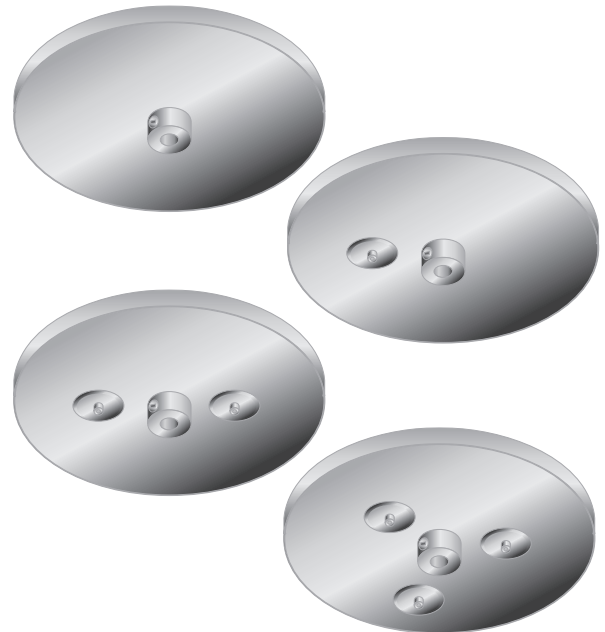
GENERAL PRODUCT INFORMATION:

These fixtures are intended to be installed utilizing NEC compliant junction boxes.

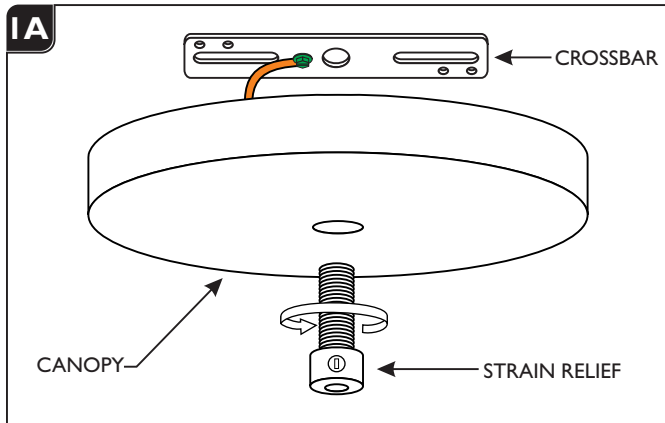


This product is suitable for damp locations.

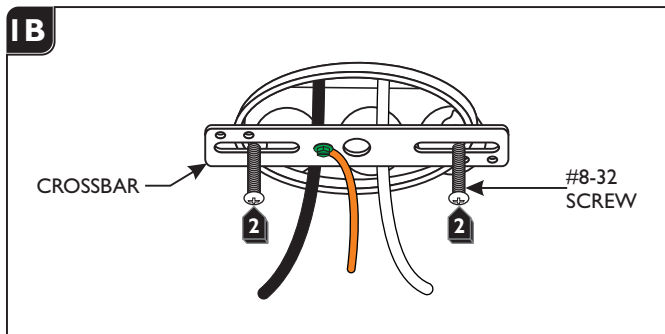
CAUTION - RISK OF FIRE
 This product must be installed in accordance with the applicable installation code by a person familiar with the construction and operation of the product and the hazards involved.
 Use minimum 90°C supply conductors.



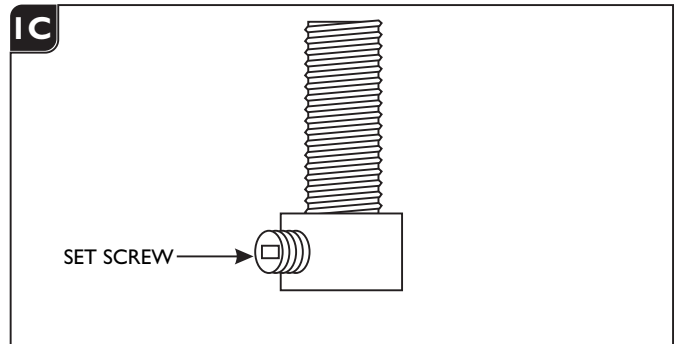
Preparing the Canopy



1 Remove the crossbar from the canopy by completely unscrewing the strain relief.



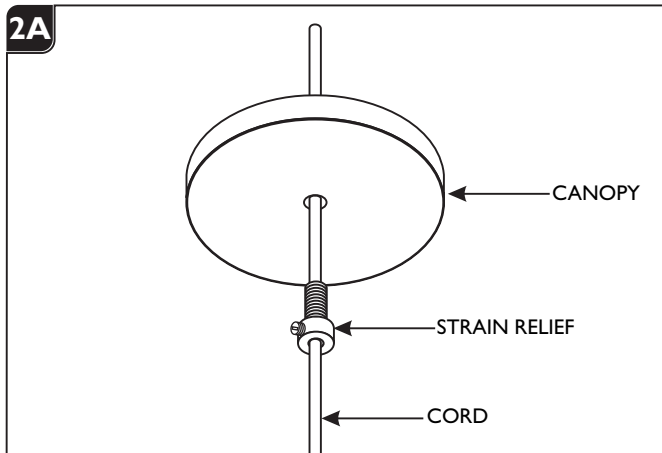
2 Mount the crossbar assembly to the electrical box with the two provided #8-32 screws.



3 Loosen (**Do Not Remove**) the set screw on the strain relief.

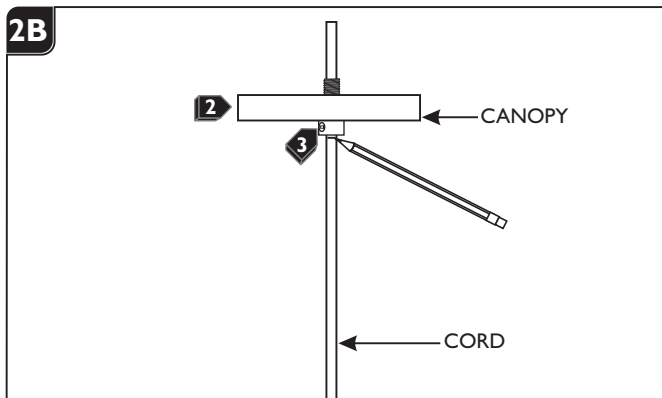
Install the Fixture (No Suspension Cables)

Note: For canopies with suspension cables, skip section 2 and continue on section 3.



- 1 Feed the cord through the primary strain relief and the canopy.

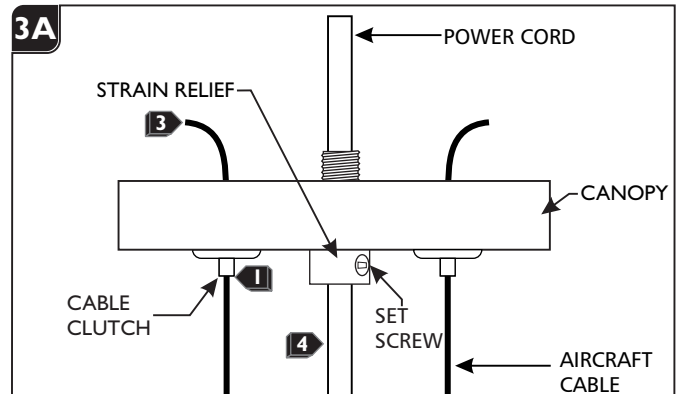
Note: If the fixture has a cord with a cloth cover, taping down the frayed end of the cloth may assist in feeding it through the strain relief.



- 2 Adjust the fixture height (from bottom of the fixture shade to top of the canopy) by moving the canopy and strain relief up or down.
- 3 When the desired height is achieved, tighten the set screw on the strain relief.
- 4 Mark the cord underneath the strain relief.
- 5 Move on to section 4.

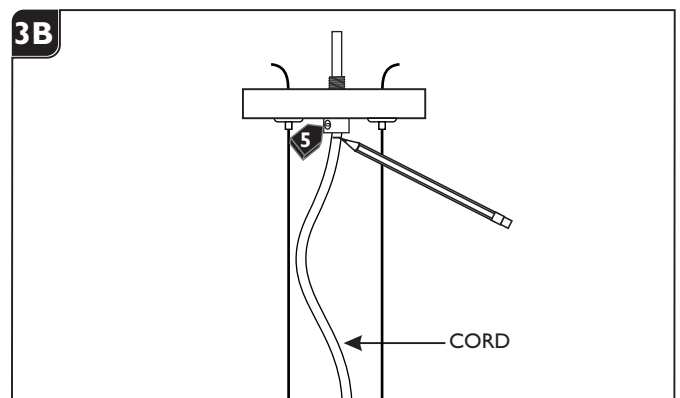
Install the fixture (With Suspension Cables)

NOTE: Make sure to support the fixture while adjusting the aircraft cables. An assistant is recommended to complete the remaining steps.



- 1 Feed the aircraft cable(s) through the cable clutch in the canopy.
- 2 Evenly pull the aircraft cable up through the canopy to raise the fixture to the desired length.
- 3 Cut off the excess aircraft cable leaving enough for fine leveling later.
- 4 If necessary loosen the set screw in the strain relief and feed the power cord from the fixture into the canopy port.

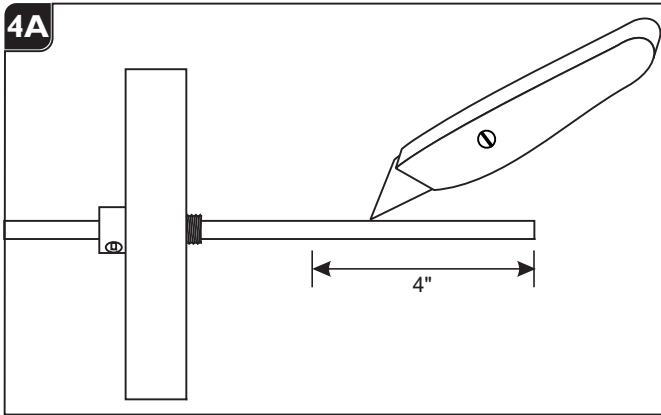
Note: If the fixture has a cord with a cloth cover, taping down the frayed end of the cloth may assist in feeding it through the strain relief.



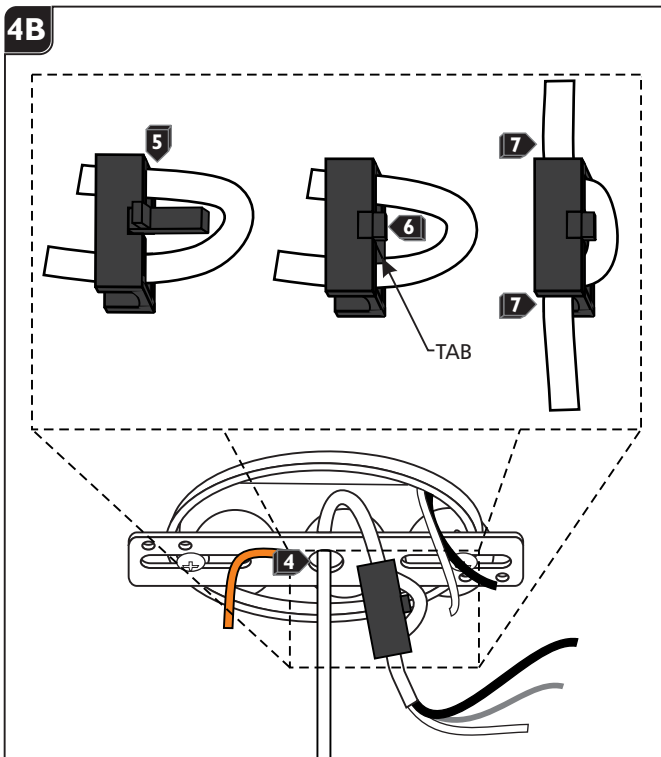
NOTE: The power cord does not support the fixture. For a casual "lazy cord" look, cut the power cord several inches longer than the drop height of the fixture.

- 5 Once the desired look is determined, tighten the set screw on the strain relief.
- 6 Mark the cord underneath the strain relief.

Install the Canopy

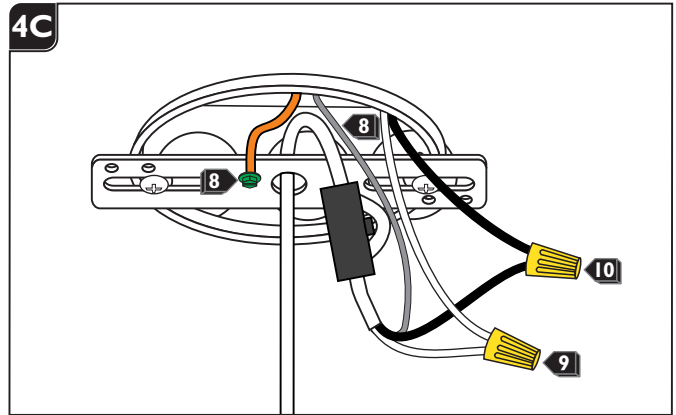


- 1 Leave 6" of the cord behind the canopy for power connections. Cut the excess cord.
- 2 From the end of the cord, strip the insulation 4" using a sharp knife. **Make sure not to nick the inner wires.**
- 3 Strip the end of the wires.

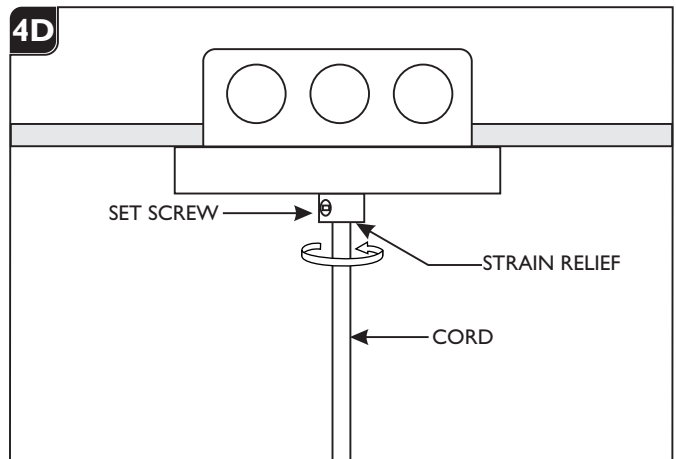


NOTE: Secondary strain relief installation only applies to fixtures that are supplied with it.

- 4 Feed the fixture wires through the crossbar center hole and then pull them out of the electrical box. **Note:** If the cord has a cloth cover, peel back or remove the cloth where the secondary strain relief is installed.
- 5 Install the secondary strain relief by first feeding the power cord through it.
- 6 Snap the strain relief tab into place.
- 7 Pull the cord to take up the slack and fit the rest of the cord in the strain relief's openings.



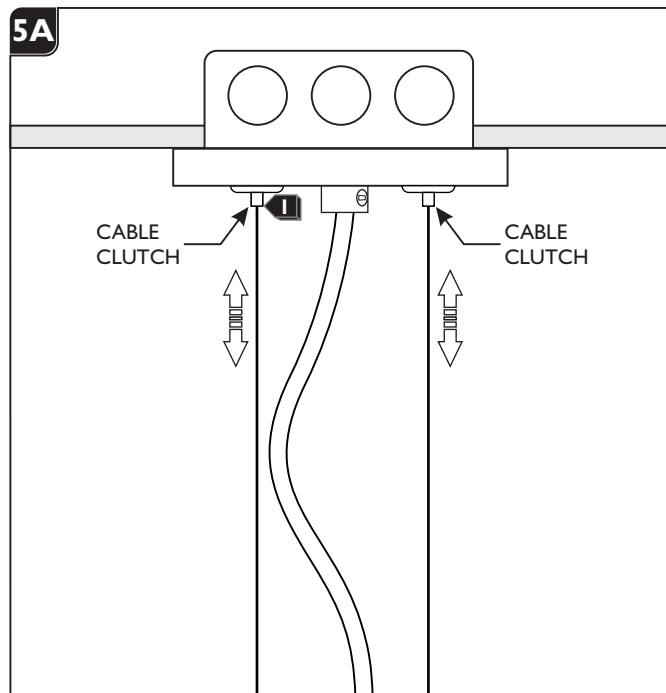
- 8 Connect the crossbar and the fixture ground wire to a suitable ground in accordance with local electrical codes.
- 9 Connect the fixture wire: white wire, white tracer, or labeled neutral to the neutral power line wire with a wire nut.
- 10 Connect the last fixture wire: black wire or labeled positive to the hot power line wire with a wire nut.



NOTE: It is recommended that one person hold the fixture while the electrician finishes the installation.

- 11 Place all wires, wire nut connections, and the secondary strain relief properly inside the canopy.
- 12 Loosen the set screw on the primary strain relief.
- 13 Align the canopy center hole with the crossbar center hole.
- 14 Slide the canopy up against the ceiling and secure it in place by tightening the primary strain relief into the crossbar. Do not turn the cord.
- 15 Push the cord into the canopy and line up the marked point on the cord with bottom of the primary strain relief.
- 16 Tighten the plastic set screw to secure the cord.

Adjust the Suspension Cables (Optional for Multiple Suspension Cable Canopies)



- ▶ Adjust the aircraft cables until the fixture is level; feed the cable into the cable clutch to raise the fixture and push in on the cable clutch nipple to release the cable and lower the fixture.

SAVE THESE INSTRUCTIONS!



TECH LIGHTING®

7400 Linder Ave, Skokie, IL 60077
847.410.4400

www.techlighting.com

© 2019 Tech Lighting, L.L.C. All rights reserved. The "Tech Lighting" graphic is a registered trademark of Tech Lighting, L.L.C. Tech Lighting reserves the right to change specifications for product improvements without notification.

A Generation Brands Company