

DOUGLAS FM351004

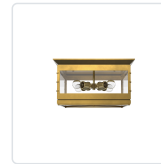
| | |
|--------------------|------------------------|
| FIXTURE DIMENSIONS | L18" x W18" x H10-1/8" |
| LAMP TYPE | E26 |
| MAX WATTAGE | 60W |
| BULB QTY | 4 |
| BULBS INCLUDED | No |
| VOLTAGE | 120V |
| GLASS DETAILS | Clear Glass |
| MATERIAL | Steel |
| LOCATION | Dry |
| PAINT FINISH | UB01; VB01; |

[D - Diameter, L - Length, W - Width, H - Height, E - Extension]

AVAILABLE FINISHES:

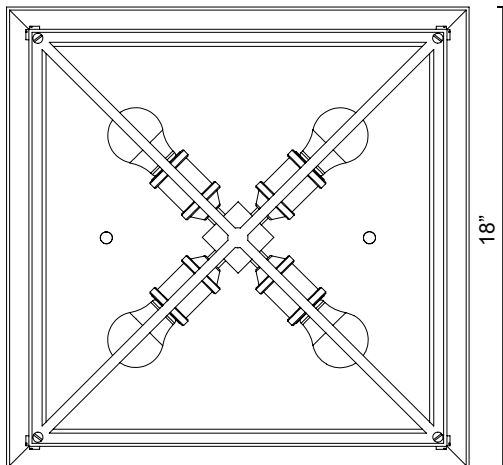
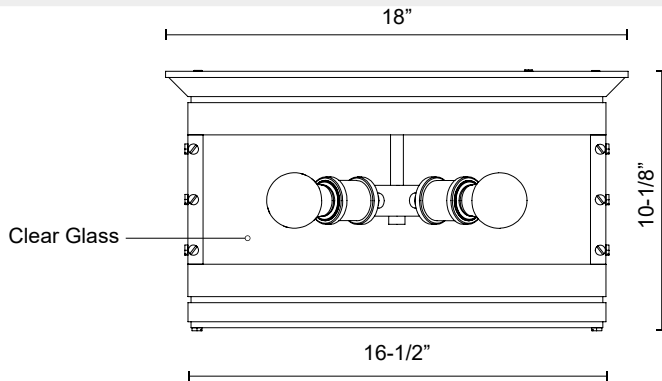


FM351004UB
Urban Bronze



FM351004VB
Vintage Brass

*For complete warranty terms, please visit: www.aloralighting.com/warranty



WWW.ALORALIGHTING.COM

© 2021 KUZCO LIGHTING. ALL RIGHTS RESERVED.

