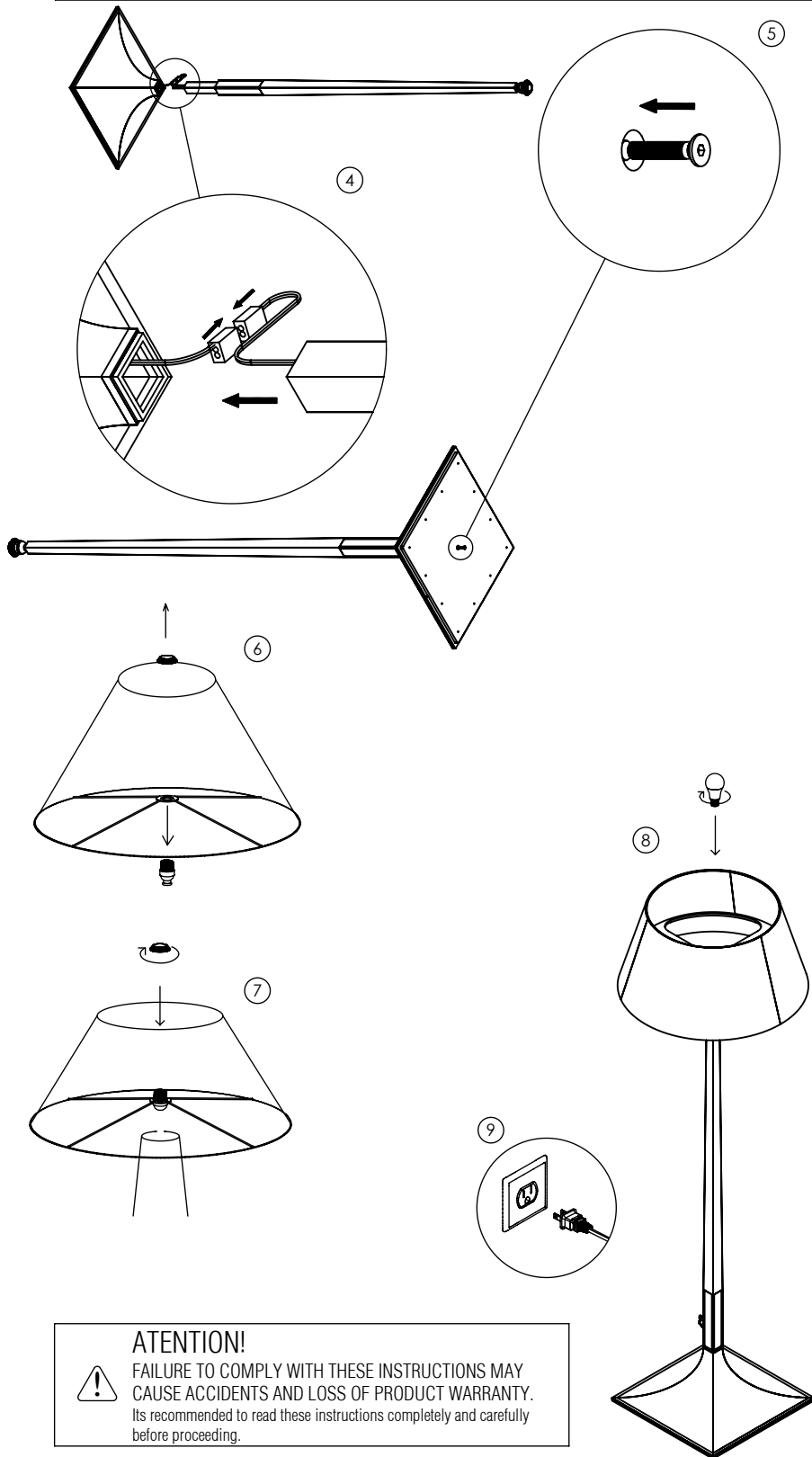


WARNING!



Be sure electrical power is OFF before and during installation or maintenance. The luminaire must be installed by a qualified electrician, in accordance with all applicable local codes.

Ensure that the rated luminaire voltage requirements are compatible with the available mains supply in which it will be installed. All LEDs are included in your lamp. Never touch the LED surface with your bare hands as this may reduce the life of your LED. Do not alter, relocate or remove any electrical component.



Line: Nostalgia
Family: Floor Lamp
Description: Accord Nostalgia Floor Lamp 3044

Material: Natural Wood Veneer MDF
Weight:

ASSEMBLING THE FIXTURE

- ① Read carefully all the Assembly Instructions below, before starting the installation process.
- ② Notice that the fixture is disassembled in three separate parts which are wrapped with the protecting package, consisting of the base, stem and dome of the fixture.
- ③ Remove the protecting package from the pieces taking care to not harm any parts with cutting surfaces or objects. Lay the parts of the fixture on some horizontal surface in order to connect them.
- ④ Fit the connector with its relative terminal and once the connector is plugged, carefully insert the connector and excess cable inside the inferior wooden base, then fit the wooden stem in the same base.
- ⑤ Tighten the supplied locking screw on the bottom of the base in order to lock the wooden stem to it, fixing the stem to the base.
- ⑥ Once the base and stem are assembled, stand up the fixture to assemble the dome. Unscrew the E26 socket's ring and fit the dome in the same socket.
- ⑦ Thread the socket ring back until it's tight so that the dome is completely assembled and stable.
- ⑧ Install a standard E-26 base lightbulb (not included) into the socket within the luminaire. Choose a UL Listed lightbulb that does not touch the shade and does not exceed the maximum wattage rating. (25W)
- ⑨ Plug it into a proper electrical outlet.

Your luminaire is now ready for use.

USER INSTRUCTIONS

Use the floor switch to turn the fixture ON and OFF.

ATTENTION!



FAILURE TO COMPLY WITH THESE INSTRUCTIONS MAY CAUSE ACCIDENTS AND LOSS OF PRODUCT WARRANTY. It's recommended to read these instructions completely and carefully before proceeding.

SAVE THESE INSTRUCTIONS FOR FUTURE REFERENCE.

ACCORD Lighting guarantees coverage against manufacturing defects including electrical components and finishes, for a period of three years, under normal use, from the date of purchase. For warranty service, please contact your local dealer for further instructions. Proof of date of purchase will be required for validation of warranty service.

The responsibility of the manufacturer regarding the product warranty is related to the correct observation of the instructions contained in this manual. The manufacturer is not responsible for any damage to the product caused by accidents, alterations of any kind, improper usage or improper installation. See the website for additional warranty details.

ACCORD Lighting reserves the right to change the dimensions and specifications contained in this manual without prior notice, in accordance with its policy of continuous product improvement. Please, contact the manufacturer if additional information is necessary. The illustrations in this manual are for guidance only and may vary in scale, dimensions and model details.