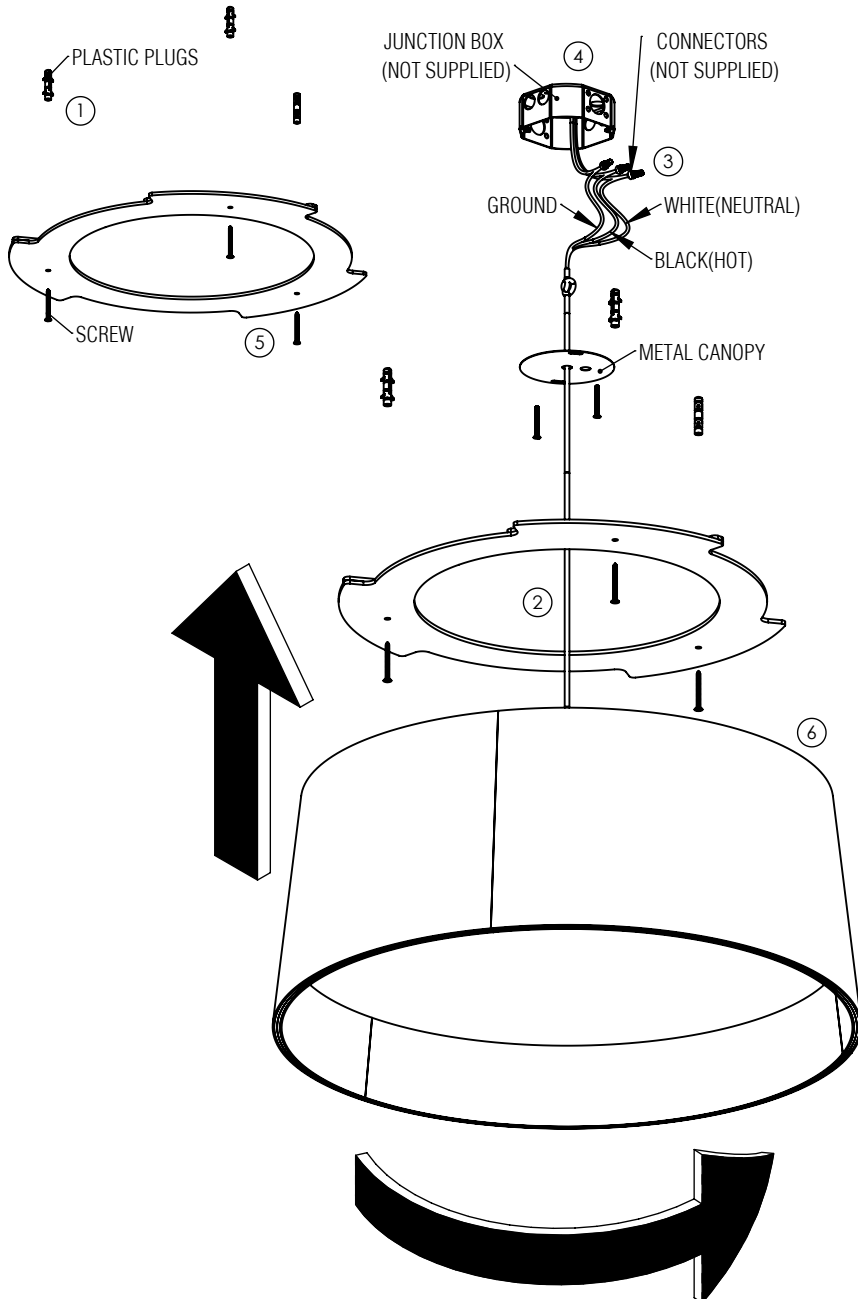


**WARNING!**



Be sure electrical power is OFF before and during installation or maintenance.  
The luminaire must be installed by a qualified electrician, in accordance with all applicable local codes.

Ensure that the rated luminaire voltage requirements are compatible with the available mains supply in which it will be installed.  
All LEDs are included in your lamp. Never touch the LED surface with your bare hands as this may reduce the life of your LED.  
Do not alter, relocate or remove any electrical component.



Line: Conical  
Family: Plafon  
Description: Conical Accord Ceiling Mounted 5098  
Material: Natural Wood Veneer MDF and Acrylic  
Weight:

**MAKING ELECTRICAL CONNECTIONS**

- ① Align and mark on ceiling the positions of holes using a led base as drilling template. Make the holes with a 8mm drill and install the provided plastic bushing.
- ② Insert electrical cable through the metal canopy and crossbar.
- ③ Connect the electrical supply wires to the junction box in accordance to all applicable local codes, as shown in the diagram.
- ④ After electrical connections are made, place excess wire inside of the junction box.

**MOUNTING ON THE FIXTURE**

- ⑤ Attach the support base to the ceiling using the supplied screws into the installed plastic wall plugs.
- ⑥ Raise the shade so that the three gaps are above the tabs of the support base. Rotate and lower the shade so that it rests on the installed base.

Turn ON electrical power.

Your luminaire is now ready for use.

**DIMMER COMPATIBILITY**

The LED driver included with this fixture is designed to operate with most standard dimmers. All power ratings and installation instructions from dimmer manufacturers' instruction sheets must be followed.

**ATTENTION!**



FAILURE TO COMPLY WITH THESE INSTRUCTIONS MAY CAUSE ACCIDENTS AND LOSS OF PRODUCT WARRANTY.  
It's recommended to read these instructions completely and carefully before proceeding.

**SAVE THESE INSTRUCTIONS FOR FUTURE REFERENCE.**

ACCORD Lighting guarantees coverage against manufacturing defects including electrical components and finishes, for a period of three years, under normal use, from the date of purchase. For warranty service, please contact your local dealer for further instructions. Proof of date of purchase will be required for validation of warranty service.

The responsibility of the manufacturer regarding the product warranty is related to the correct observation of the instructions contained in this manual. The manufacturer is not responsible for any damage to the product caused by accidents, alterations of any kind, improper usage or improper installation. See the website for additional warranty details.

ACCORD Lighting reserves the right to change the dimensions and specifications contained in this manual without prior notice, in accordance with its policy of continuous product improvement. Please, contact the manufacturer if additional information is necessary. The illustrations in this manual are for guidance only and may vary in scale, dimensions and model details.