

539
LED-UL



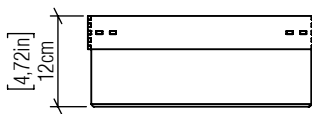
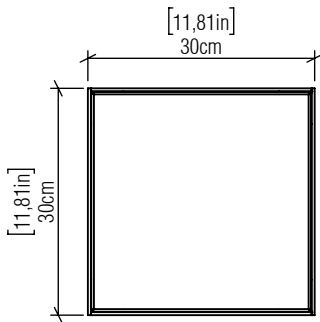
Project name:
Date: Specifier:
Line: Clean
Family: Ceiling
Description: Clean Accord Ceiling Mounted 539

Material: Natural Wood Veneer MDF and Acrylic
Weight:

Integrated LED Module 1 unit Driver housed in Junction box
Dimmable, 0-10V & TRIAC/ELV

Color Temperature: 2700K, 3000K, 3500K or 4000K
CRI: 90
Luminous Flux: 3000lm
Delivered Lumens: 1500lm
Total Power: 40W

Input Voltage: 110V - 277V
Input Frequency: 60 Hz
Isolation: Class II



FINISHING OPTION:

	02 MATTE BLACK		27 GOLD
	06 IMBUIA		29 TEAL
	07 WHITE		30 OLIVE GREEN
	09 LOURO FREIJÓ		31 FERRARI RED
	12 TEAK		32 COPPER
	15 CAPPUCCINO		33 BRONZE
	18 AMERICAN WALNUT		34 MAPLE
	22 GLOSSY BLACK		38 PALE GOLD
	25 IREDESCENT WHITE		39 LEAD GREY
	26 LIGHT PINK		40 SATIN BLUE