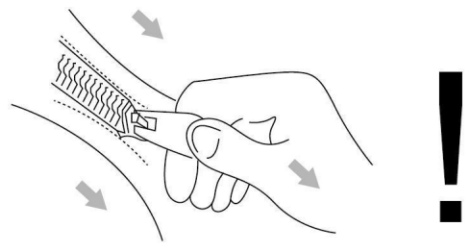
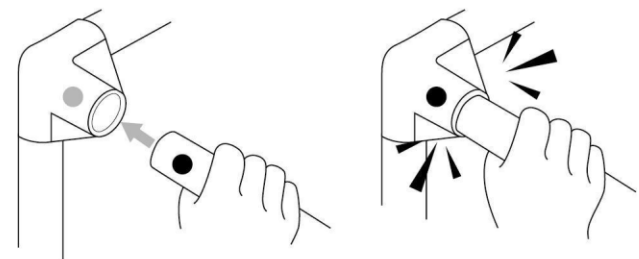
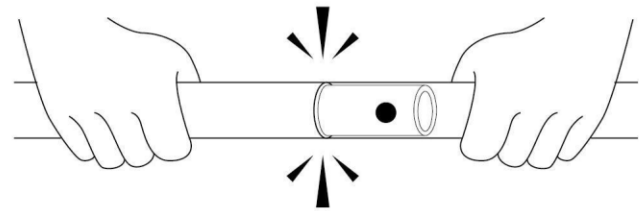
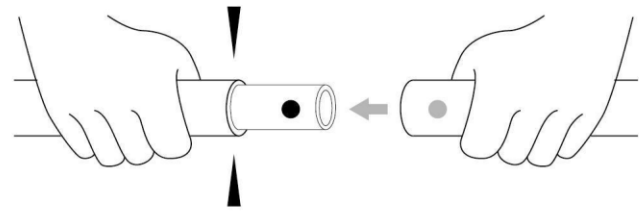


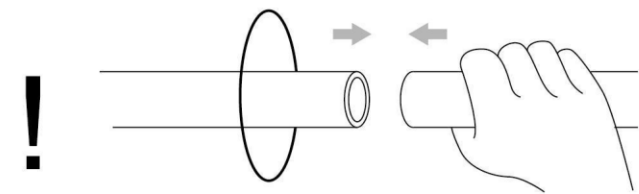
# BudBox LITE™

## Assembly Guide

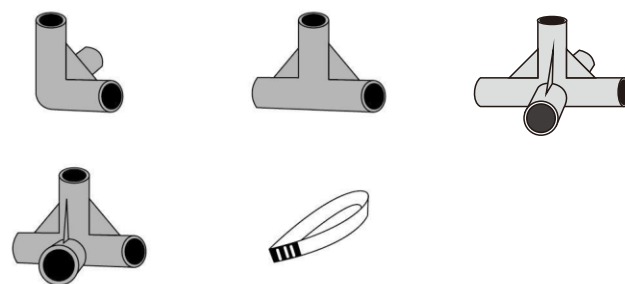
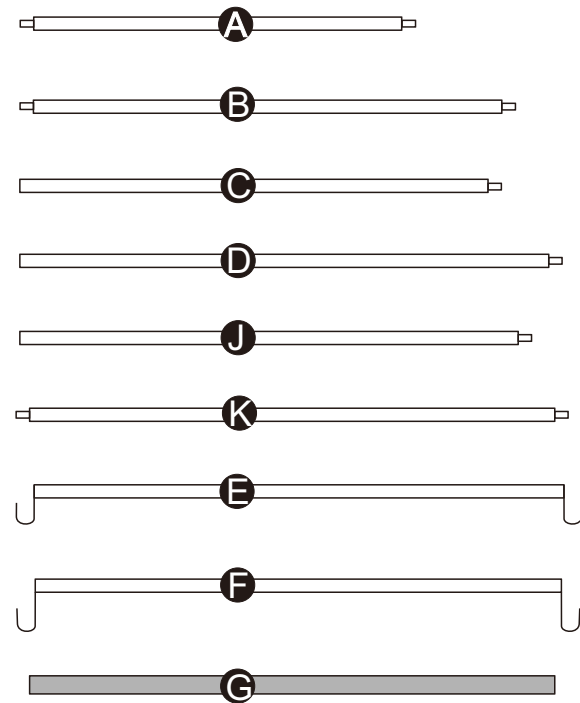


240X240X200 300X300X200 300X200X200

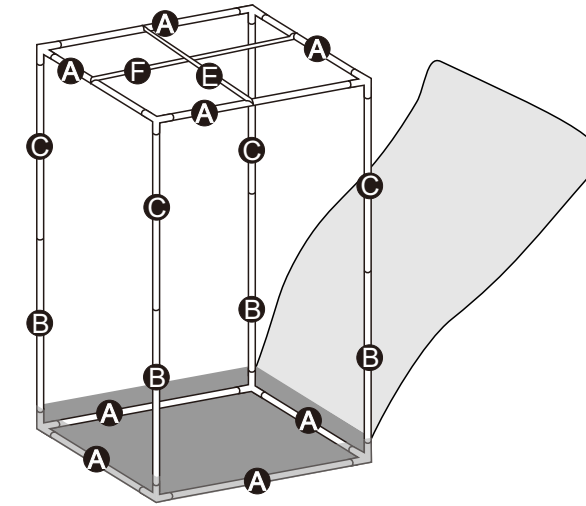
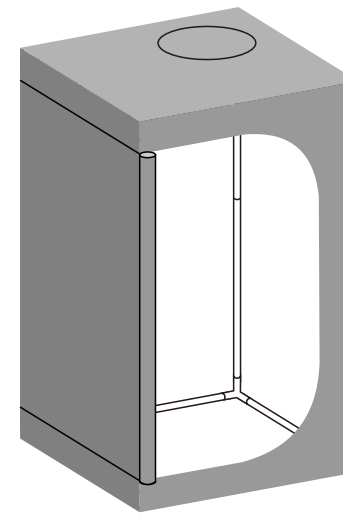
Range only - roof assembly supports:



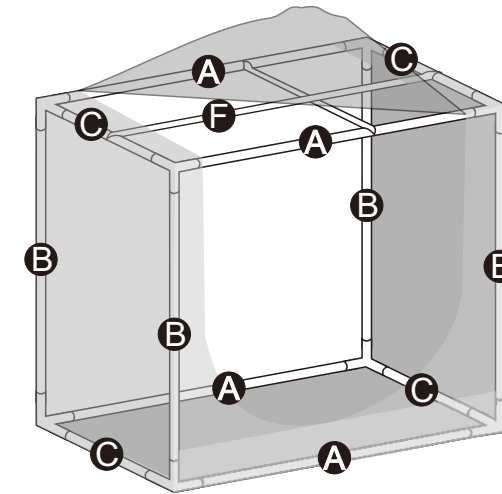
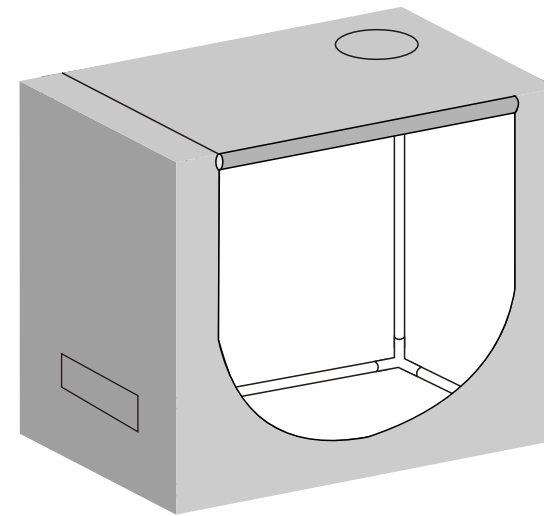
1. Lay out cover with bottom on floor
2. Undo all zips
3. Build frame into base of cover
4. Build frame from floor up
5. Carefully position roof cover over top of frame, from the back to the front
6. Zip up



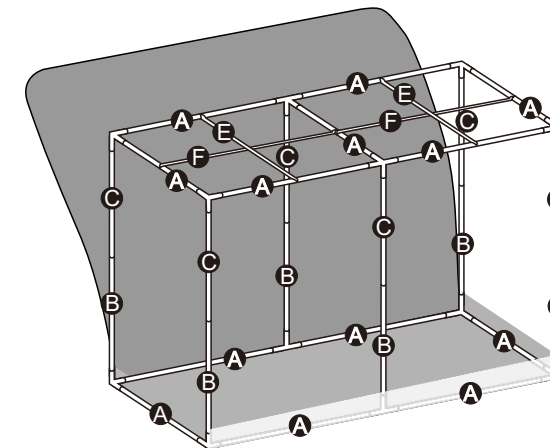
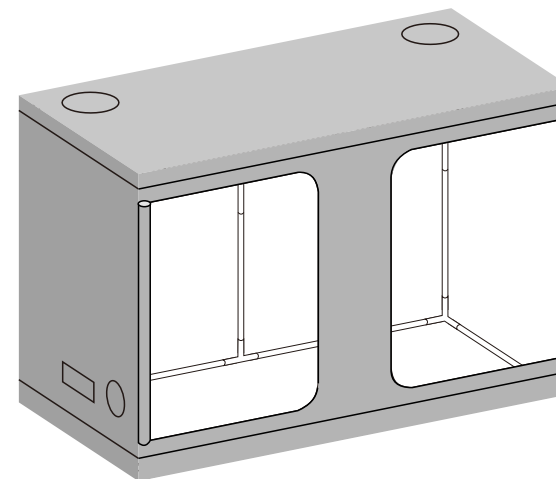
Quantities of each dependant on product type/size



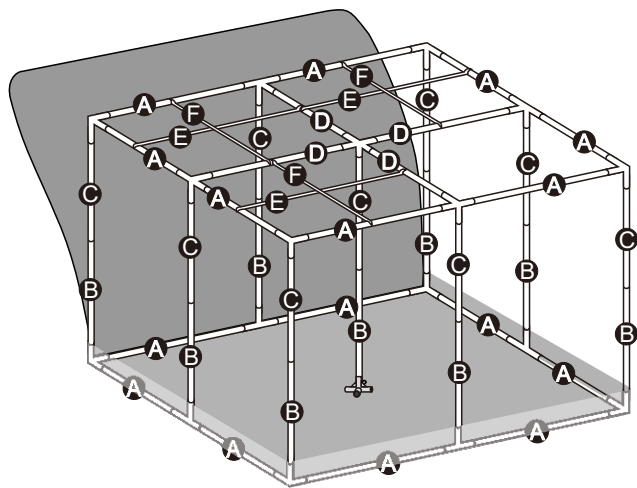
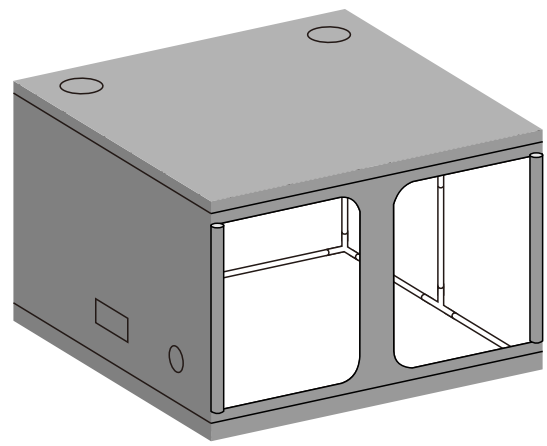
- ◀ 40X40X120
- ◀ 60X60X140
- ◀ 80X80X160
- ◀ 80X80X200
- ◀ 100X100X180
- ◀ 100X100X200
- ◀ 120X120X180
- ◀ 120X120X200
- ◀ 150X150X200



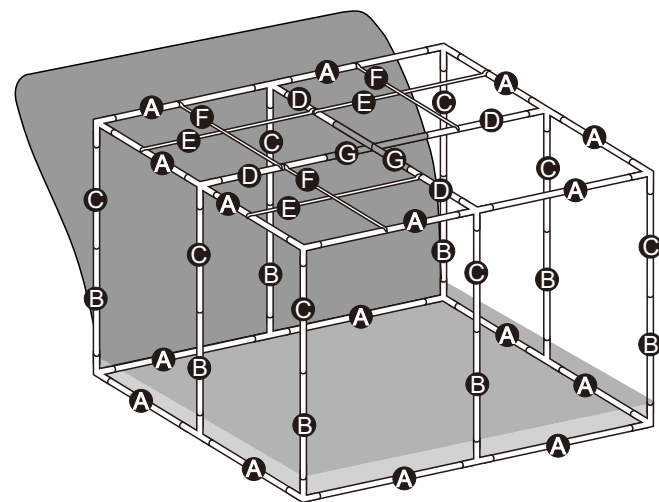
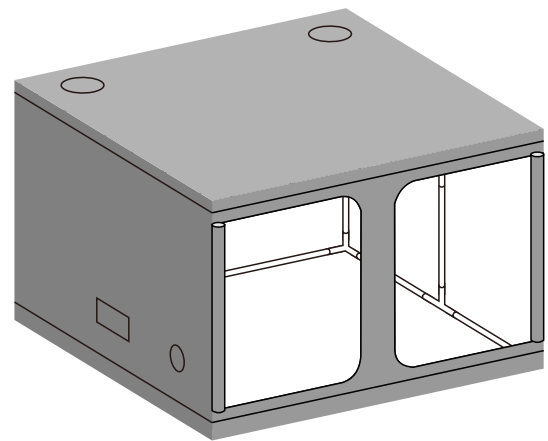
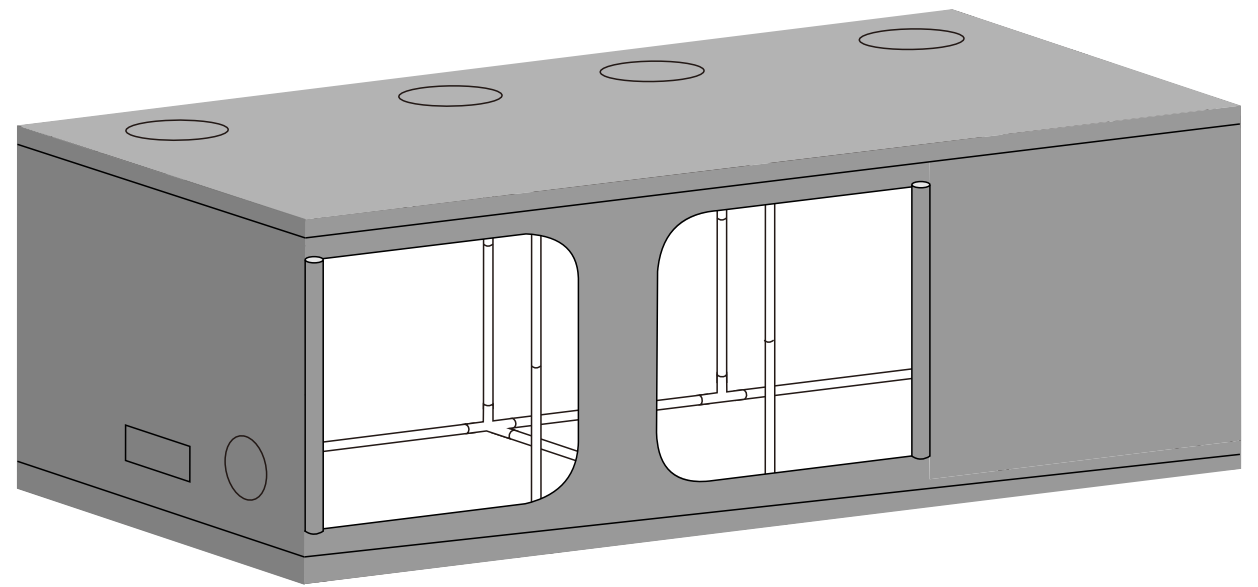
◀ 90X60X90



- ◀ 240X120X200
- ◀ 300X150X200

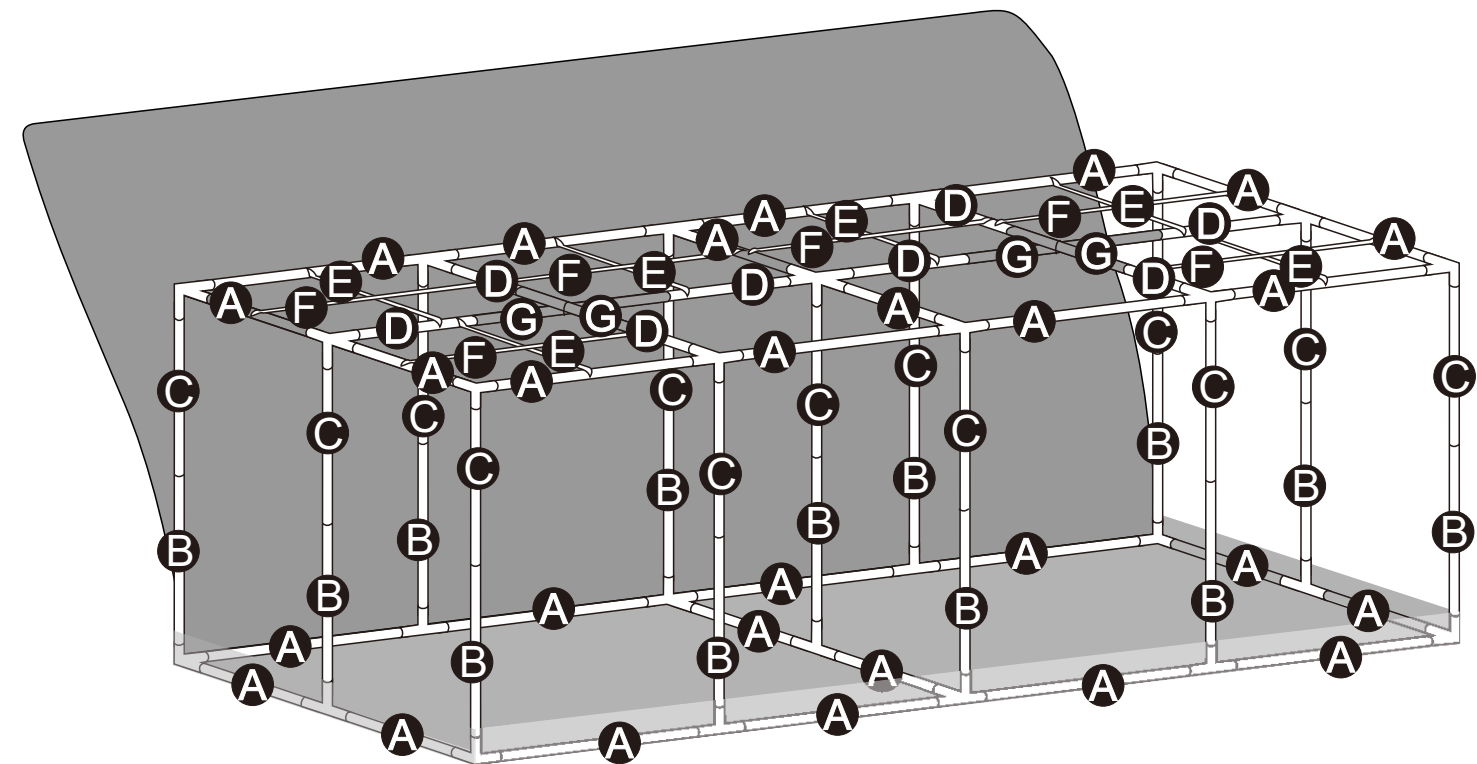


◀ 200X200X200

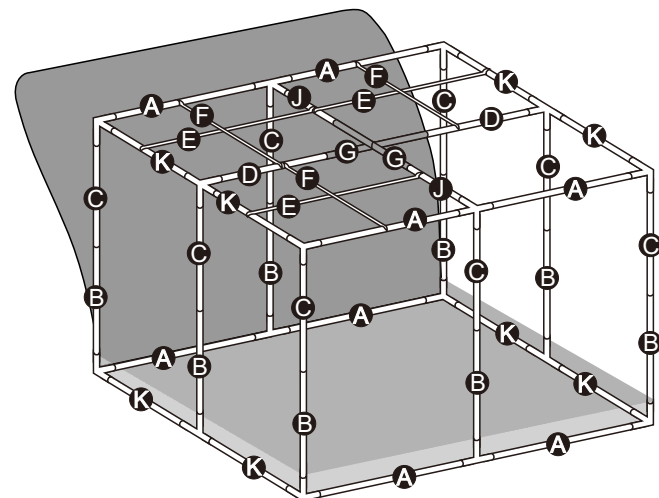
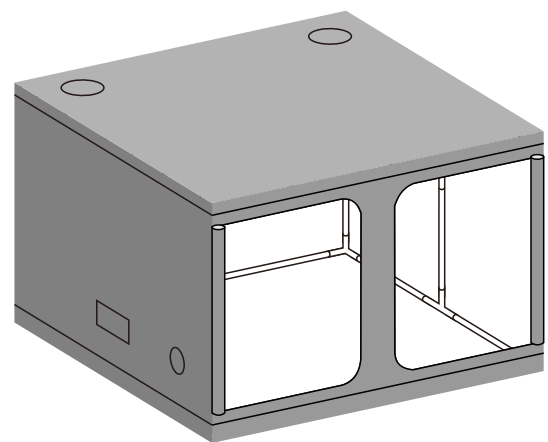


◀ 240X240X200

◀ 300X300X200



◀ 600X300X200



◀ 300X200X200

### Budbox Limited

Mill house-12 Cheltenham Mount - Harrogate  
North Yorkshire HG1 1DL  
United Kingdom

Tel: +44(0)1423506669  
[www.budboxgrowtents.com](http://www.budboxgrowtents.com)  
[info@budboxgrowtents.com](mailto:info@budboxgrowtents.com)

