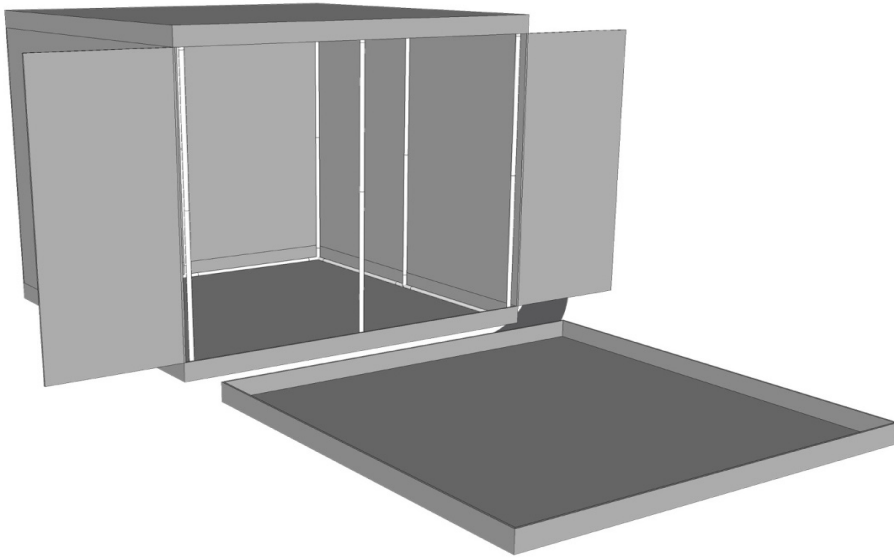


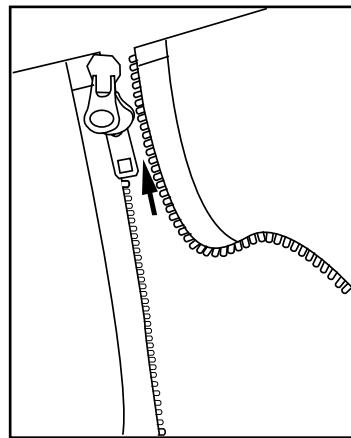
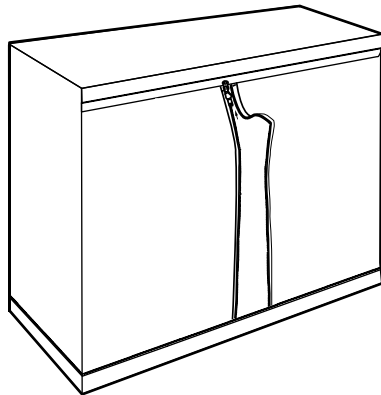
## Step 10

Place floor tray/liner inside the tent floor and secure to Velcro pieces of the tent cover.



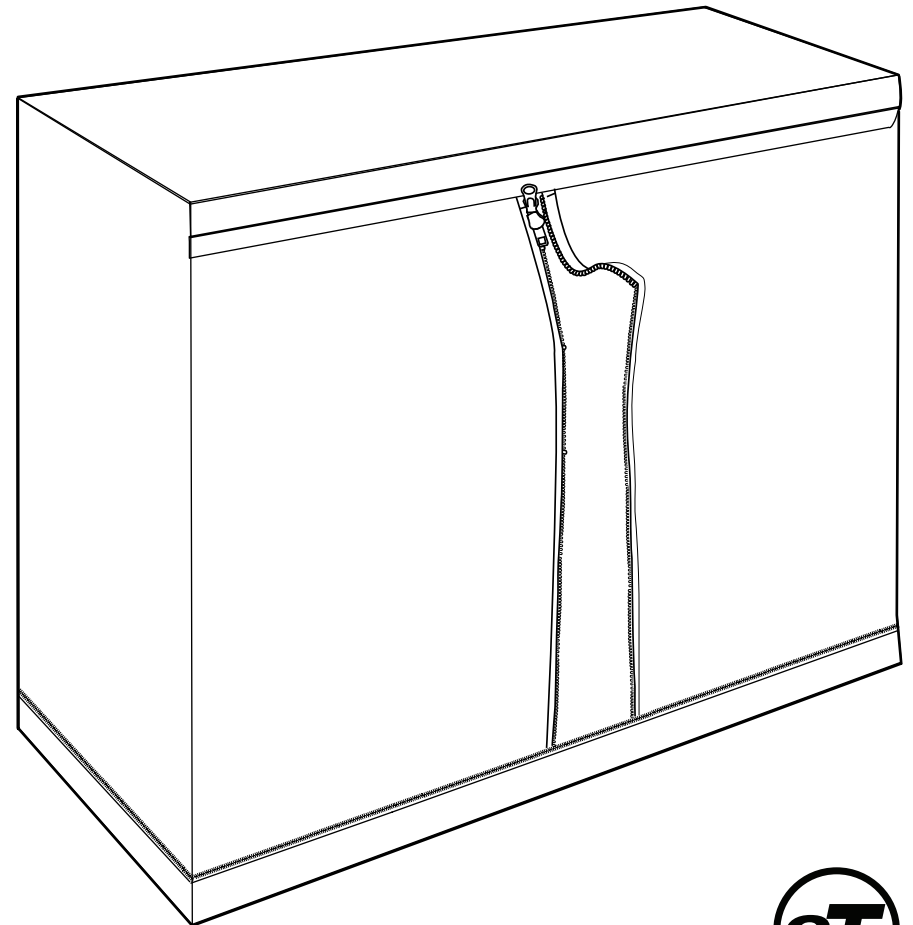
## Step 11

Close all zippers. All parts have been assembled.



Grow tent ASSEMBLY INSTRUCTIONS

JR - 240240200



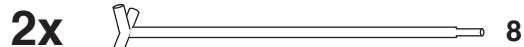
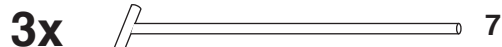
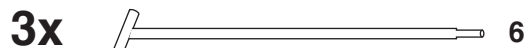
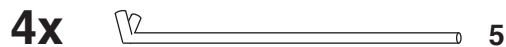
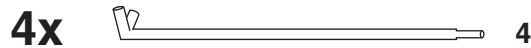
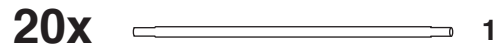
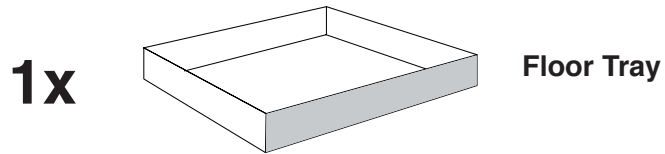
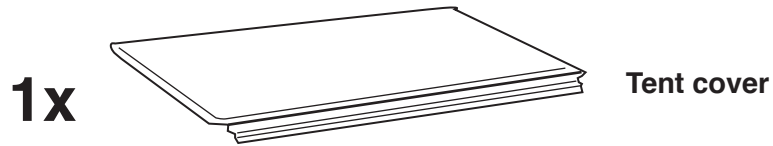
TENT SIZE: Length: 240cm - Width:240cm - Height: 200 cm





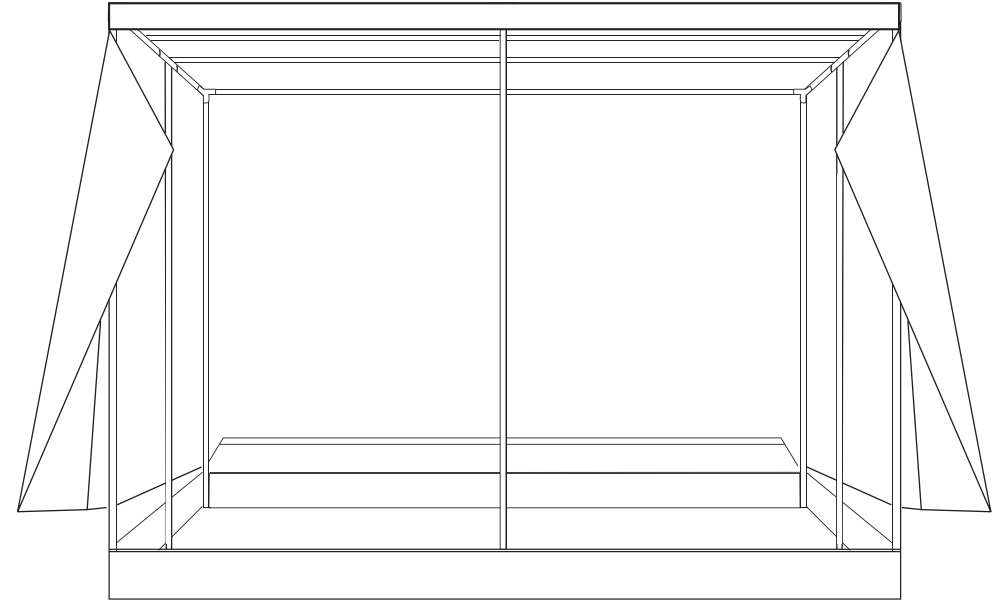
**No tools required**

## Parts list



## Step7

Gently pull up the back of the tent cover such that the two upper back corners of the cover are squarely in place. Note that having a helper makes this process easier.



## Step8

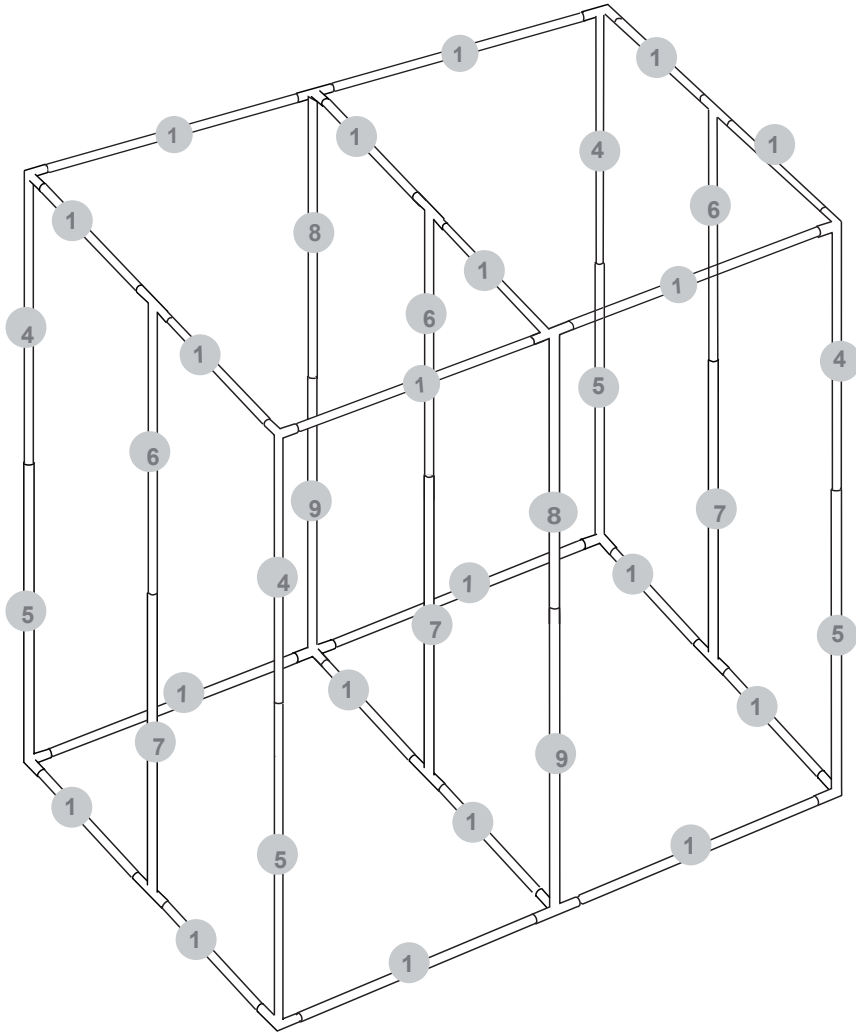
Gently pull the "roof" of the tent to cover the two upper front corners

## Step9

Gently wriggle/adjust all eight corners until cover is square against the frame

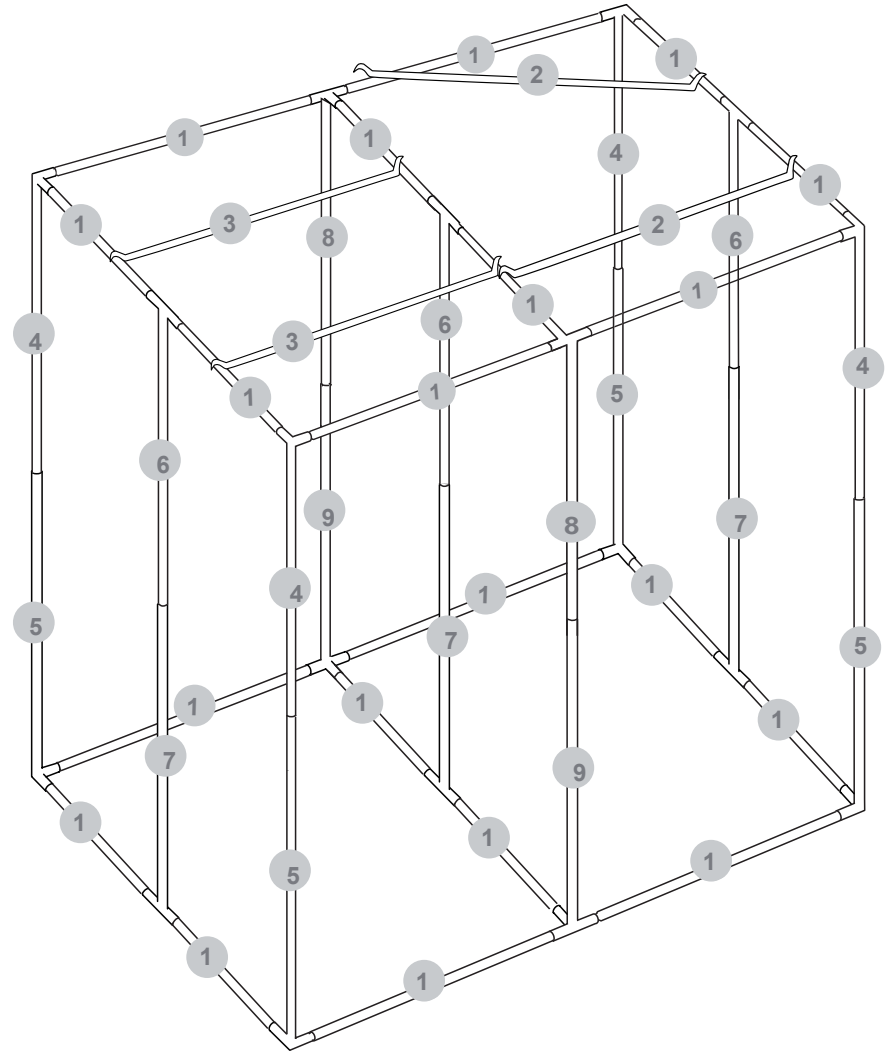
# Step3

Assemble remaining parts of the frame as shown below, once the frame is assembled, make sure that all the poles are fully inserted into the corners.



# Step4

Place hanging poles 2 and 3 on top of the frame.

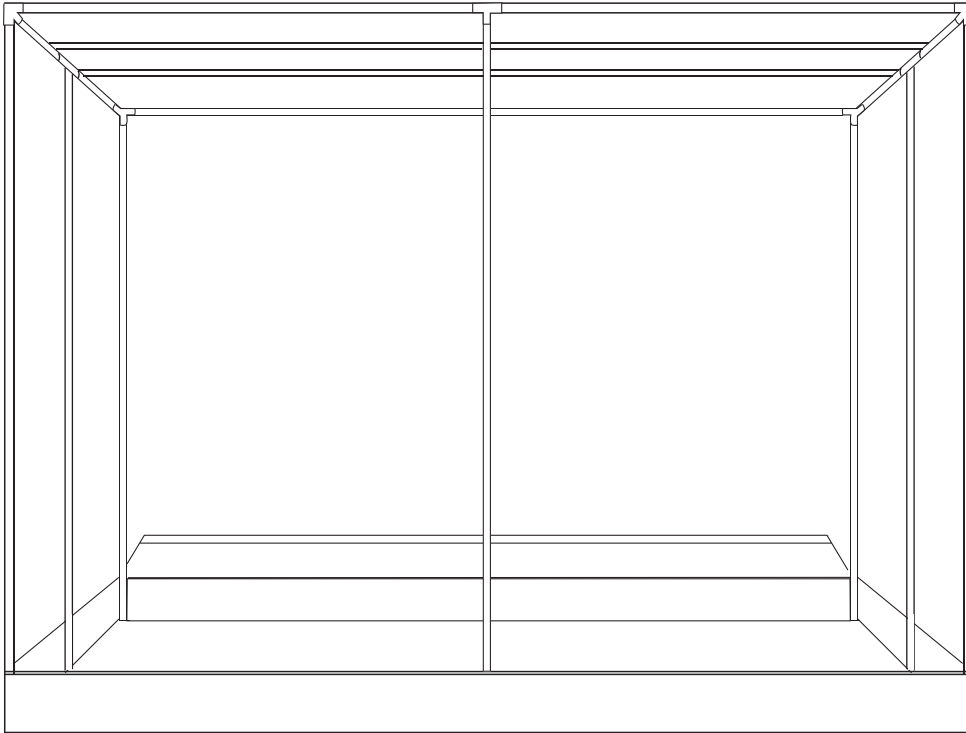


## Step5

Unzip all zippers of the tent cover all the way.

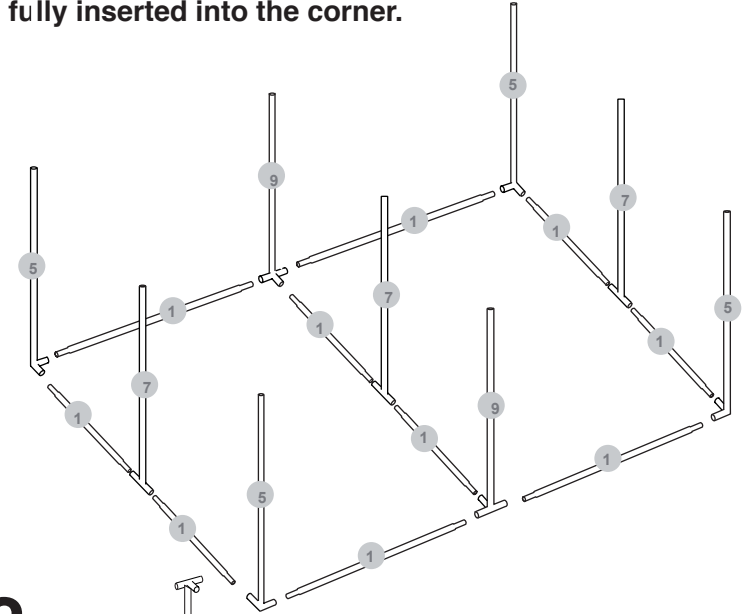
## Step6

Put frame upright on the base of the tent, making sure that all four corners are inside the base.



## Step1

Assemble the bottom half of the frame as shown, making sure that the poles are fully inserted into the corner.



## Step2

Connect poles as shown

