

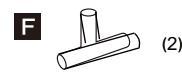
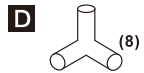
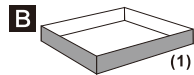


## Assebmly Instructions

For Tent Size : 220x120x200cm  
300x150x200-230cm

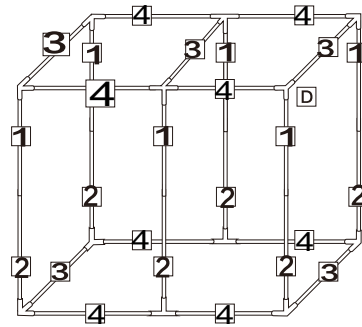
### COMPONENTS

(A)Tent,(B)Floor Tray,(C)Filter Straps,  
(D-F)Corner Adapter,(1-5)Framework Support



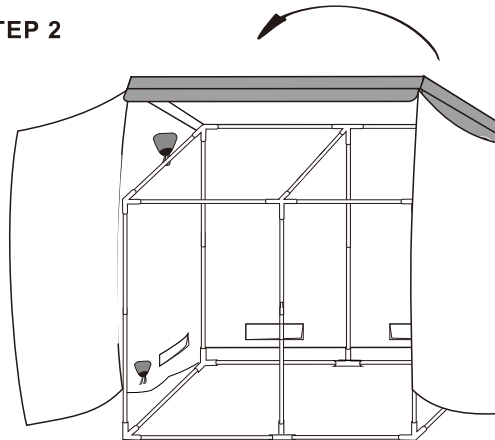
<b>1</b>		6pcs
<b>2</b>		6pcs
<b>3</b>		5pcs
<b>4</b>		8pcs
		4pcs
		2pcs

### STEP 1



Assemble tent frame as above showed.

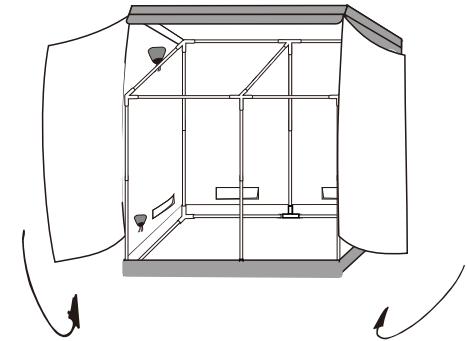
### STEP 2



Unzip all zippers of the tent cover all the way.

First Gently pull up the top of tent shell on the frame  
make sure all corners are squarely in place.  
Having a helper makes this process easier.

### STEP 3



Then pull the bottom of tent shell under  
the base of tent frame properly.  
Put all hanging bars on the top of frame.

